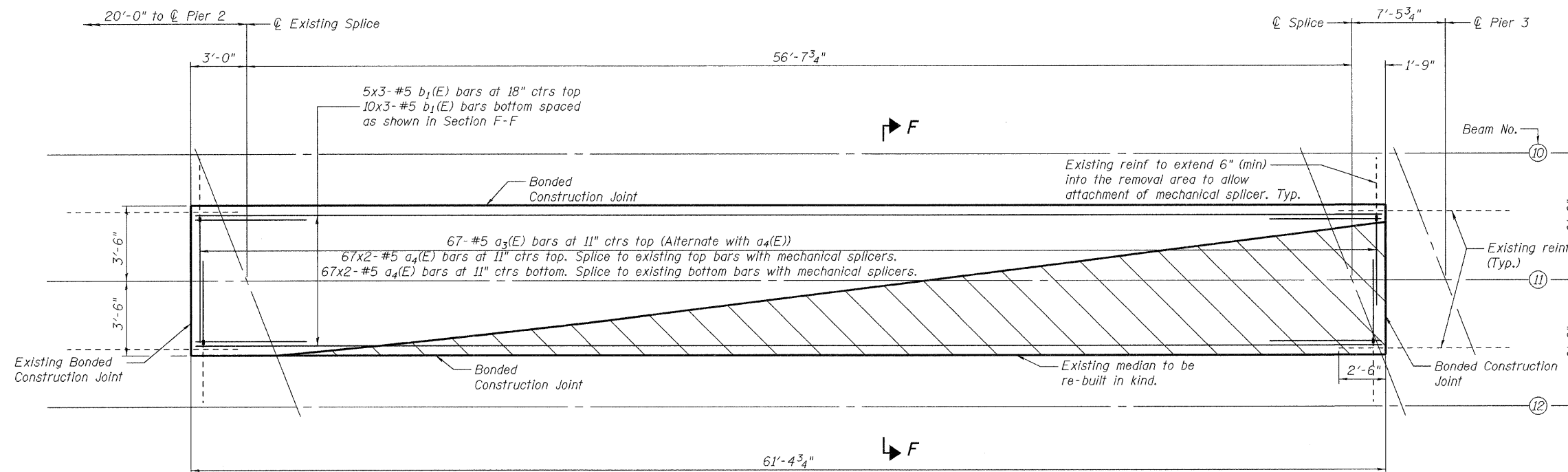
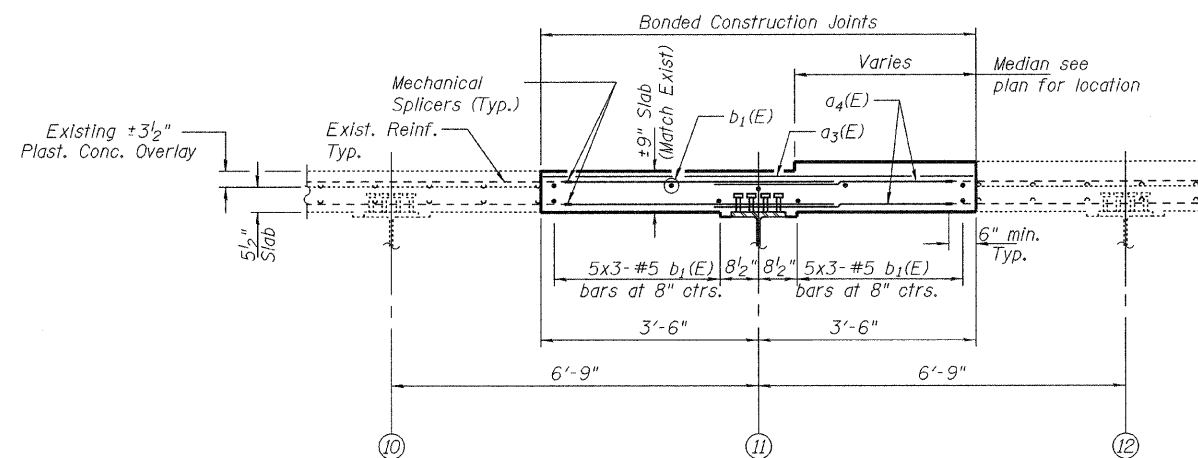


STATE OF ILLINOIS
DEPARTMENT OF TRANSPORTATION



Hatched area indicates existing turning lane median to be removed and replaced monolithically with deck section. Cost included with Concrete Superstructures.



SECTION F-F

BILL OF MATERIAL

| Bar | No. | Size | Length | Shape |
|----------------------------------|-----|------|---------|-------|
| a ₃ (E) | 67 | #5 | 7'-7" | — |
| a ₄ (E) | 268 | #5 | 5'-0" | — |
| b ₁ (E) | 45 | #5 | 22'-0" | — |
| Mechanical Splicers | | | Each | 268 |
| Concrete Removal | | | Cu. Yd. | 12.0 |
| Concrete Superstructure | | | Cu. Yd. | 12.0 |
| Reinforcement Bars, Epoxy Coated | | | Lbs. | 2,960 |

Reinforcement bars designated (E) shall be epoxy coated.
Bars indicated thus 13 x 3-#4 etc. indicates 13 lines of bars with 3 lengths per line.

MIN. BAR LAPS

#5 Bar = 2'-2"

DECK DETAILS

SN 016-0316

| | |
|----------|------------------|
| DESIGNED | A.T.H. |
| CHECKED | G.G.E. |
| DRAWN | Drew Christopher |
| CHECKED | A.T.H. G.G.E. |

January 22, 2010
EXAMINED *Carl Perry*
ENGINEER OF STRUCTURAL SERVICES
PASSED *Ralph E. Anderson*
ENGINEER OF BRIDGES AND STRUCTURES

| | | | | | |
|---------------------|--------------------|------------|------------------|--------------|-----------|
| SHEET NO. 4 | F.A.I. RTE. | SECTION | COUNTY | TOTAL SHEETS | SHEET NO. |
| | 55 | 2009-070BR | Cook | 17 | 7 |
| 5 SHEETS | CONTRACT NO. 60H78 | | | | |
| FED. ROAD DIST. NO. | | ILLINOIS | FED. AID PROJECT | | |