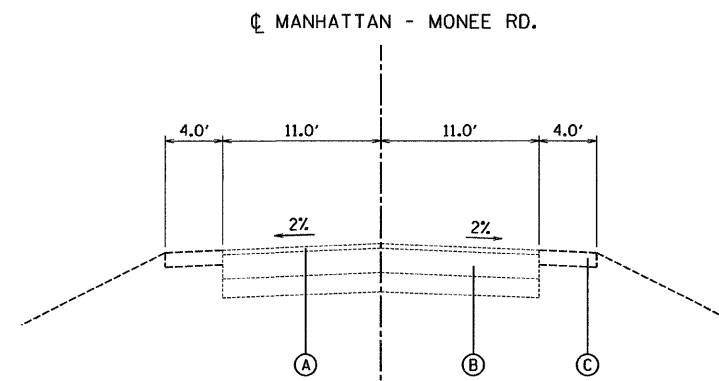
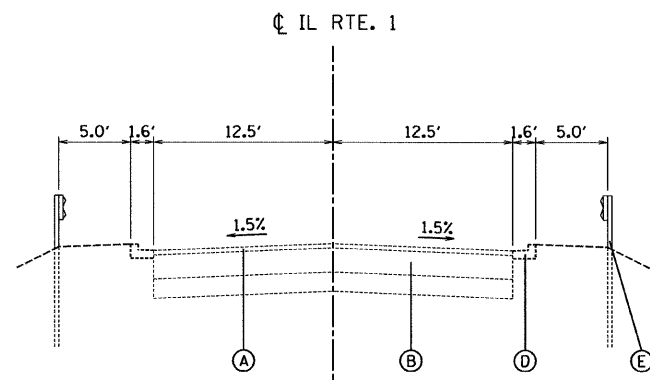


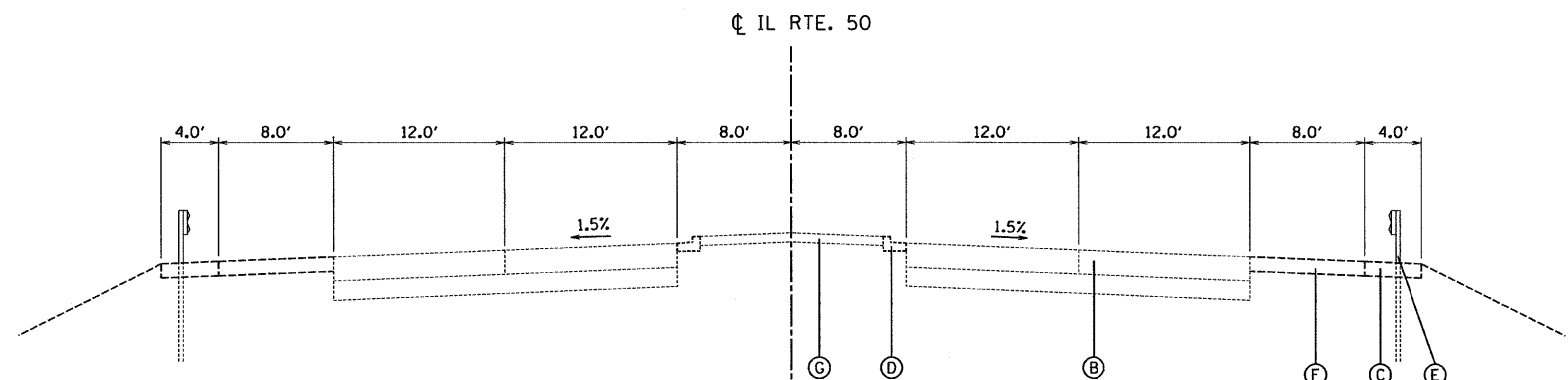
EXISTING TYPICAL SECTION  
VARIOUS LOCATIONS



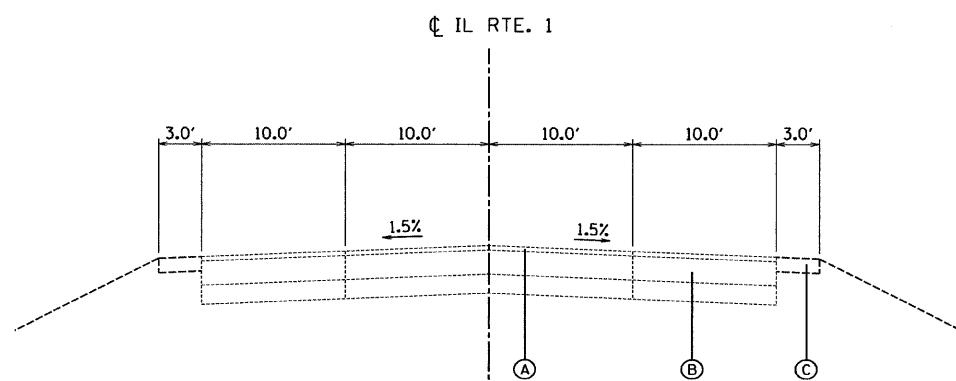
EXISTING TYPICAL SECTION  
BETWEEN GREEN GARDEN ROAD AND 96TH AVENUE



EXISTING TYPICAL SECTION  
IL RTE. 1 AT W. EAGLE LAKE ROAD



EXISTING TYPICAL SECTION  
VARIOUS LOCATIONS



EXISTING TYPICAL SECTION  
AT BALMORAL PARK ENTRANCE

EXISTING CONDITIONS:

- (A) HOT-MIX ASPHALT SURFACE
- (B) CONCRETE PAVEMENT
- (C) AGGREGATE SHOULDER
- (D) CURB AND GUTTER
- (E) GUARDRAIL
- (F) HOT-MIX ASPHALT SHOULDER
- (G) CONCRETE MEDIAN SURFACE

FILE NAME =	USER NAME = USER.	DESIGNED - EF	REVISED -
*FILEL*		DRAWN - EF	REVISED -
	PLOT SCALE = 50.0000' / IN.	CHECKED - RS	REVISED -
	PLOT DATE = 11/23/2009	DATE - 11/13/2009	REVISED -

STATE OF ILLINOIS  
DEPARTMENT OF TRANSPORTATION

GUARDRAIL IMPROVEMENTS - EASTERN WILL COUNTY  
TYPICAL SECTIONS

SCALE: NTS SHEET NO. 1 OF 1 SHEETS STA. TO STA.

F.A. RTE.	SECTION	COUNTY	TOTAL SHEETS	SHEET NO.
	2009-092GRR	WILL	18	4
			CONTRACT NO. 60145	
ILLINOIS FED. AID PROJECT				