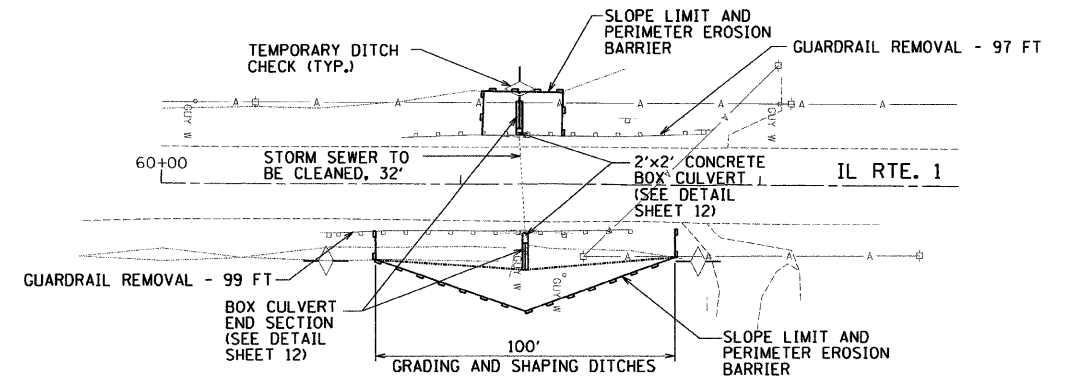
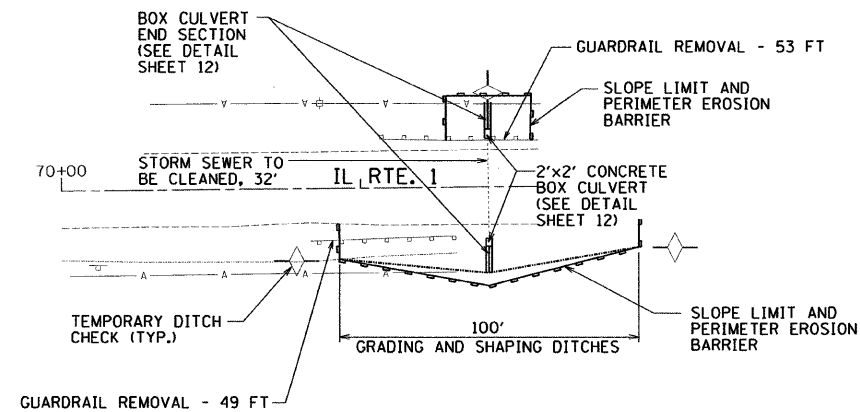


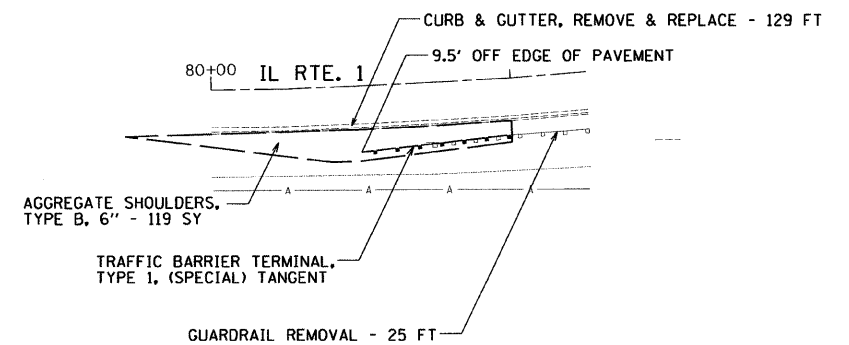
IL 1-5



IL 1-6



IL 1-7



IL 1-8

|             |                             |                   |           |
|-------------|-----------------------------|-------------------|-----------|
| FILE NAME = | USER NAME = .USER.          | DESIGNED - AR     | REVISED - |
| #FILE#      |                             | DRAWN - AR        | REVISED - |
|             | PLDT SCALE = 30.0000' / IN. | CHECKED - RS      | REVISED - |
|             | PLDT DATE = 11/20/2009      | DATE - 11/13/2009 | REVISED - |

STATE OF ILLINOIS  
DEPARTMENT OF TRANSPORTATION

GUARDRAIL IMPROVEMENTS - EASTERN WILL COUNTY  
ROADWAY PLANS

SCALE: 30 SHEET NO. 2 OF 5 SHEETS STA. TO STA.

|                           |              |        |              |           |
|---------------------------|--------------|--------|--------------|-----------|
| F.A. RTE.                 | SECTION      | COUNTY | TOTAL SHEETS | SHEET NO. |
|                           | 2009-092 GRR | WILL   | 18           | 6         |
| CONTRACT NO. 60145        |              |        |              |           |
| ILLINOIS FED. AID PROJECT |              |        |              |           |