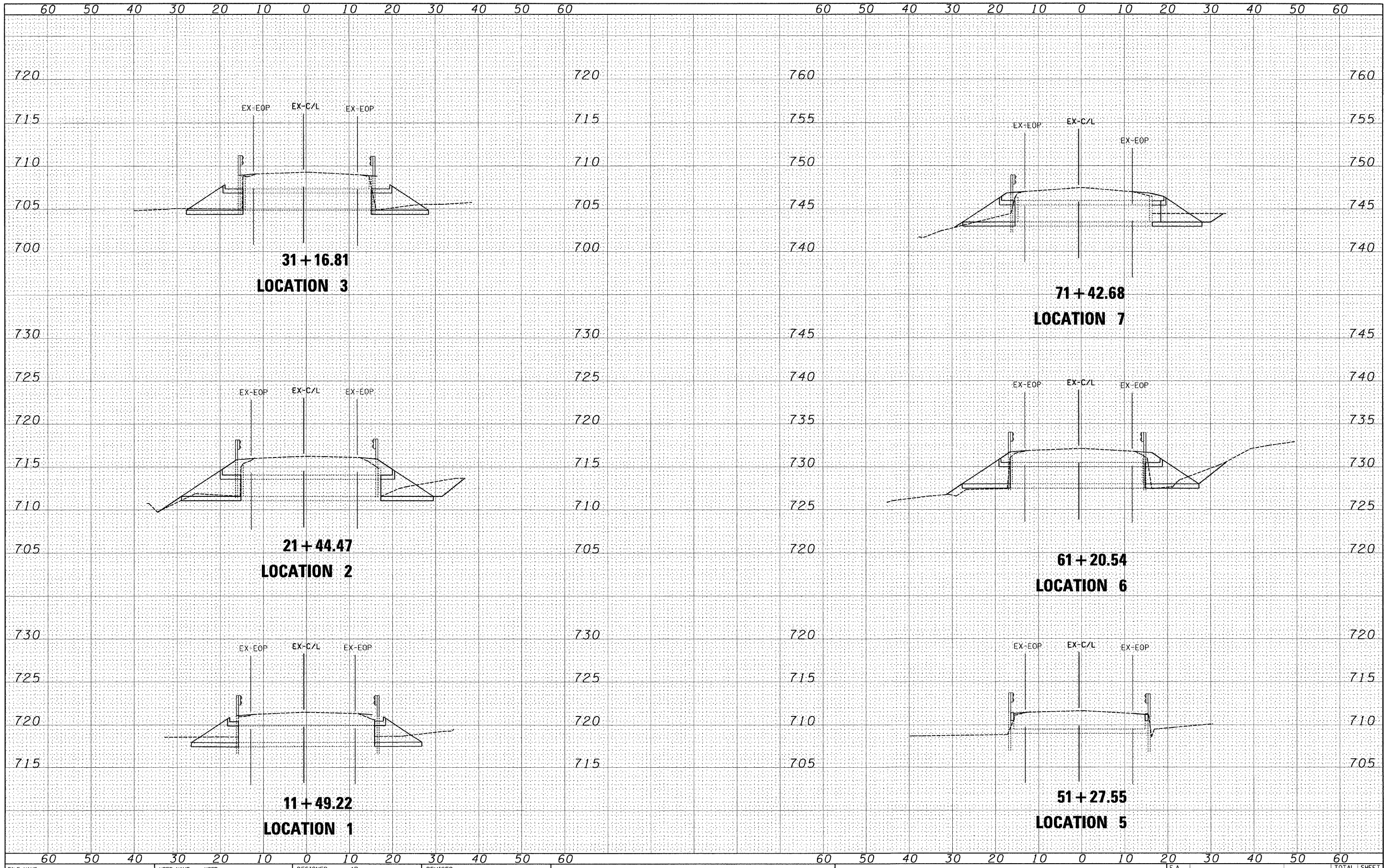


DATE	
BY	
DESIGNED	
DRAWN	
CHECKED	
DATE	
NO.	
FINAL SURVEY	
NOTE BOOK	
NO.	
DESIGNED	
DRAWN	
CHECKED	
DATE	
NO.	

DATE	
BY	
DESIGNED	
DRAWN	
CHECKED	
DATE	
NO.	
ORIGINAL SURVEY	
NOTE BOOK	
NO.	
DESIGNED	
DRAWN	
CHECKED	
DATE	
NO.	



FILE NAME =	USER NAME = .USER.	DESIGNED - AR	REVISED -	STATE OF ILLINOIS DEPARTMENT OF TRANSPORTATION	GUARDRAIL IMPROVEMENTS - EASTERN WILL COUNTY IL 1 CROSS SECTIONS				F.A. SHEETS	SECTION	COUNTY	TOTAL SHEETS	SHEET NO.
*FILE#		DRAWN - AR	REVISED -		SCALE:	SHEET NO. 1 OF 2 SHEETS	STA.	TO STA.	2009-092GRR	WILL	18	10	
		CHECKED - RS	REVISED -						CONTRACT NO. 60145				
		DATE - 11/13/2009	REVISED -						ILLINOIS FED. AID PROJECT				