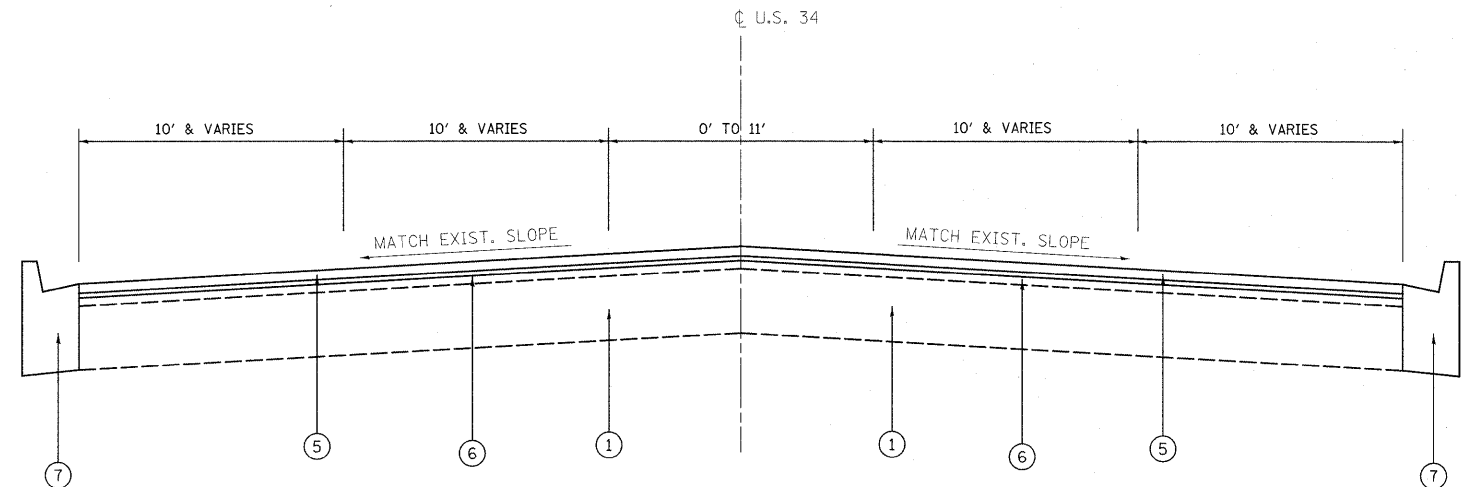


EXISTING TYPICAL SECTION
U.S. 34

STATION:
19+22 to 73+66



PROPOSED TYPICAL SECTION
U.S. 34

STATION:
19+22 to 73+66

LEGEND

- ① EXIST. PCC BASE COURSE, 9''(±)
- ② EXIST. HOT-MIX ASPHALT SURFACE COURSE (BEFORE MILLING), 6 1/2''(±)
- ③ EXIST. CONCRETE CURB AND GUTTER
- ④ PROP. HOT-MIX ASPHALT SURFACE REMOVAL - 2 1/2''
(4'' OF HOT-MIX ASPHALT TO REMAIN)
- ⑤ PROP. POLYMERIZED HOT-MIX ASPHALT SURFACE COURSE, MIX "F", N90, 1 3/4"
- ⑥ PROP. POLYMERIZED LEVELING BINDER (MM), IL-4.75, N50, 3/4"
- ⑦ PROP. CONCRETE CURB AND GUTTER REMOVAL AND REPLACEMENT
(LOCATIONS TO BE DETERMINED BY THE RESIDENT ENGINEER)

NOTES:

1. SEE ROADWAY AND PAVEMENT MARKING PLAN SHEETS FOR LOCATIONS OF LEFT TURN LANES AND PAINTED MEDIANS.
2. MILLING OF THE ROADWAY SHALL BE DONE PRIOR TO PAVEMENT PATCHING.

HOT-MIX ASPHALT MIXTURE REQUIREMENTS

	MIXTURE TYPE	AIR VOIDS (%)
ROADWAY	POLYMERIZED HOT-MIX ASPHALT SURFACE COURSE, MIX "F", N90, (IL-9.5MM), 1 3/4"	4% @ 90 GYR
	POLYMERIZED LEVELING BINDER (MM), IL-4.75, N50, 3/4"	4% @ 50 GYR
PATCHES	CLASS D PATCHES, (BINDER IL-19.0 MM), 13"	4% @ 70 GYR

THE UNIT WEIGHT USED TO CALCULATE ALL HOT-MIX ASPHALT SURFACE MIXTURE QUANTITIES IS 112 LBS/SQ YD/IN

THE "AC TYPE" FOR POLYMERIZED HMA MIXES SHALL BE "SBS/SBR PG 70-22" AND FOR NON-POLYMERIZED HMA THE "AC TYPE" SHALL BE "PG 64-22" UNLESS MODIFIED BY DISTRICT ONE SPECIAL PROVISIONS.

FOR "PERCENT OF RAP" SEE DISTRICT ONE SPECIAL PROVISIONS.