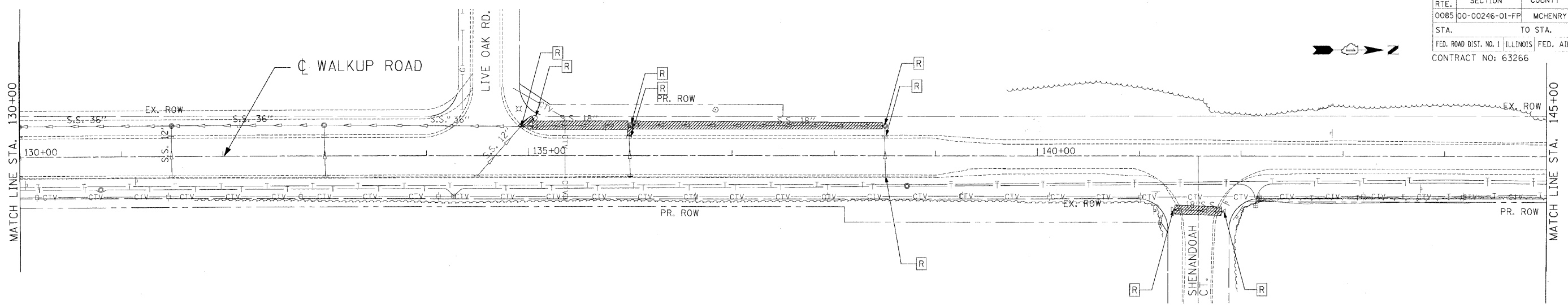
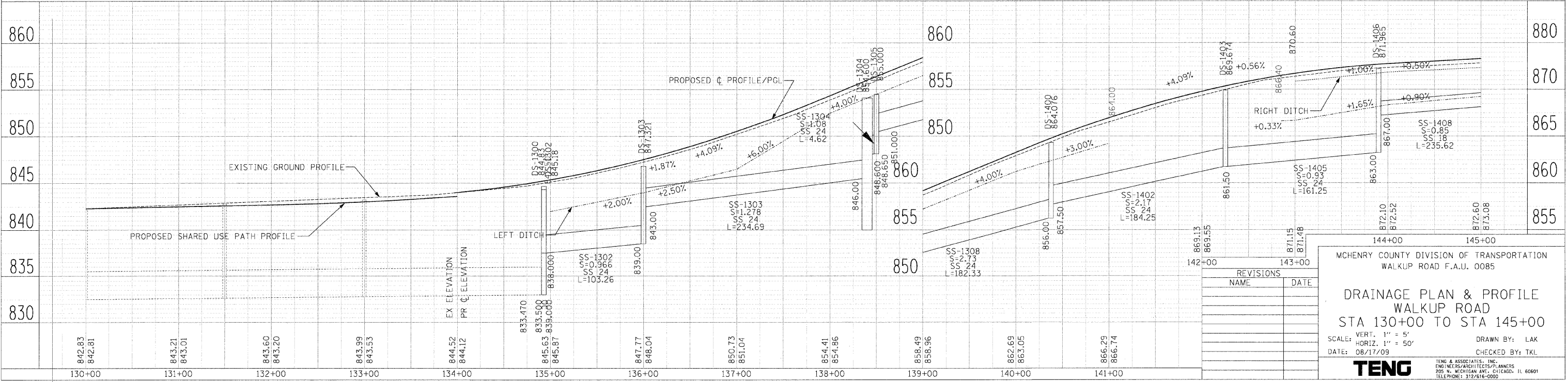
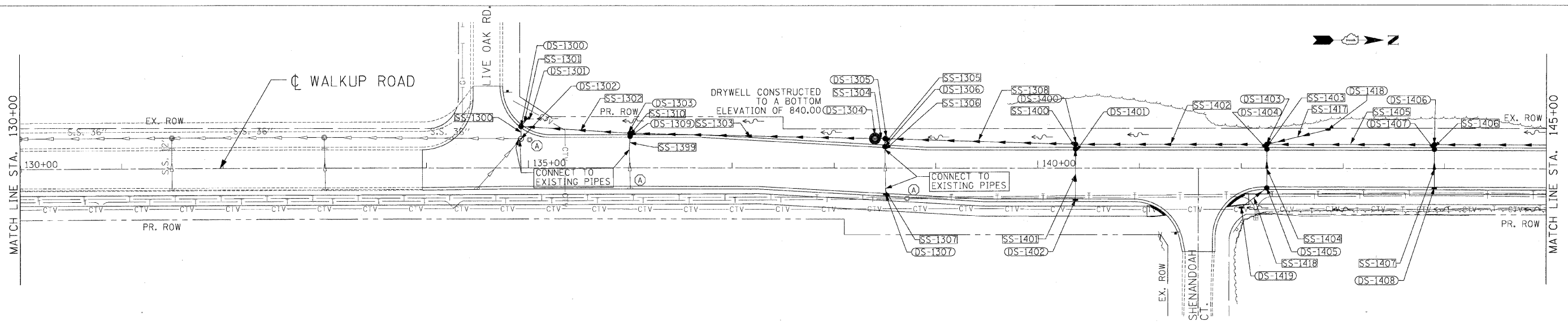


F.A.U. SECTION	COUNTY	TOTAL SHEETS	SHEET NO.
0085 00-00246-01-FP	MCHENRY	236	78
STA.	TO STA.	FED. ROAD DIST. NO. 1 ILLINOIS FED. AID PROJECT	
		CONTRACT NO: 63266	

EXISTING PLAN



PROPOSED PLAN



REVISIONS	
NAME	DATE

MCHENRY COUNTY DIVISION OF TRANSPORTATION  
WALKUP ROAD F.A.U. 0085

**DRAINAGE PLAN & PROFILE**  
WALKUP ROAD  
STA 130+00 TO STA 145+00

SCALE: VERT. 1" = 5'  
HORIZ. 1" = 50'

DATE: 08/17/09

DRAWN BY: LAK  
CHECKED BY: TKL

**TENG**  
ENGINEERS/ARCHITECTS/PLANNERS  
200 N. MICHIGAN AVE. CHICAGO, IL 60601  
TEL: 312.616.0000

PLAN	DATE

PROFILE	DATE

BY: [REDACTED] DATE: [REDACTED]

DATE: 08/17/09

PROJECT: WALKUP ROAD

SCALE: VERT. 1" = 5'  
HORIZ. 1" = 50'

DRAWN BY: LAK  
CHECKED BY: TKL