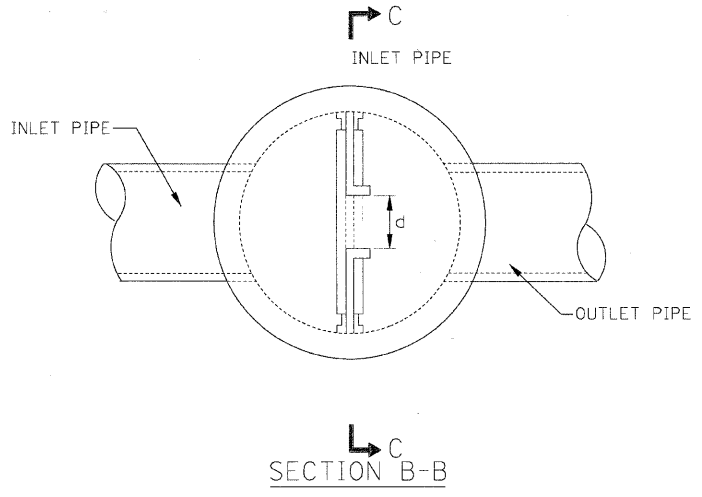
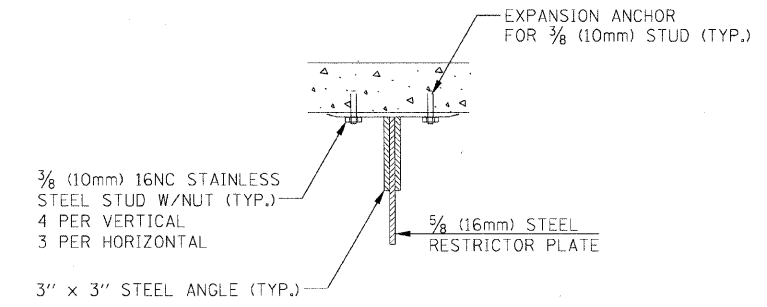


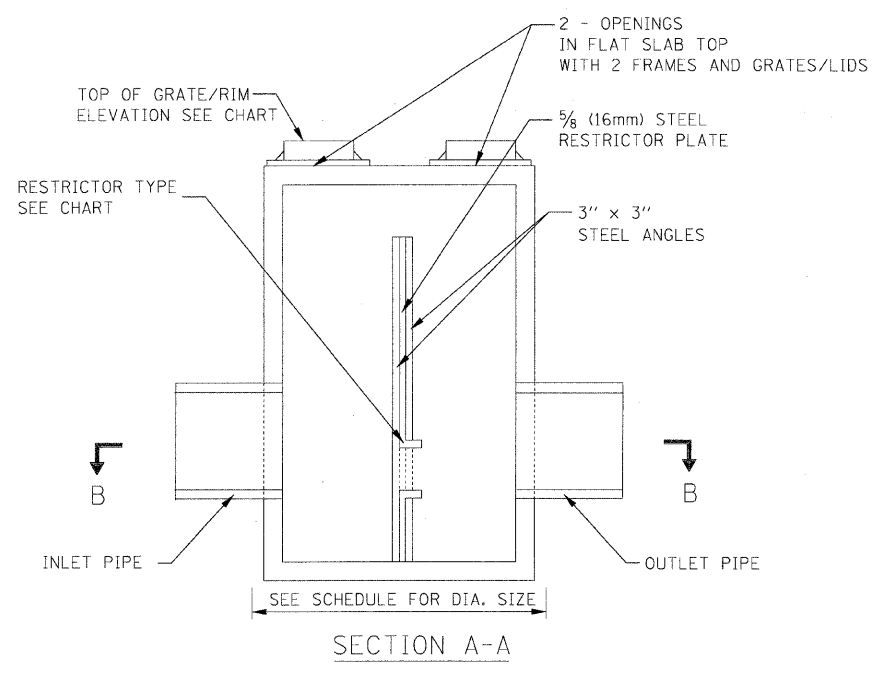
PLAN



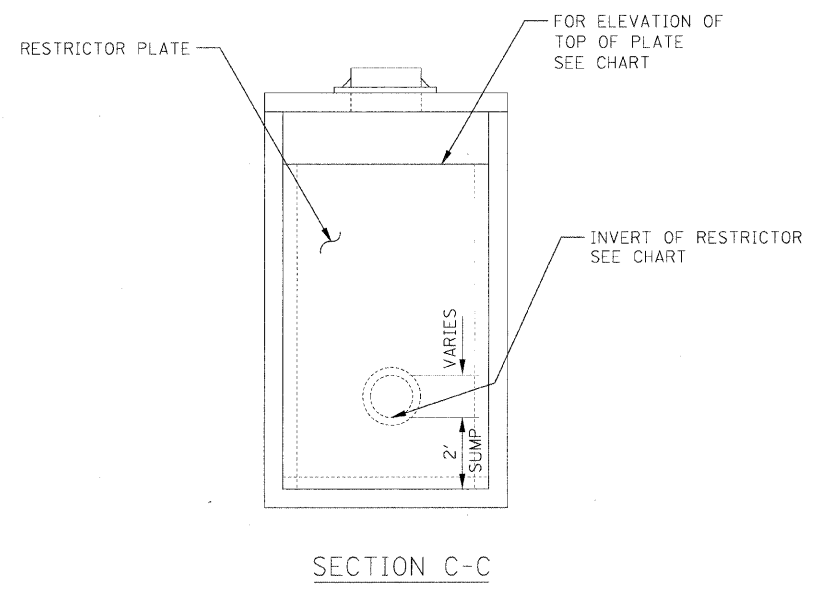
SECTION B-B



ANGLE FASTENER DETAIL



SECTION A-A



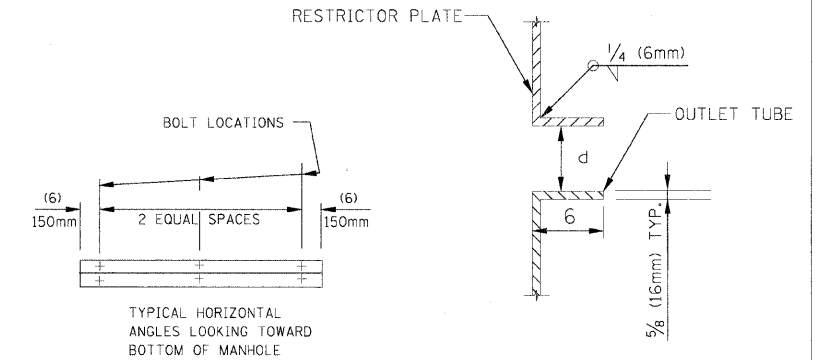
SECTION C-C

ROUND DRAINAGE STRUCTURE WITH RESTRICTOR PLATE
N.T.S.

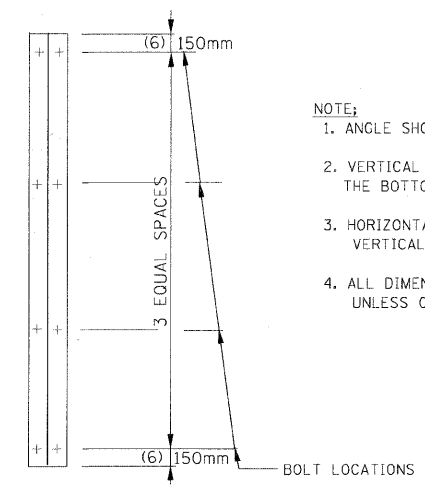
ELEVATION TABLE

STRUCT NO	DIA FOOT	FRAME AND GRATE		REST. TYPE	RESTRICTOR SIZE, DIA.	RESTRICTOR INVERT	ELEVATION OF TOP OF PLATE OVERFLOW	
		TYPE	RIM					
1725	5	T1	CL	870.9	3	4.1"	862.74	869.02
1902	5	T1	CL	878.4	3	5.0"	873.05	876.20
1906	6	T1	CL	878.5	3	5.9"	870.75	876.00
2250	5	T1	CL	860.97	3	10.1"	855.03	858.87

1. ALL STEEL ANGLES AND PLATES TO BE GALVANIZED AFTER FABRICATION
2. ALL RESTRICTOR PLATES, ANGLES AND HARDWARE TO BE INCLUDED IN THE COST OF THE DRAINAGE STRUCTURE.
3. SEE DRAINAGE SCHEDULE FOR PIPE LOCATIONS, INVERTS AND SIZES AND FOR STRUCTURE STATION AND OFFSET

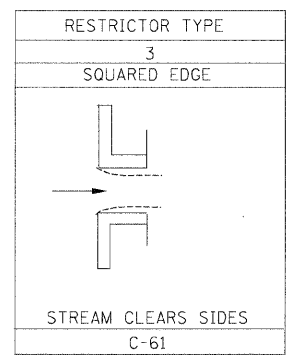


OUTLET TUBE DETAIL



STEEL ANGLE BOLTING DETAILS

- NOTE:
1. ANGLE SHOULD BE 3" x 3" x 3/8"
 2. VERTICAL ANGLE SHOULD EXTEND FROM THE BOTTOM OF THE RESTRICTOR PLATE TO THE TOP
 3. HORIZONTAL ANGLES SHOULD EXTEND FROM VERTICAL ANGLE TO VERTICAL ANGLE
 4. ALL DIMENSIONS ON THIS SHEET ARE IN INCHES UNLESS OTHERWISE NOTED.



REVISIONS	
NAME	DATE

MCHENRY COUNTY DIVISION OF TRANSPORTATION
WALKUP ROAD F.A.U. 0085

**DRAINAGE DETAIL
ROUND STRUCTURE
WITH RESTRICTOR PLATE**

SCALE: N.T.S. DRAWN BY:
DATE: 08/17/09 CHECKED BY:

TENG
TENG & ASSOCIATES, INC.
ENGINEERS/ARCHITECTS/PLANNERS
205 N. MICHIGAN AVE., CHICAGO, IL 60601
TELEPHONE: 312/461-0000

ATTERBY, VACN
 8-4-2009 14:53:48
 I:\DOCUMENT\9390003\CIVIL\DRN\DRN045\T\DWG
 STANK B1
 2 3 4 5 6 7 8 9 10 11 12 13 14 15 16 17 18 19 20 21 22 23 24 25 26 27 28 29 30 31 32 33 34 35 36 37 38 39 40 41 42 43 44 45 46 47 48 49 50 51 52 53 54 55 56 57 58 59 60 61 62 63