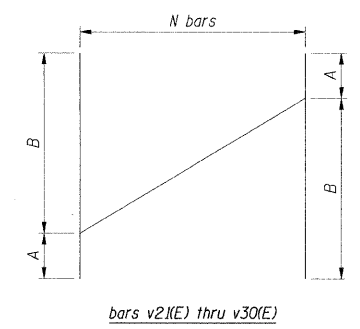


SOLDIER PILE SCHEDULE

SOLDIER PILE DATA					ENCASEMENT DATA			
PILE	SIZE	TOP ELEV.	BOTT. ELEV.	LENGTH (FT)	NO. OF STUDS	DIA. (IN)	TOP ELEV.	LENGTH (FT)
P201	W24x76	932.11	911.11	21.00	10	30	928.04	16.93
P202	W24x76	932.21	911.21	21.00	12	30	927.63	16.42
P203	W24x76	932.29	911.29	21.00	12	30	927.21	15.92
P204	W24x76	932.37	911.37	21.00	12	30	927.00	15.63
P205	W24x76	932.45	911.45	21.00	12	30	927.00	15.55
P206	W24x76	932.54	911.54	21.00	14	30	927.00	15.46
P207	W24x117	932.64	908.64	24.00	14	36	926.79	18.15
P208	W24x117	932.74	908.74	24.00	14	36	926.38	17.63
P209	W24x117	932.86	908.86	24.00	16	36	925.96	17.10
P210	W24x117	932.95	904.95	28.00	16	36	925.53	20.58
P211	W24x117	933.02	905.02	28.00	18	36	925.09	20.07
P212	W24x117	933.09	905.09	28.00	18	36	924.66	19.57
P213	W24x117	933.16	905.16	28.00	20	36	924.22	19.06
P214	W24x117	933.22	904.22	29.00	20	36	924.00	19.78
P215	W24x117	933.29	904.29	29.00	20	36	924.00	19.71
P216	W24x117	933.35	904.35	29.00	20	36	924.00	19.65
P217	W24x117	933.42	904.42	29.00	20	36	924.00	19.58
P218	W24x117	933.48	903.48	30.00	20	36	924.00	20.52
P219	W24x117	933.55	903.55	30.00	22	36	924.00	20.45
P220	W24x117	933.62	903.62	30.00	22	36	924.00	20.38
P221	W24x117	933.68	903.68	30.00	22	36	924.00	20.32
P222	W24x117	933.75	903.75	30.00	22	36	924.16	20.41
P223	W24x117	933.81	903.81	30.00	20	36	924.47	20.66
P224	W24x117	933.88	903.88	30.00	20	36	924.78	20.91
P225	W24x117	933.94	903.94	30.00	20	36	925.09	21.15
P226	W24x117	934.03	906.03	28.00	18	36	925.63	19.60
P227	W24x117	934.11	906.11	28.00	18	36	926.38	20.27
P228	W24x117	934.19	906.19	28.00	16	36	927.13	20.93
P229	W24x76	934.27	910.27	24.00	14	30	927.88	17.61
P230	W24x76	934.33	910.33	24.00	14	30	928.63	18.30
P231	W24x76	934.39	910.39	24.00	12	30	929.38	18.99
P232	W24x76	934.43	915.43	19.00	10	30	929.96	14.53
P233	W24x76	934.47	915.47	19.00	10	30	930.38	14.91
P234	W24x76	934.50	915.50	19.00	10	30	930.79	15.29

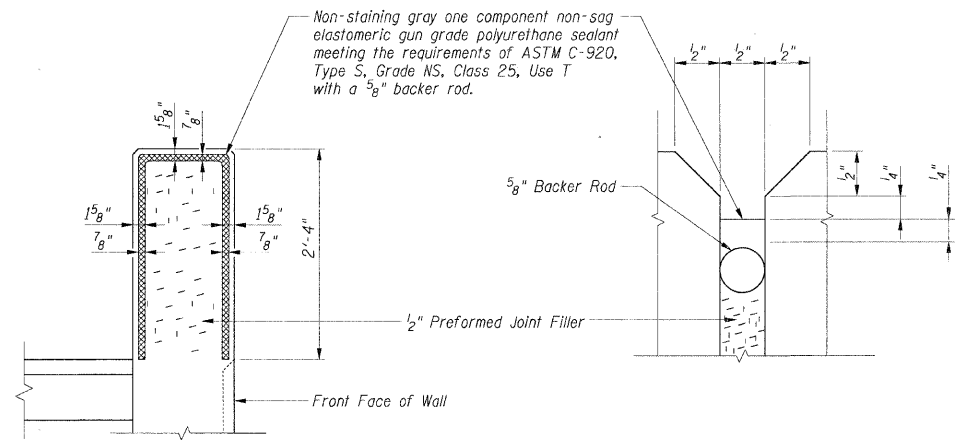


BAR	A	B	N
v21(E)	7'-4"	8'-10"	31
v22(E)	8'-10"	9'-1"	31
v23(E)	9'-1"	10'-8"	31
v24(E)	10'-8"	12'-8"	26
v25(E)	12'-8"	13'-0"	26
v26(E)	13'-0"	13'-2"	26
v27(E)	13'-2"	12'-3"	26
v28(E)	12'-3"	10'-3"	31
v29(E)	10'-3"	8'-2"	31
v30(E)	8'-2"	5'-0"	31

BAR LIST - CONCRETE FACING

BAR	NO.	SIZE	LENGTH	SHAPE
v21(E)	94	#6	33'-0"	-----
h22(E)	42	#6	29'-8"	-----
h23(E)	58	#6	28'-0"	-----
h24(E)	58	#6	24'-8"	-----
v21(E)	26	#4	16'-2"	-----
v22(E)	26	#4	17'-11"	-----
v23(E)	26	#4	19'-9"	-----
v24(E)	31	#4	23'-4"	-----
v25(E)	31	#4	25'-8"	-----
v26(E)	31	#4	26'-2"	-----
v27(E)	31	#4	25'-5"	-----
v28(E)	26	#4	22'-6"	-----
v29(E)	26	#4	18'-5"	-----
v30(E)	26	#4	13'-2"	-----

BAR CUTTING DIAGRAMS



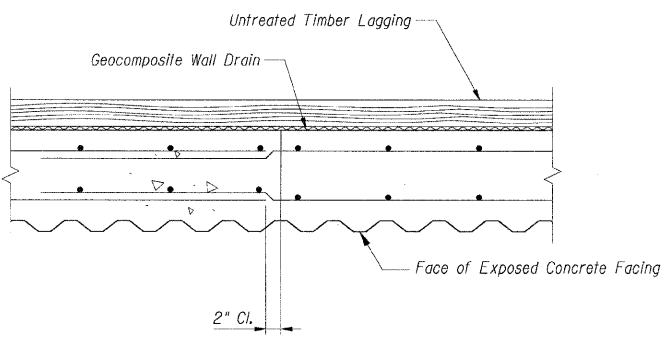
EXPANSION JOINT DETAIL AT PARAPET

Cost of Preformed Joint Filler, Backer Rod, and sealant included with Concrete Structures.

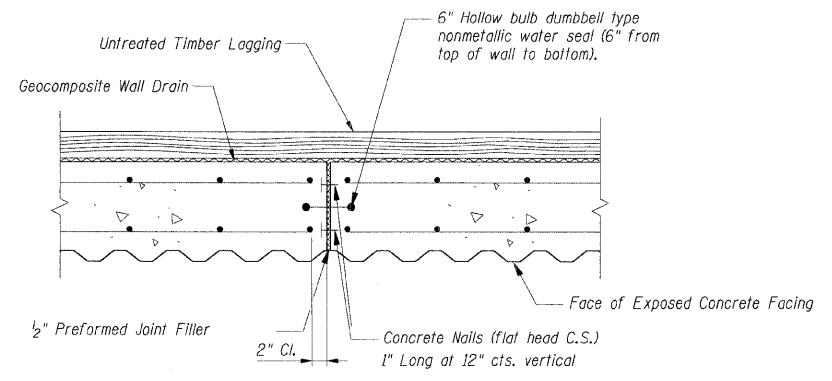
BILL OF MATERIAL

ITEM	UNIT	TOTAL
Concrete Structures	Cu Yd	124.9
Reinforcement Bars, Epoxy Coated	Lbs	15,080

Notes:
1. Work this sheet with sheets SB-2 thru SB-4

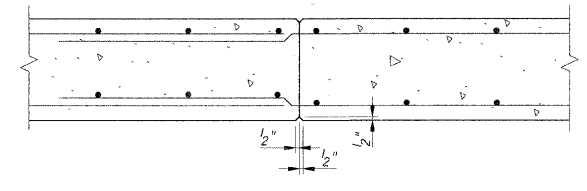


CONSTRUCTION JOINT DETAIL



EXPANSION JOINT DETAIL

Cost of nonmetallic water seal, concrete nails, and preformed joint filler included with Concrete Structures.



CONSTRUCTION JOINT DETAIL AT PARAPET

SHT. SB-5

REVISIONS	
NAME	DATE

MCHENRY COUNTY DIVISION OF TRANSPORTATION
WALKUP ROAD F.A.U. 0085
SECTION 00-00246-01-FP
STATION 92+30.00 TO 95+10.00
RETAINING WALL

SCHEDULES AND DETAILS

SCALE: _____ DRAWN BY: MKD
DATE: 08/17/09 CHECKED BY: TCG

TENG
TENG & ASSOCIATES, INC.
ENGINEERS/ARCHITECTS/PLANNERS
305 N. WISCONSIN AVE., CHICAGO, IL 60601
TELEPHONE: 312/816-0000

STAIRS
 T:\DOCUMENT\1810003\STRUCT\DRAWING\T00204.DGN
 8-14-2009, 10:02:34