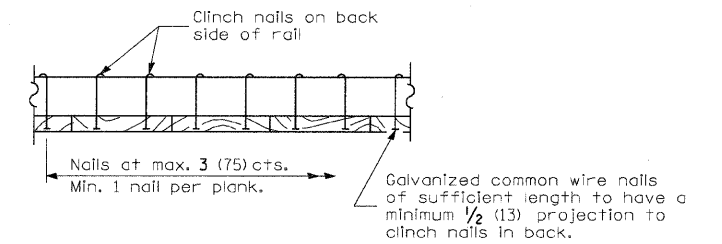
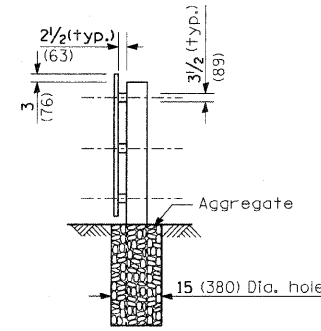
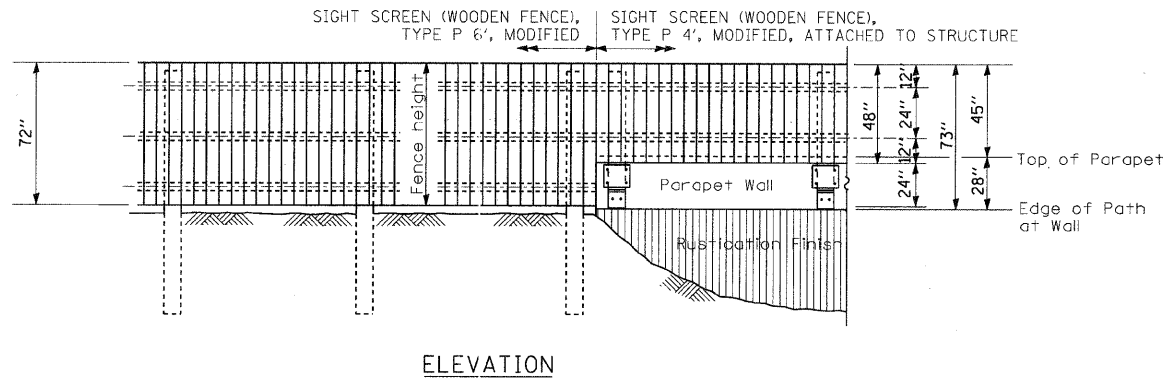
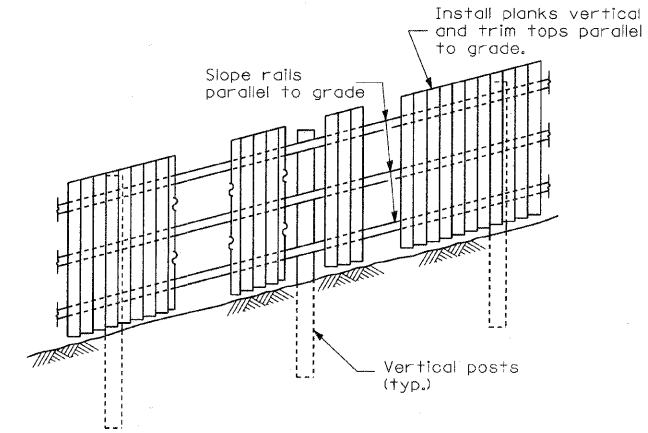
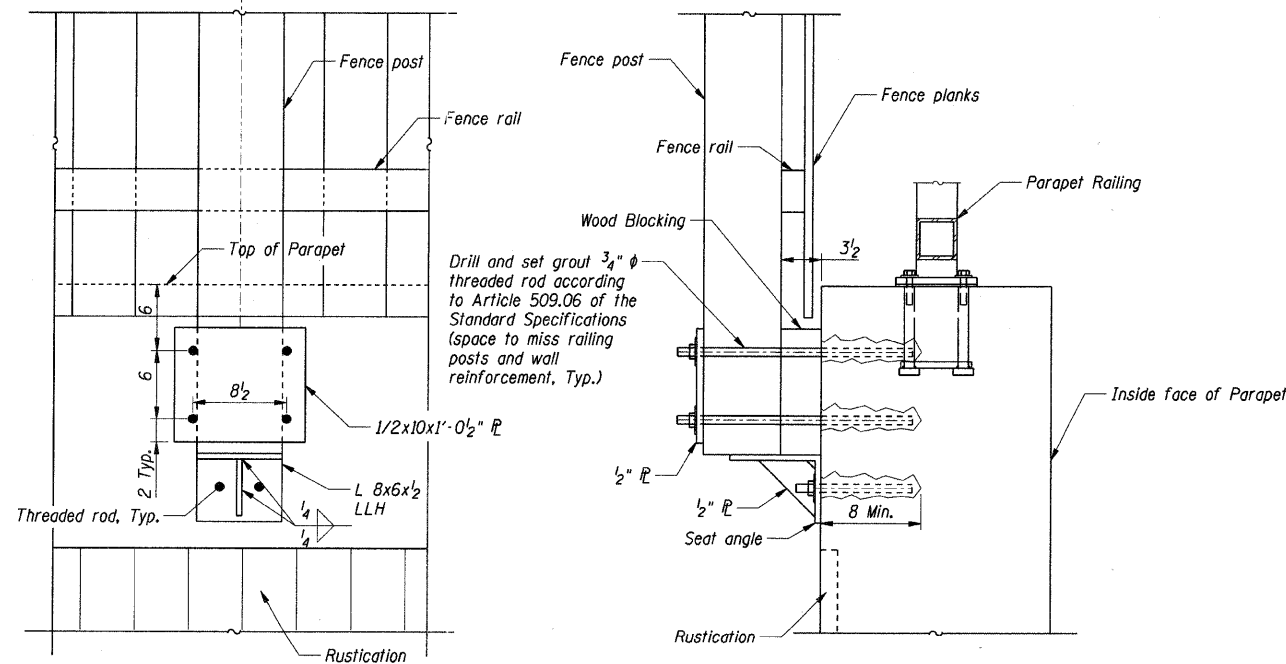
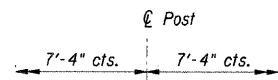


Post Size (nominal dim.)	FENCE HEIGHT	
	6'-0" (1.8 m)	8'-0" (2.4 m)
6x8 (150x200)	8x8 (200x200)	
Post Length (3.0 m)	10'-0" (3.0 m)	14'-0" (4.3 m)
Post Embedment (1.2 m)	4'-0" (1.2 m)	6'-0" (1.8 m)
A	15 (380)	18 (460)
B	24 (600)	33 (870)
C	24 (600)	33 (870)
D	12 (300)	15 (380)



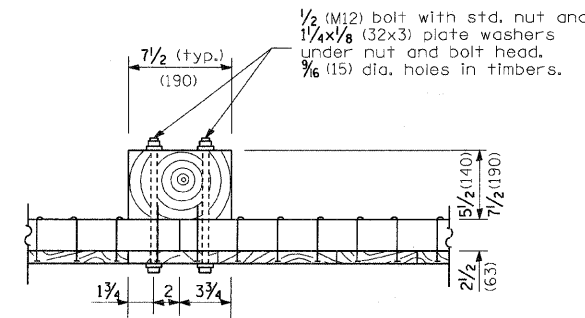
DETAIL A

(Showing typical plank to rail attachment each rail.)



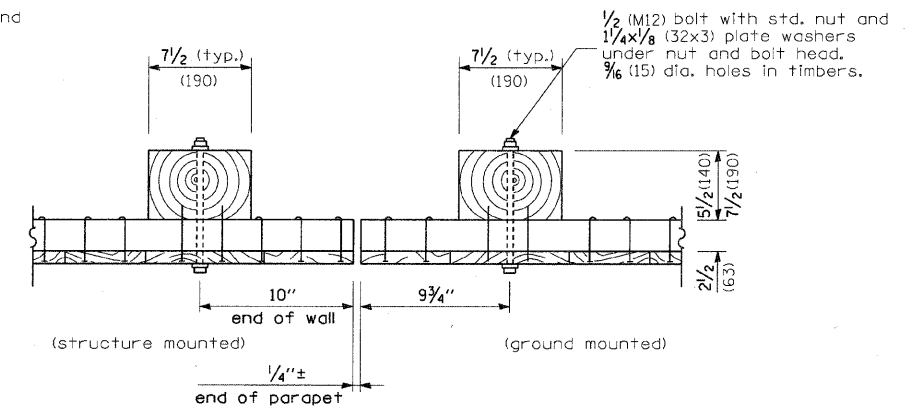
FENCE POST ATTACHMENT TO RETAINING WALL DETAILS

SEC. A-A



DETAIL B

(Showing typical panel to post connection details)



DETAIL C

GENERAL NOTES

Loading was based on 80 mph (130 km/h) with 30% gust factor. Minimum allowable soil pressure = 1.25 tsf (120 kPa).

All threaded rods shall be installed with heavy hex nuts and lock washers.

All dimensions are in inches (millimeters) unless otherwise shown.

All plates, angles, rods, bolts, nuts, and washers for post attachment to parapet are to be galvanized.

All plates, angles, rods, bolts, nuts, and washers for post attachment to parapet are to be included in the Item "Sight Screen (Wooden Fence) Type P 4', Modified, Attached to Structure."

REVISIONS	
NAME	DATE

MCHENRY COUNTY DIVISION OF TRANSPORTATION
WALKUP ROAD F.A.U. 0085

SIGHT SCREEN FENCE
DETAILS

SCALE: N.T.S.

DATE: 12/01/09

DRAWN BY: RJS

CHECKED BY: MCD

TENG

TENG & ASSOCIATES, INC.
ENGINEERS/ARCHITECTS/PLANNERS
205 N. WICHITAN AVE., CHICAGO, IL 60601
TELEPHONE: 312/616-0000