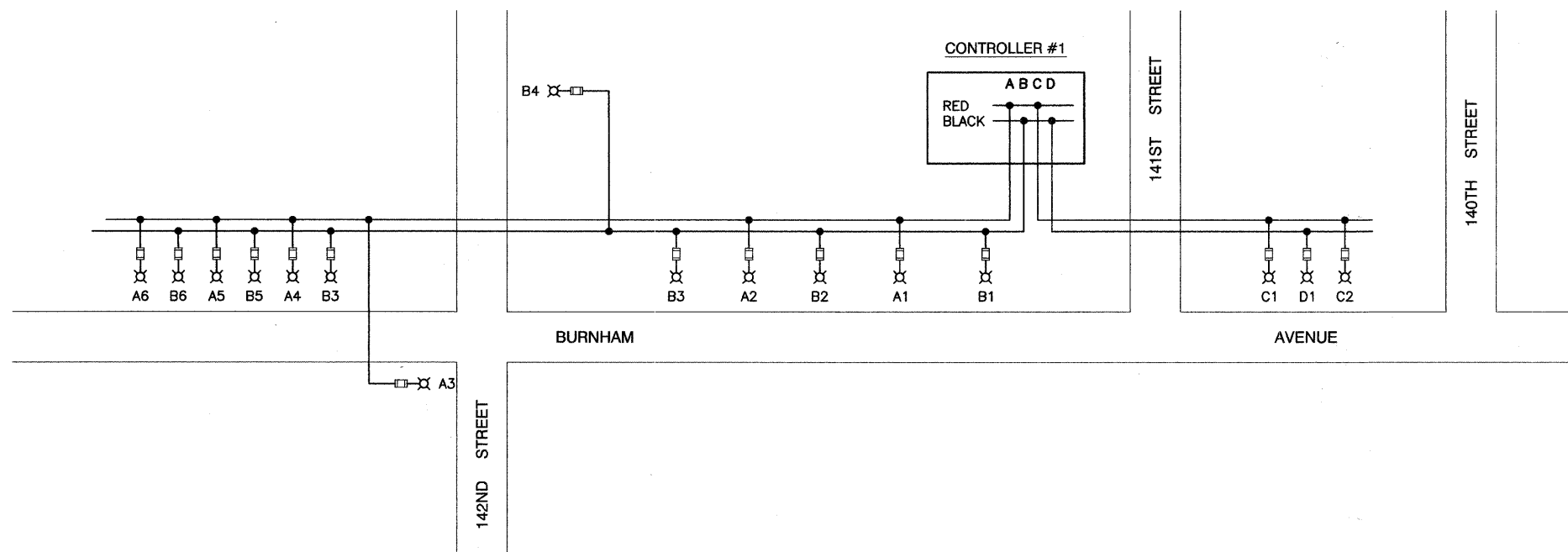
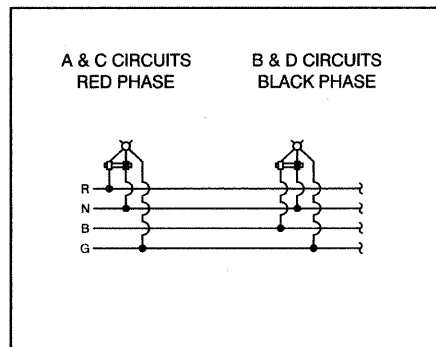


LOAD TABULATIONS CONTROLLER #1			
CIRCUIT	WATTS	AMPS @ 240V	
		RED PHASE	BLACK PHASE
A	2,352	10.20	
B	2,352		10.20
C	784	3.40	
D	392		1.70
<b>SUBTOTAL</b>	<b>5,880</b>	<b>13.60</b>	<b>11.90</b>
<b>TOTAL AMPS @ 240 V</b>		<b>25.50</b>	

240/480V, 1Ø, 3 WIRE, 60HZ  
6.53 KVA LOAD



**TYPICAL POLE WIRING**



**LEGEND**

- ⊗ LUMINAIRE, 250W HPS, 240V
- FUSE, 3.0 AMP
- A1 LUMINAIRE CIRCUIT
- { CIRCUIT BREAKER
- CONNECTION

PLAN	DATE
BY	
REVISIONS	
PLOTTED	
ALIGNMENT CHECKED	
NOTE BOOK NO.	
CAAD FILE NAME	

PROFILE	DATE
BY	
REVISIONS	
PLOTTED	
GRADES CHECKED	
NOTE BOOK NO.	
B.M. NOTED	



FILE NAME = 09306-DTLS-01 - P01	USER NAME =	DESIGNED -- PAP	REVISIONS --	STATE OF ILLINOIS DEPARTMENT OF TRANSPORTATION	BURNHAM AVENUE STREET LIGHTING SINGLE LINE WIRING DIAGRAM	F.A.U. RTE.	SECTION	COUNTY	TOTAL SHEETS	SHEET NO.	
		CHECKED -- EJT	REVISIONS --			2943	09-00033-00-LT	COOK	10	4	
PLOT SCALE = N/A		DRAWN -- MJD	REVISIONS --			CONTRACT NO. 63271					
PLOT DATE = 12-09-09		CHECKED -- DWS	REVISIONS --			FED. ROAD DIST. NO. 1 ILLINOIS FED. AID PROJECT ARA-9003 (341)					
				SCALE: N/A		SHEET NO. 4 OF 10 SHEETS		STA. N/A TO STA. N/A			