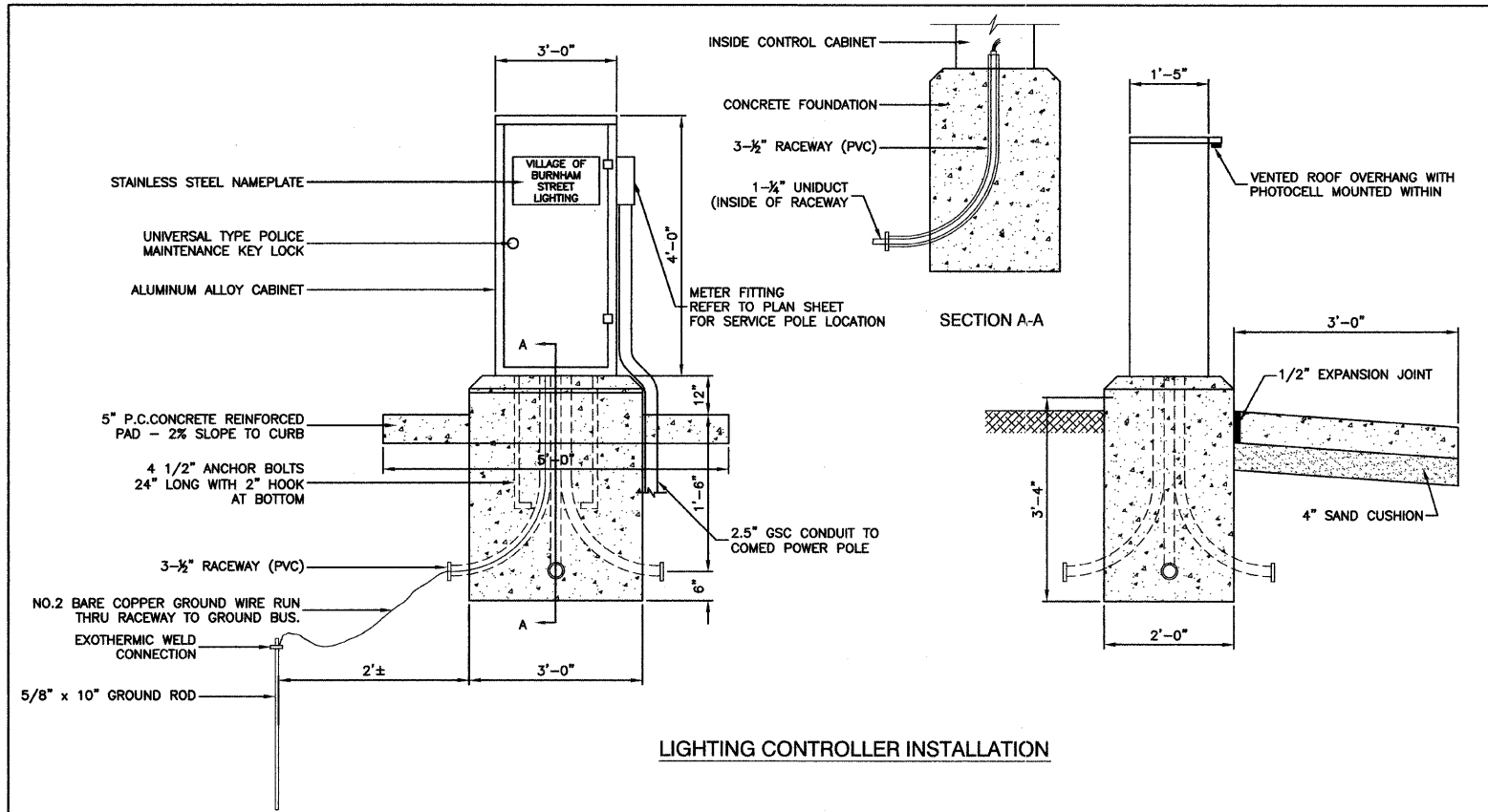
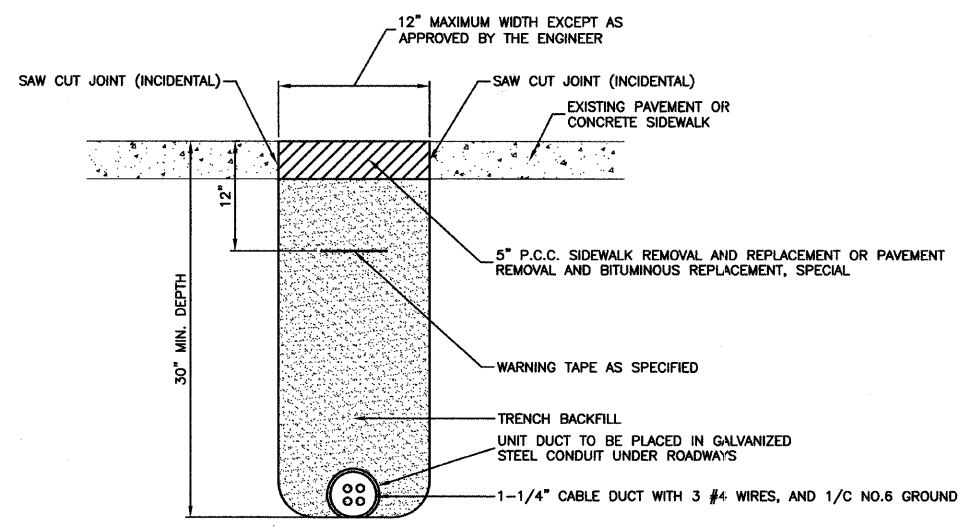


DATE	
BY	
REVISIONS	
PLANNED	
ALIGNED	
CHECKED	
NOTED	
NO. 1	
NO. 2	
NO. 3	
NO. 4	
NO. 5	
NO. 6	
NO. 7	
NO. 8	
NO. 9	
NO. 10	
NO. 11	
NO. 12	
NO. 13	
NO. 14	
NO. 15	
NO. 16	
NO. 17	
NO. 18	
NO. 19	
NO. 20	
NO. 21	
NO. 22	
NO. 23	
NO. 24	
NO. 25	
NO. 26	
NO. 27	
NO. 28	
NO. 29	
NO. 30	
NO. 31	
NO. 32	
NO. 33	
NO. 34	
NO. 35	
NO. 36	
NO. 37	
NO. 38	
NO. 39	
NO. 40	
NO. 41	
NO. 42	
NO. 43	
NO. 44	
NO. 45	
NO. 46	
NO. 47	
NO. 48	
NO. 49	
NO. 50	
NO. 51	
NO. 52	
NO. 53	
NO. 54	
NO. 55	
NO. 56	
NO. 57	
NO. 58	
NO. 59	
NO. 60	
NO. 61	
NO. 62	
NO. 63	
NO. 64	
NO. 65	
NO. 66	
NO. 67	
NO. 68	
NO. 69	
NO. 70	
NO. 71	
NO. 72	
NO. 73	
NO. 74	
NO. 75	
NO. 76	
NO. 77	
NO. 78	
NO. 79	
NO. 80	
NO. 81	
NO. 82	
NO. 83	
NO. 84	
NO. 85	
NO. 86	
NO. 87	
NO. 88	
NO. 89	
NO. 90	
NO. 91	
NO. 92	
NO. 93	
NO. 94	
NO. 95	
NO. 96	
NO. 97	
NO. 98	
NO. 99	
NO. 100	

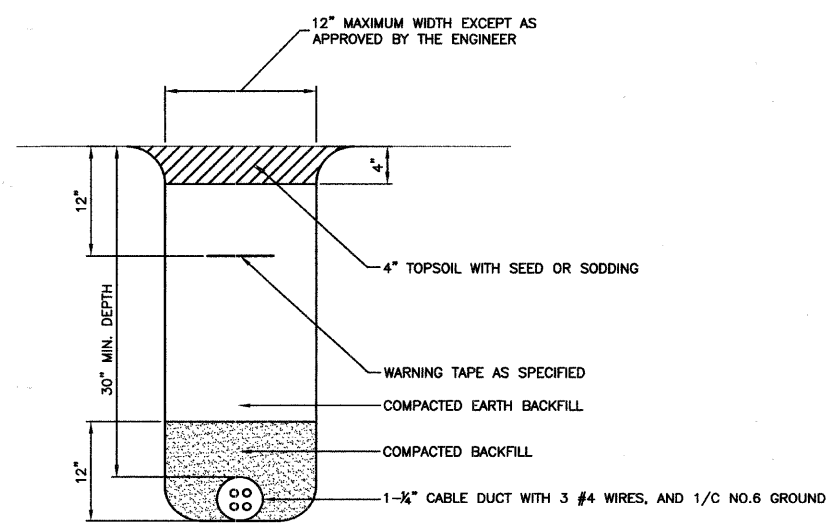
DATE	
BY	
REVISIONS	
PLANNED	
ALIGNED	
CHECKED	
NOTED	
NO. 1	
NO. 2	
NO. 3	
NO. 4	
NO. 5	
NO. 6	
NO. 7	
NO. 8	
NO. 9	
NO. 10	
NO. 11	
NO. 12	
NO. 13	
NO. 14	
NO. 15	
NO. 16	
NO. 17	
NO. 18	
NO. 19	
NO. 20	
NO. 21	
NO. 22	
NO. 23	
NO. 24	
NO. 25	
NO. 26	
NO. 27	
NO. 28	
NO. 29	
NO. 30	
NO. 31	
NO. 32	
NO. 33	
NO. 34	
NO. 35	
NO. 36	
NO. 37	
NO. 38	
NO. 39	
NO. 40	
NO. 41	
NO. 42	
NO. 43	
NO. 44	
NO. 45	
NO. 46	
NO. 47	
NO. 48	
NO. 49	
NO. 50	
NO. 51	
NO. 52	
NO. 53	
NO. 54	
NO. 55	
NO. 56	
NO. 57	
NO. 58	
NO. 59	
NO. 60	
NO. 61	
NO. 62	
NO. 63	
NO. 64	
NO. 65	
NO. 66	
NO. 67	
NO. 68	
NO. 69	
NO. 70	
NO. 71	
NO. 72	
NO. 73	
NO. 74	
NO. 75	
NO. 76	
NO. 77	
NO. 78	
NO. 79	
NO. 80	
NO. 81	
NO. 82	
NO. 83	
NO. 84	
NO. 85	
NO. 86	
NO. 87	
NO. 88	
NO. 89	
NO. 90	
NO. 91	
NO. 92	
NO. 93	
NO. 94	
NO. 95	
NO. 96	
NO. 97	
NO. 98	
NO. 99	
NO. 100	



LIGHTING CONTROLLER INSTALLATION



HOT-MIX ASPHALT PAVEMENT OR CONCRETE SIDEWALK REMOVAL AND REPLACEMENT



TRENCH DETAIL



FILE NAME = 09006-DT15-01 - P04	USER NAME =	DESIGNED -- PAP	REVISED --	STATE OF ILLINOIS DEPARTMENT OF TRANSPORTATION	BURNHAM AVENUE STREET LIGHTING DETAILS	F.A.U. RTE.	SECTION	COUNTY	TOTAL SHEETS	SHEET NO.	
		CHECKED -- EJT	REVISED --			2943	09-00033-00-LT	COOK	10	7	
		DRAWN -- MJD	REVISED --			CONTRACT NO. 63271					
		CHECKED -- DWS	REVISED --			FED. ROAD DIST. NO. 1 ILLINOIS FED. AID PROJECT ARA-9003 (341)					
				SCALE: N/A	SHEET NO. 7 OF 10 SHEETS	STA. N/A	TO STA. N/A				