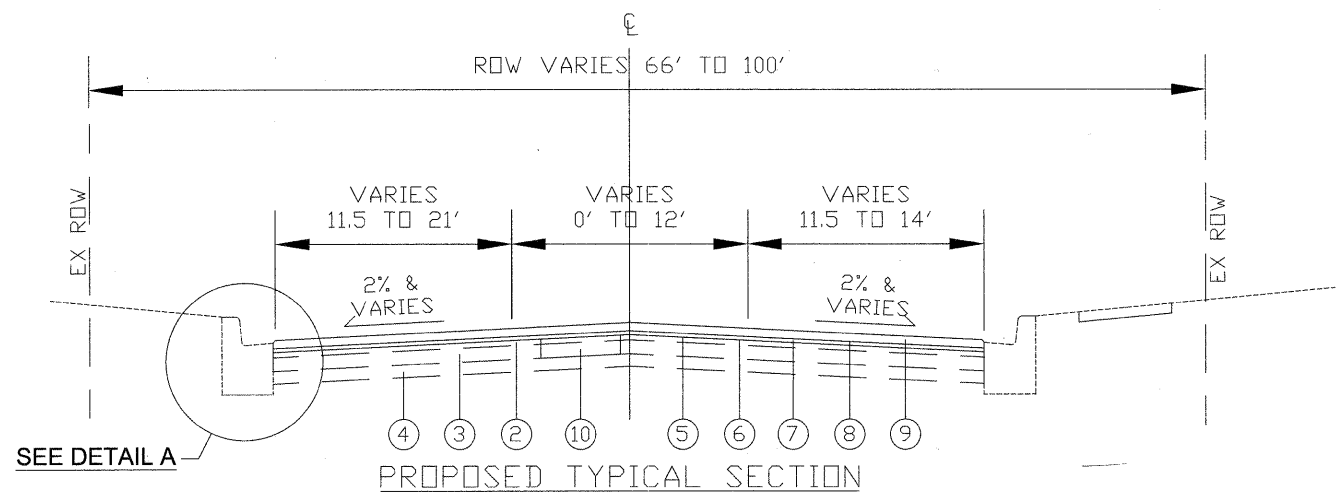


STA. 11+33 TO STA. 15+26 LT JOLIET STREET STA. 11+33 TO STA. 14+68 RT
 STA. 56+85 TO STA. 59+36 LT JOLIET STREET STA. 56+17 TO STA. 59+36 RT



STA. 11+33 TO STA. 15+26 LT JOLIET STREET STA. 11+33 TO STA. 14+68 RT
 STA. 56+85 TO STA. 59+36 LT JOLIET STREET STA. 56+17 TO STA. 59+36 RT

CONTRACTOR SHALL MILL BEFORE PATCHING

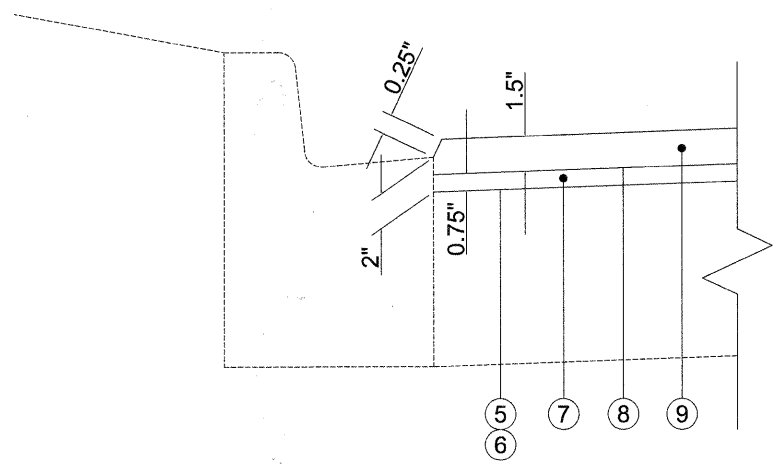
HOT-MIX ASPHALT MIXTURE REQUIREMENTS	
MIXTURE TYPE	AIR VOIDS @ Ndes
PAVEMENT RESURFACING	
HOT-MIX ASPHALT SURFACE COURSE, MIX "D", N70 (IL 9.5 mm)	4% @ 70 Gyr.
POLYMERIZED LEVELING BINDER (MACHINE METHOD), IL-4.75, N50	4% @ 50 Gyr.
PATCHING	
CLASS D PATCH (HMA BINDER IL-19 mm)	4% @ 70 Gyr.
PAVEMENT PATCHING (PARTIAL DEPTH) (HMA BINDER IL-19 mm)	4% @ 70 Gyr.

THE UNIT WEIGHT USED TO CALCULATE ALL HMA SURFACE MIXTURE QUANTITIES IS 112 LBS/SQ YD/IN.
 THE "AC TYPE" FOR POLYMERIZED HMA MIXES SHALL BE "SBS/SBR PG 70 -22" AND FOR NON-POLYMERIZED HMA THE "AC TYPE" SHALL BE "PG 64 -22" UNLESS MODIFIED BY DISTRICT ONE SPECIAL PROVISIONS.
 FOR "PERCENT OF RAP" SEE DISTRICT ONE SPECIAL PROVISIONS.

LEGEND:

- ① PR HOT-MIX ASPHALT SURFACE REMOVAL, 2"
- ② EX HOT-MIX ASPHALT SURFACE COURSE AND (LEVELING) BINDER COURSE, 3" AND VARIES (2" TO BE MILLED)
- ③ EX HOT-MIX ASPHALT BASE COURSE, VARIES 5" TO 11.5"
- ④ EX SUBBASE GRANULAR MATERIAL, TYPE B, 4" & VARIES
- ⑤ PR AGGREGATE (PRIME COAT)
- ⑥ PR BITUMINOUS MATERIALS (PRIME COAT)
- ⑦ PR POLYMERIZED LEVELING BINDER (MACHINE METHOD), IL-4.75, N50, 0.75"
- ⑧ PR AREA REFLECTIVE CRACK CONTROL TREATMENT, SYSTEM A
- ⑨ PR HOT-MIX ASPHALT SURFACE COURSE, MIX "D", N70, 1.5"
- ⑩ PR INTERMITTENT PAVEMENT PATCH

DETAIL A



FILE NAME = 03-04_Typical Sections_Joliet S LAPP
 PLOT DATE = 12/15/09



DESIGNED - DMM
 DRAWN - DMM
 CHECKED - KCV
 DATE - 12/16/09

REVISED -
 REVISED -
 REVISED -
 REVISED -

STATE OF ILLINOIS
 DEPARTMENT OF TRANSPORTATION

JOLIET STREET - IL RTE 59 TO GENEVA STREET
 TYPICAL SECTIONS
 SCALE: NTS

F.A.U. RTE. 2534	SECTION 09-00074-00-RS	COUNTY DUPAGE	TOTAL SHEETS 22	SHEET NO. 3
CONTRACT NO. 63374				
FED. ROAD DIST. NO. 1 ILLINOIS FED. AID PROJECT ARA-9003(405)				