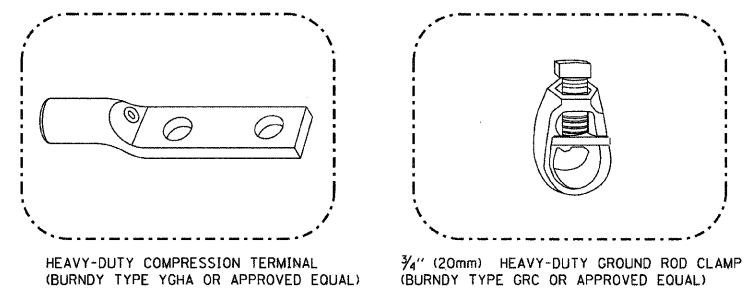
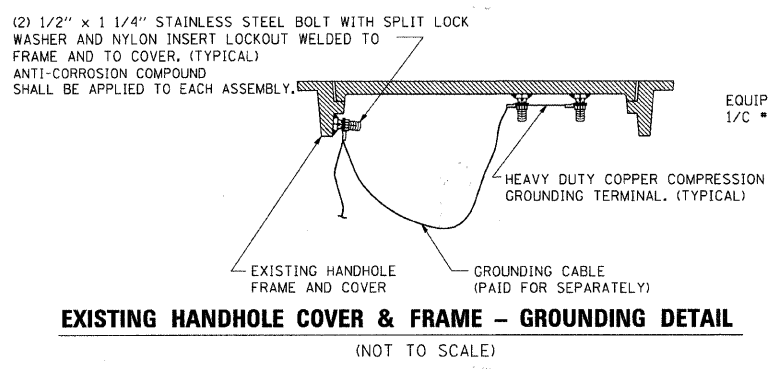
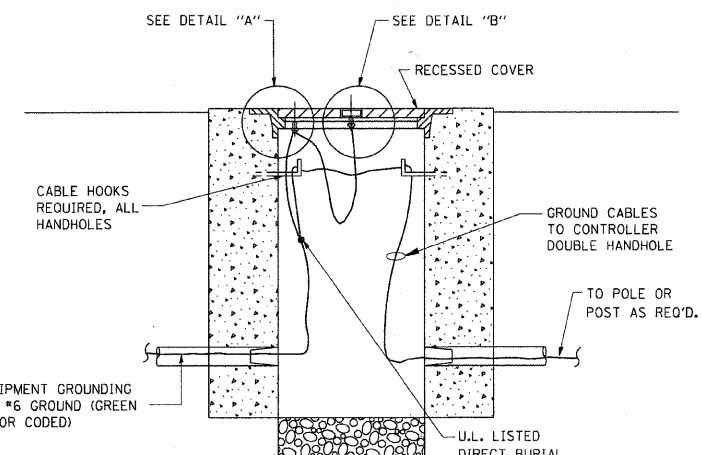
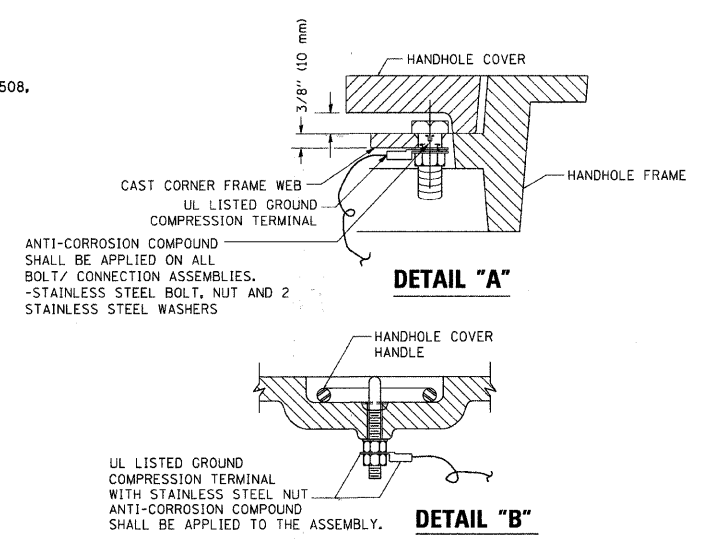
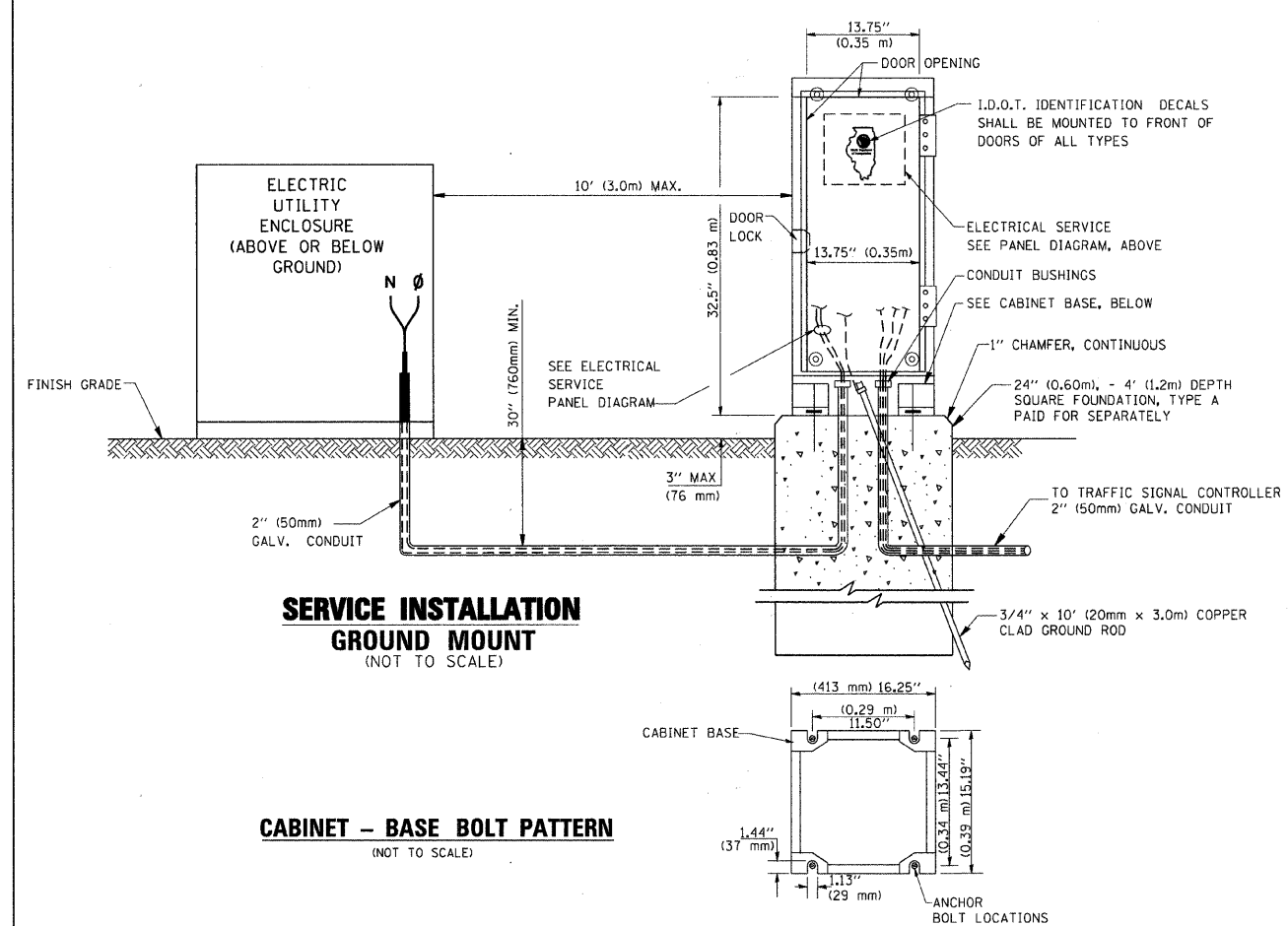
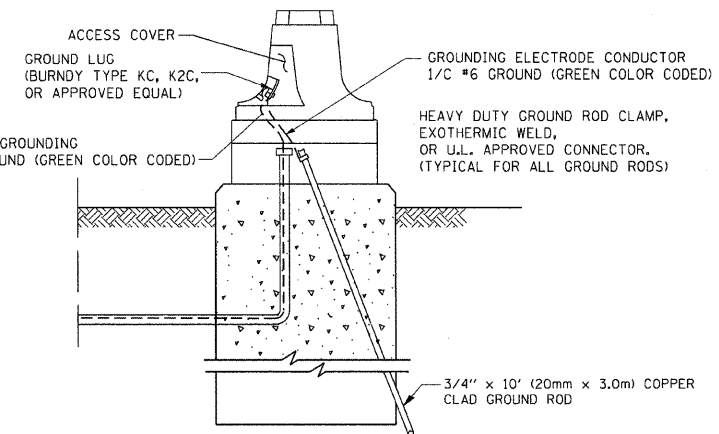


ELECTRICAL SERVICE - PANEL DIAGRAM (TYPICAL FOR POLE AND GROUND MOUNTED SERVICE)
SERVICE INSTALLATION POLE MOUNT (SHOWN)
 (NOT TO SCALE)



- NOTES:**
- ALL CLAMPS SHALL BE BRONZE OR COPPER, UL APPROVED.
 - GROUND CABLE SHALL BE LOOPED OVER HOOKS IN THE HANDHOLES 6.5' (2.0m) SLACK SHALL BE PROVIDED IN SINGLE HANDHOLES 13' (4.0m) OF SLACK SHALL BE PROVIDED IN DOUBLE HANDHOLES. 5' (1.4m) OF SLACK SHALL BE PROVIDED BETWEEN FRAME AND COVER.



* F.A.P. ROUTE 0305 U.S. ROUTE 14 (NORTHWEST HIGHWAY)
 F.A.U. ROUTE 3877 EAST MAIN STREET
 PROJECT No.: M-ARA-9003(313)
 JOB No.: C-91-619-09

FILE NAME =	USER NAME = bauerd	DESIGNED - DAD	REVISED -	STATE OF ILLINOIS DEPARTMENT OF TRANSPORTATION	DISTRICT ONE STANDARD TRAFFIC SIGNAL DESIGN DETAILS			F.A. RTE.	SECTION	COUNTY	TOTAL SHEETS	SHEET NO.
c:\pwork\PWIDOT\BAUEROL\d0108315\ts09.dgn		DRAWN - BCK	REVISED -		SCALE: NONE	SHEET NO. 3 OF 6 SHEETS	STA.	TO STA.	* 08-00054-00-CH	McHENRY	58	29
		CHECKED - DAD	REVISED -						TS-05			
		DATE - 10-28-09	REVISED -						CONTRACT NO. 63404			
									FED. ROAD DIST. NO. 1 ILLINOIS FED. AID PROJECT			