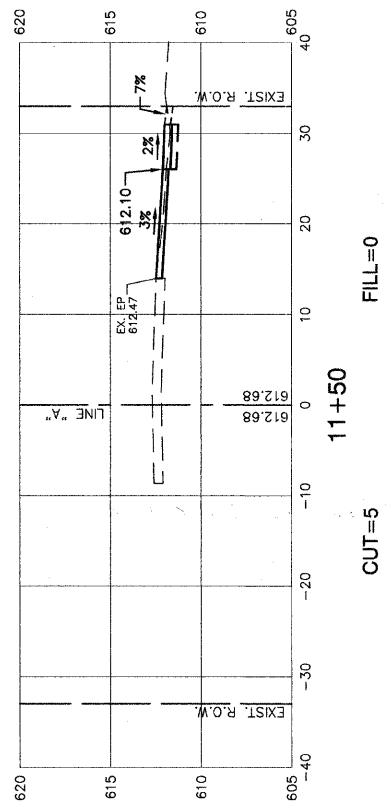
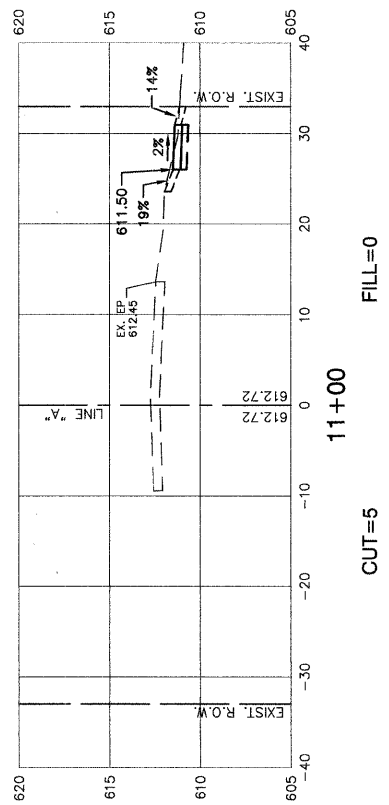


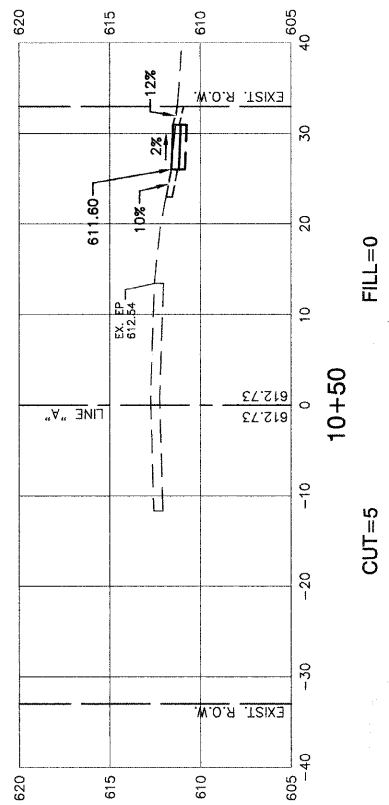
CUT=9 FILL=0



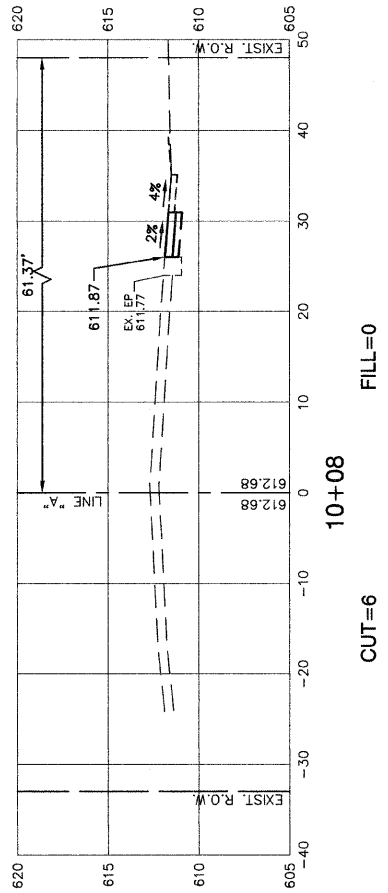
CUT=5 FILL=0



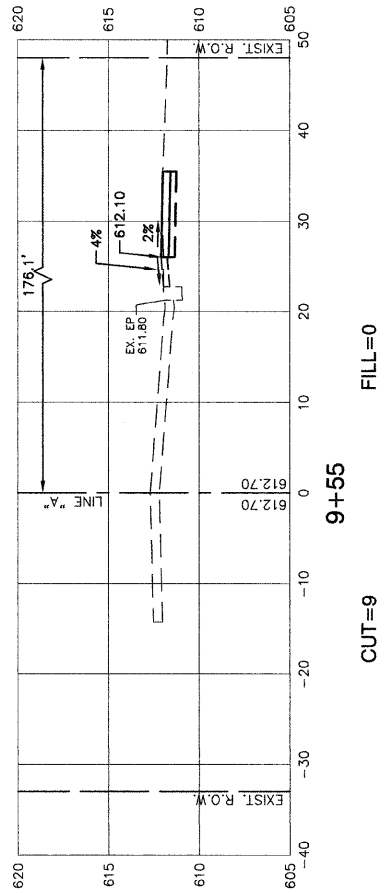
CUT=5 FILL=0



CUT=5 FILL=0



CUT=6 FILL=0



CUT=9 FILL=0

FILE NAME = 05612_03-XSCT-01

USER NAME =	DESIGNED -- JP	REVISED --
	CHECKED -- LSG/MN	REVISED --
PLOT SCALE =	DRAWN -- PS/KWM	REVISED --
PLOT DATE = 11-30-09	CHECKED -- PS/KWM	REVISED --

STATE OF ILLINOIS
DEPARTMENT OF TRANSPORTATION

CLAIRE BOULEVARD
SAFE ROUTE TO SCHOOL PROGRAM
CROSS SECTIONS

SCALE: H 1"=10' V 1"=5' SHEET NO. 4 OF 10 SHEETS STA. 9+55 TO STA. 12+00

F.A.U. RTE.	SECTION	COUNTY	TOTAL SHEETS	SHEET NO.
1008	06-00162-03-SW	COOK	10	4
CONTRACT NO. 63405				
FED. ROAD DIST. NO. 1 ILLINOIS FED. AID PROJECT CMM-9003 (080)				