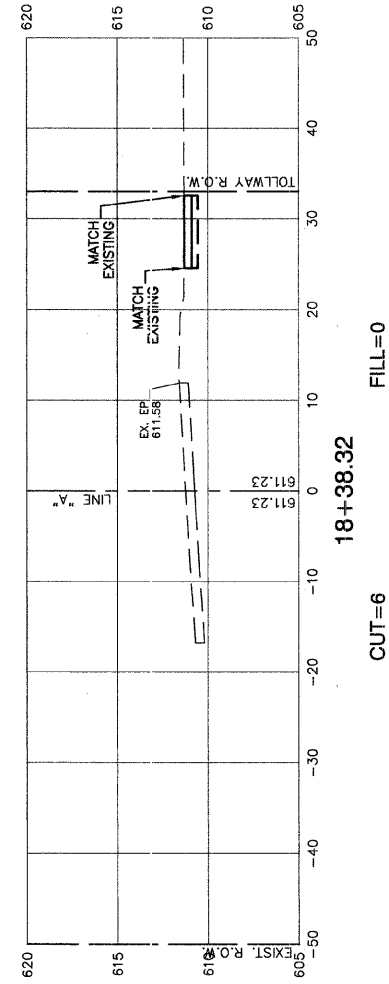
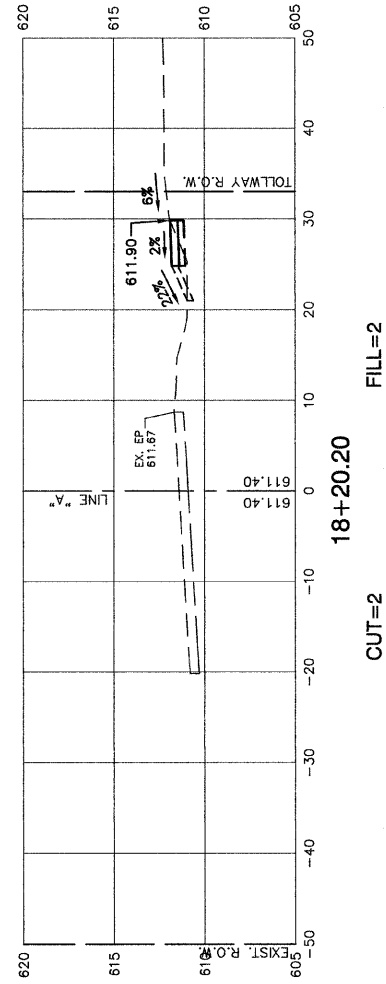


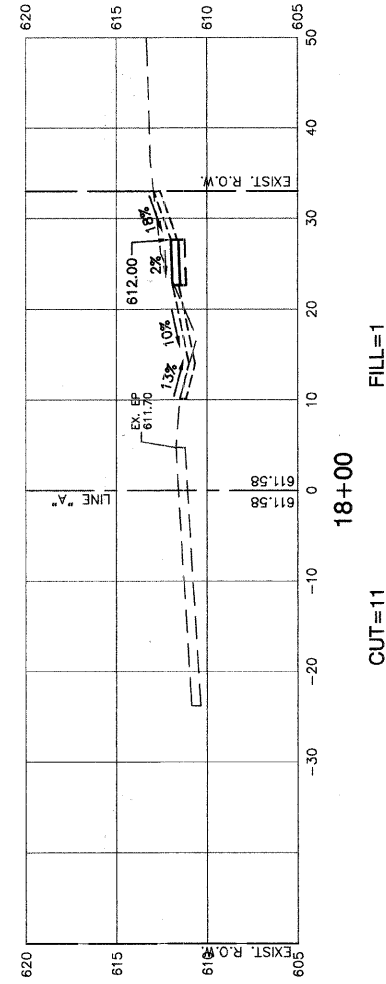
CUT=0
18+50
FILL=0



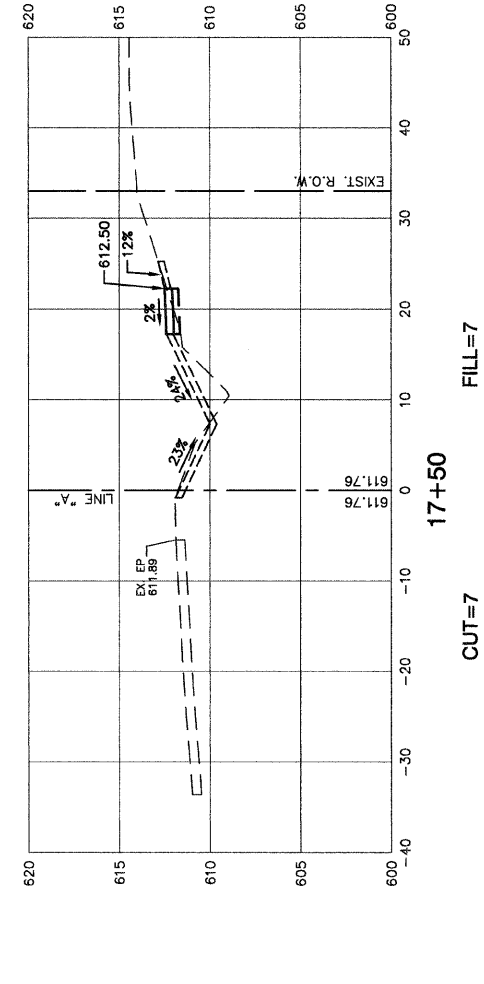
CUT=6
18+38.32
FILL=0



CUT=2
18+20.20
FILL=2



CUT=11
18+00
FILL=1



CUT=7
17+50
FILL=7

FILE NAME = 06612_03.XSCT.01

USER NAME =	DESIGNED -- JP	REVISED --
	CHECKED -- LSG/MN	REVISED --
PLOT SCALE =	DRAWN -- PS/KWM	REVISED --
PLOT DATE = 11-30-09	CHECKED -- PS/KWM	REVISED --

STATE OF ILLINOIS
DEPARTMENT OF TRANSPORTATION

CLAIRE BOULEVARD SAFE ROUTE TO SCHOOL PROGRAM CROSS SECTIONS		F.A.U. RTE.	SECTION	COUNTY	TOTAL SHEETS	SHEET NO.
SCALE: H 1"=10' V 1"=5'		1008	06-00162-03-SW	COOK	10	7
SHEET NO. 7 OF 10 SHEETS		FED. ROAD DIST. NO. 1 ILLINOIS		CONTRACT NO. 63405		
STA. 17+50 TO STA. 19+69.42		FED. AID PROJECT CMM-9003 (080)				