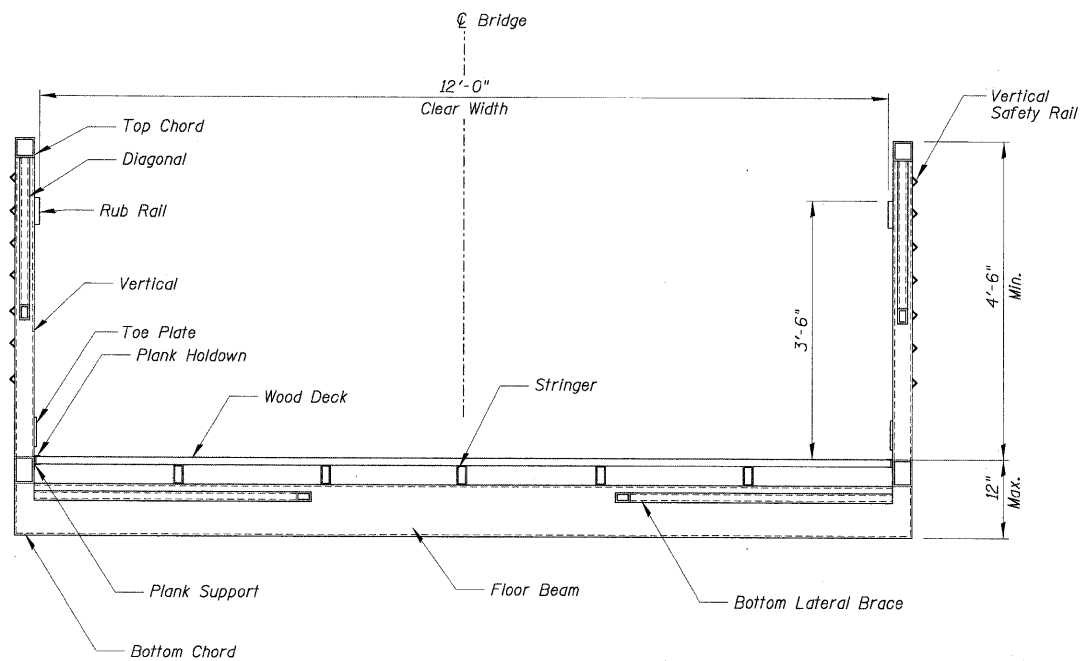
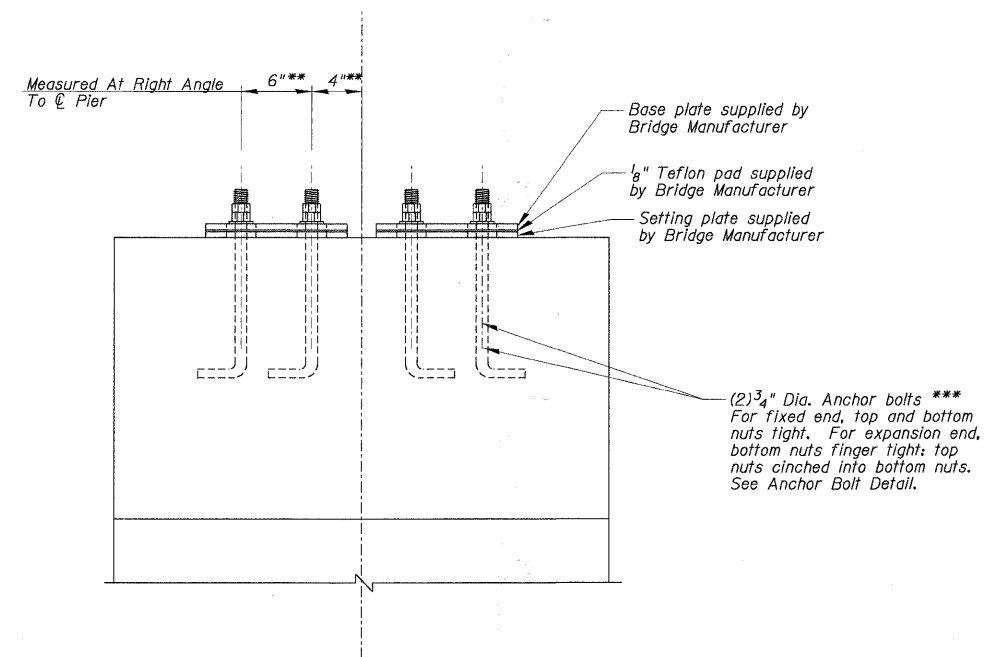


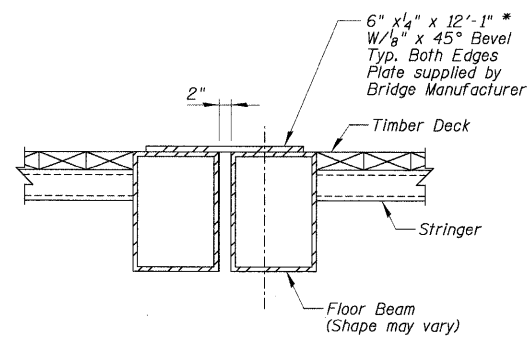
STATE OF ILLINOIS
DEPARTMENT OF TRANSPORTATION



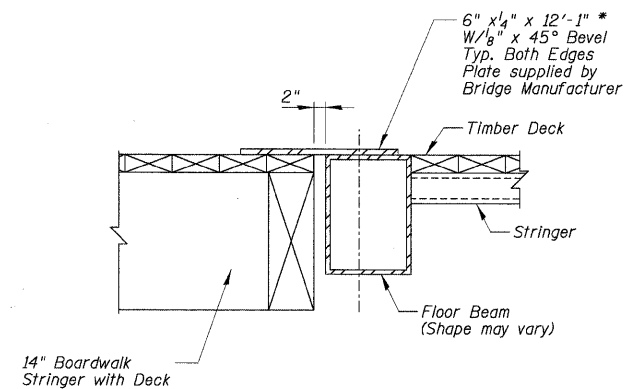
SECTION THRU FABRICATED BRIDGE SUPERSTRUCTURE



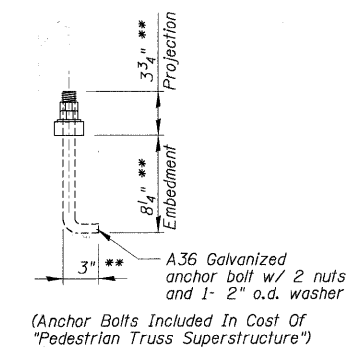
BEARING DETAIL AT PIER



JOINT SEAL AT PIERS 2, 3 AND 4



JOINT SEAL AT PIERS 1 AND 5



(Anchor Bolts Included In Cost Of "Pedestrian Truss Superstructure")

ANCHOR BOLT DETAIL

NOTES:

- * Contractor shall coordinate plate dimensions with Bridge Manufacturer prior to construction.
- ** The Contractor shall coordinate the location and layout of the anchor bolts with the Bridge Manufacturer and the Boardwalk Manufacturer
- *** Contractor has the option of substituting anchor bolts with 4-3/4" ϕ HILTI HAS-EE AISI 304 SS Bolts embedded 6 5/8" into HIT HY 150 Injection adhesive. Bolts shall not be placed less than 5" from the edge of the structure or less than 6" apart. Contractor shall coordinate plate dimensions, bolt spacing and bolt quantity with Bridge Manufacturer prior to construction.

DESIGNED -	200
CHECKED -	EXAMINED
DRAWN -	PASSED
CHECKED -	ENGINEER OF BRIDGES AND STRUCTURES

SUPERSTRUCTURE DETAILS
DEERFIELD ROAD BIKE PATH
OVER DES PLAINES
SEC. 04-00038-03-BR
LAKE COUNTY
STATION 4+77.30
STRUCTURE NO.

SHEET NO. S-3 SHEETS	F.A.U. RTE.	SECTION	COUNTY	TOTAL SHEETS	SHEET NO.
	1257	04-00038-03-BR	LAKE	4440	22
	CONTRACT NO. 63408				
FED. ROAD DIST. NO. 1 ILLINOIS FED. AID PROJECT					