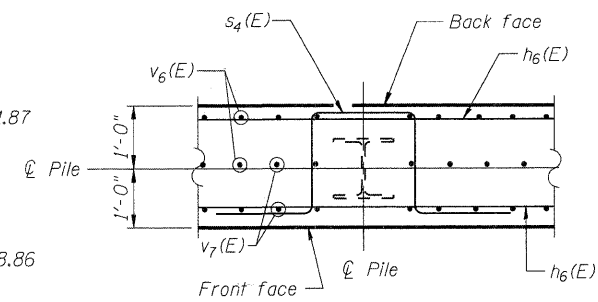


ELEVATION



PILE DETAIL

PILE DATA

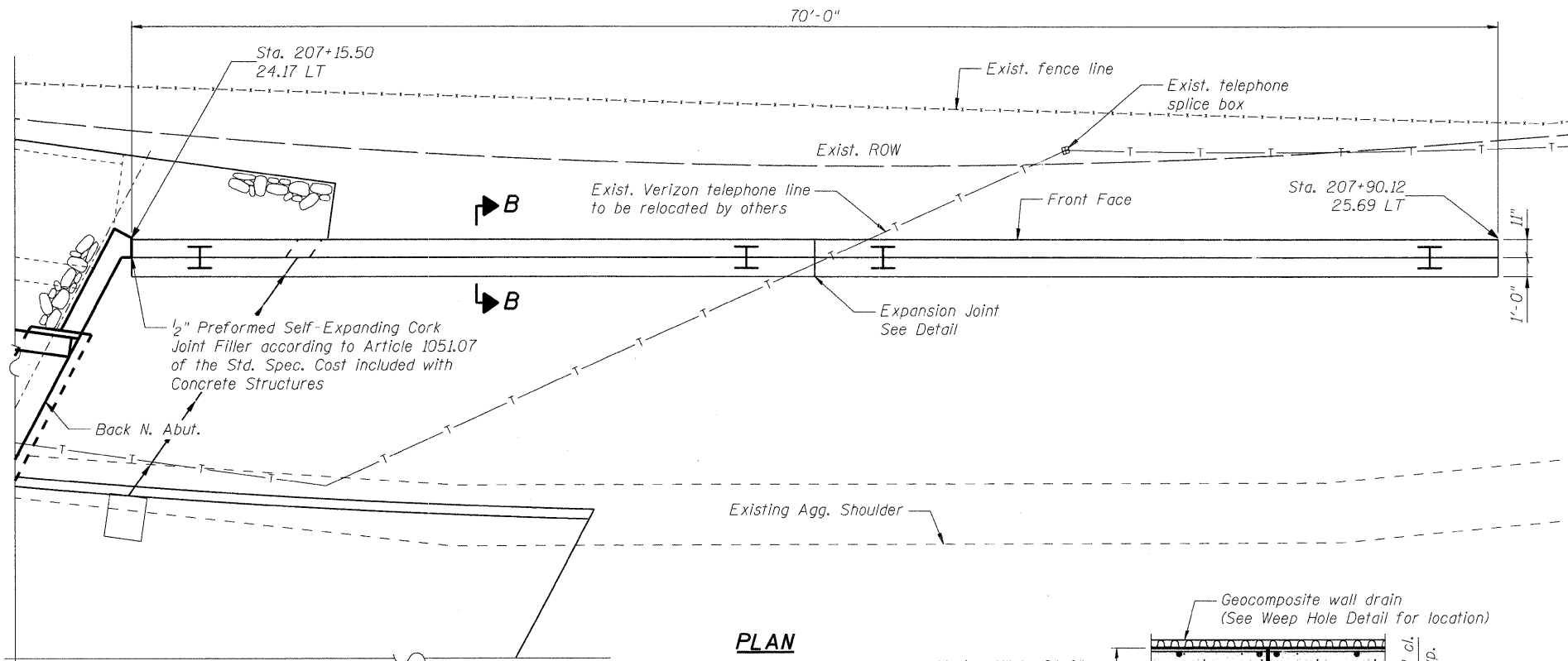
Type: Steel HP 14x73
 Nominal Required Bearing: 96 kips
 Allowable Resistance Available: 32 kips
 Est. Minimum Length: 25' *
 No. Production Piles: 10
 No. Test Piles: 0
 * Minimum Embedment = 22'-6" regardless of meeting required capacity

BILL OF MATERIAL

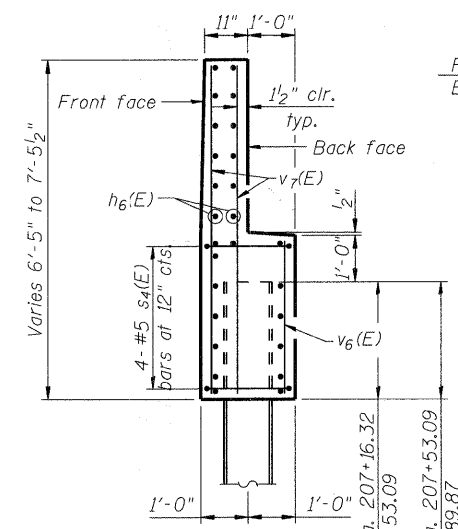
Bar	No.	Size	Length	Shape
h ₆ (E)	26	# 5	34'-8"	—
s ₄ (E)	40	# 5	9'-4"	⌒
v ₆ (E)	31	# 5	3'-2"	—
v ₇ (E)	62	# 5	8'-11"	—
v ₈ (E)	31	# 5	2'-2"	—
Structure Excavation		Cu. Yd.	42	
Reinforcement Bars, Epoxy Coated		Pound	2,080	
Concrete Structures		Cu. Yd.	20.6	
Furnishing Steel Piles HP 14X73		Foot	250	
Driving Piles		Foot	250	

NOTES:

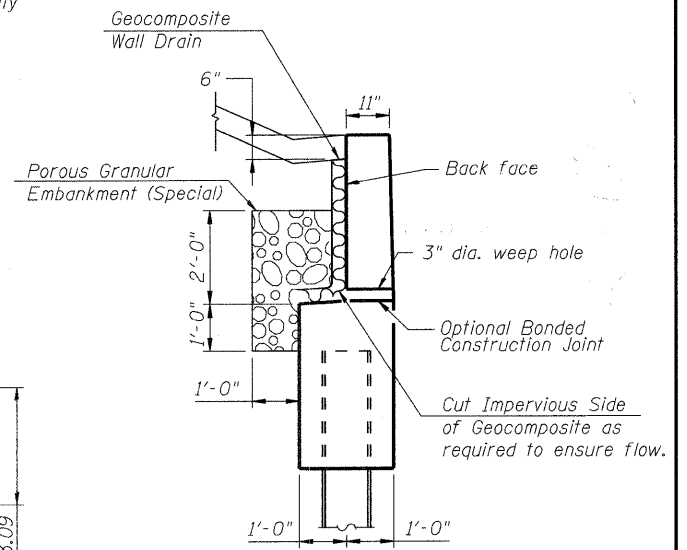
See Sheet S-14 for Section A-A.
 For details of piles see Sheet S-16.
 Cut h₆(E) bars in field to maintain clear cover from edge of concrete.
 Steel HP Piling shall be driven to the Nominal Required Bearing Capacity indicated but not less than a minimum embedment length of 22'-6".
 Stations and offsets based on Construction Baseline Thompson Road.



PLAN



SECTION B-B

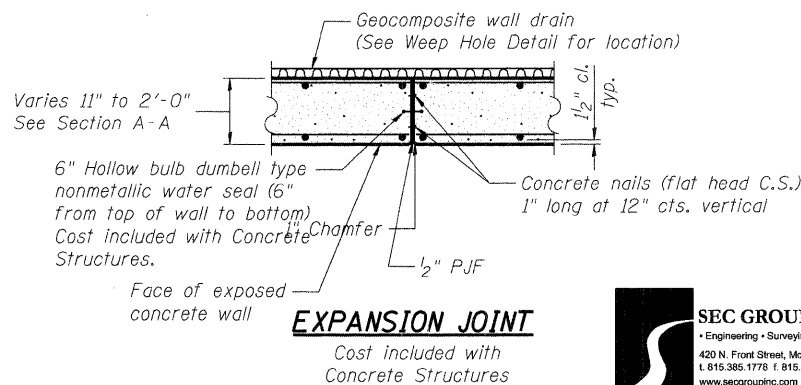


WEEP HOLE DRAIN DETAIL

NORTH RETAINING WALL DETAILS

THOMPSON ROAD
 OVER NIPPERSINK CREEK
 SECTION NO. 06-00005-00-BR
 McHENRY COUNTY
 STATION 206+30.48
 STRUCTURE NO. 056-6006

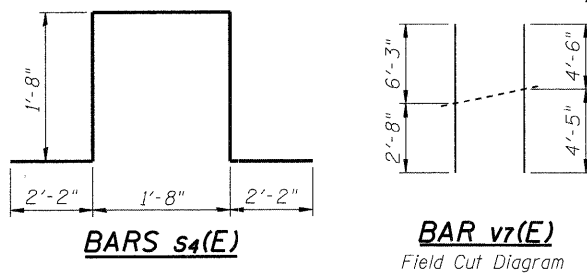
DATE: 11/18/09



EXPANSION JOINT

Cost included with Concrete Structures

DESIGNED	MGH/JPG
CHECKED	KMA
DRAWN	WJH
CHECKED	RGD



BARS s₄(E)

BAR v₇(E)

Field Cut Diagram

SEC GROUP, INC.
 Illinois Professional Design Firm # 184-000108
 Engineering • Surveying • Planning • Landscape Architecture
 420 N. Front Street, McHenry, IL 60050
 T 815.385.1776 F 815.385.1781
 www.secgroupinc.com
 • McHenry, IL • Yorkville, IL • New Lenox, IL • Chicago, IL

SHEET NO. S-4 S-25 SHEETS	F.A.U. RTE.	SECTION	COUNTY	TOTAL SHEETS	SHEET NO.
	4081	06-00005-00-BR	McHENRY	45	15
CONTRACT NO. 63409					
FED. ROAD DIST. NO. 1 ILLINOIS FED. AID PROJECT					

FILE NAME: 060563-06102.dwg/12/09
 PLOT DRIVER: standard-trans.tbl
 PEN TABLE: standard-trans.tbl