

WEST CURB LINE

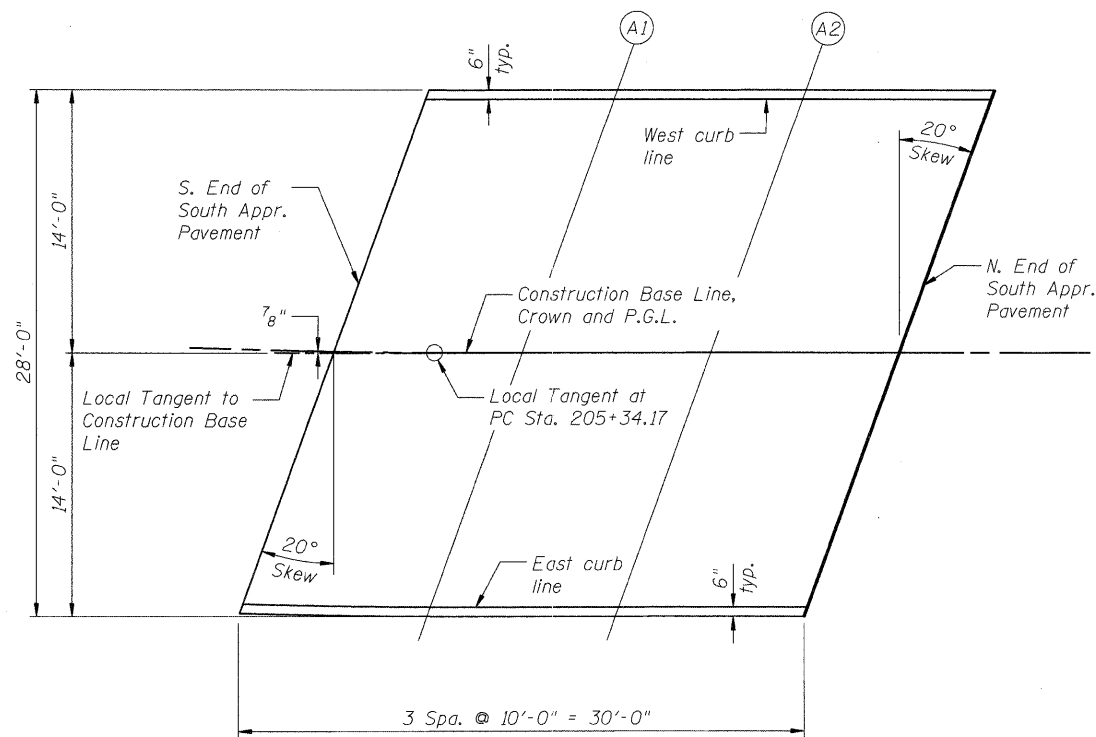
Location	Station	Offset from Construction Baseline	Theoretical Grade Elevations
South End of South Approach	205+30.52	-13.5	822.08
A1	205+40.52	-13.5	821.76
A2	205+50.52	-13.5	821.45
North End of South Approach	205+60.52	-13.5	821.11
South End of North Approach	207+09.81	-13.5	815.71
A3	207+20.19	-13.86	815.32
A4	207+30.82	-14.16	814.92
North End of North Approach	207+41.01	-14.41	814.54

℄. CROWN AND PROFILE GRADE

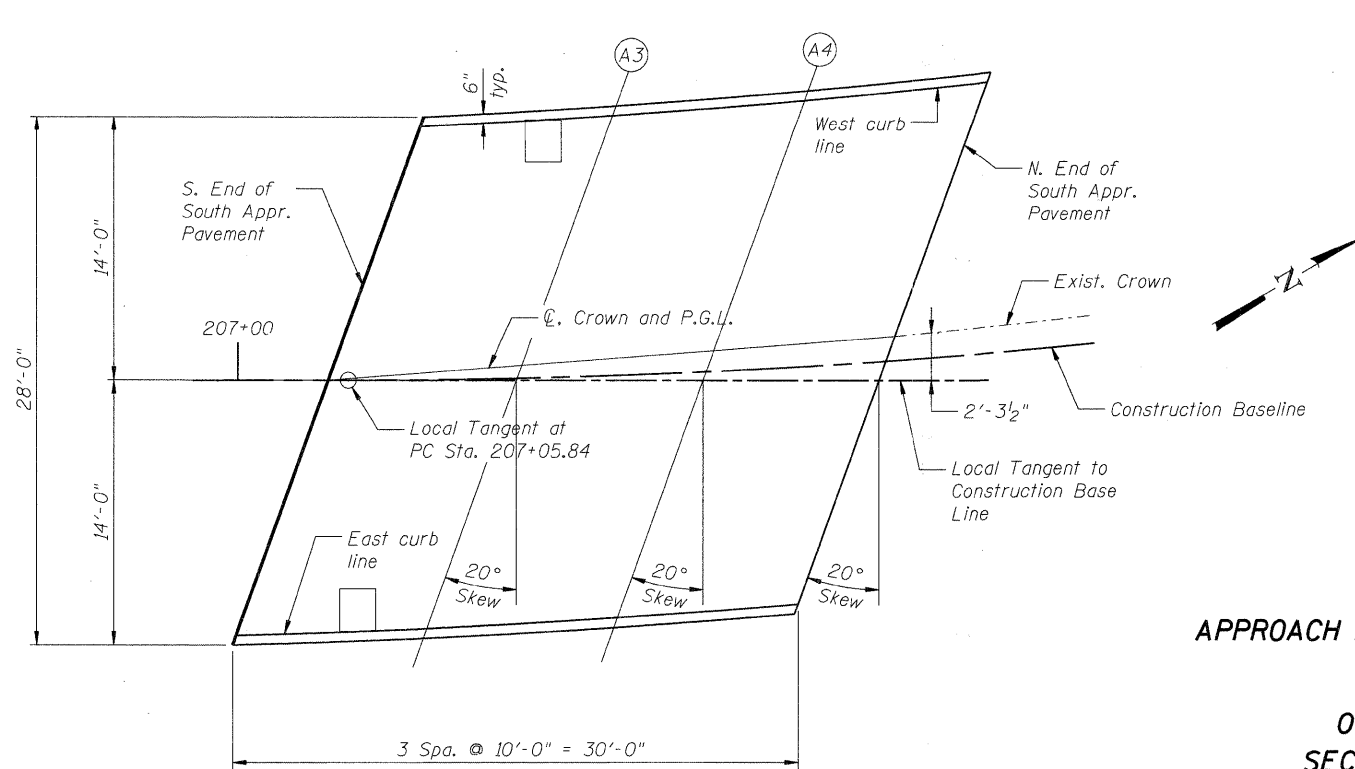
Location	Station	Offset from Construction Baseline	Theoretical Grade Elevations
South End of South Approach	205+26.15	0	822.43
A1	205+36.15	0	822.12
A2	205+46.15	0	821.81
North End of South Approach	205+56.15	0	821.50
South End of North Approach	207+04.78	0	816.10
A3	207+14.89	-0.67	815.72
A4	207+24.95	-1.09	815.34
North End of North Approach	207+34.94	-1.26	814.96

EAST CURB LINE

Location	Station	Offset from Construction Baseline	Theoretical Grade Elevations
South End of South Approach	205+21.78	13.5	822.37
A1	205+31.78	13.5	822.07
A2	205+41.78	13.5	821.76
North End of South Approach	205+51.78	13.5	821.45
South End of North Approach	206+99.89	13.5	816.07
A3	207+09.71	13.18	815.71
A4	207+19.35	12.85	815.34
North End of North Approach	207+28.99	12.56	814.98



SOUTH APPROACH
Skew is relative to Local Tangent



NORTH APPROACH
Skew is relative to Local Tangent

APPROACH PAVEMENT ELEVATIONS & LAYOUT

THOMPSON ROAD
OVER NIPPERSINK CREEK
SECTION NO. 06-00005-00-BR
McHENRY COUNTY
STATION 206+30.48
STRUCTURE NO. 056-6006

DATE: 11/18/09

PLAN

Note: Taper North Approach Slab Crown from Construction Baseline and Profile Grade Line at back of abutment to existing crown of Thompson Road as shown

Stations and offsets are given off of the Construction Baseline



SHEET NO. S-8	F.A.U. RTE.	SECTION	COUNTY	TOTAL SHEETS	SHEET NO.
	4081	06-00005-00-BR	McHENRY	45	19
S-25 SHEETS		CONTRACT NO. 63409			
FED. ROAD DIST. NO. 1		ILLINOIS	FED. AID PROJECT		

DESIGNED	MGH/JPG
CHECKED	KMA
DRAWN	WJH
CHECKED	RGD

FILE NAME: 060563_02.dwg
PLOT DRIVER: pdfplot
PEN TABLE: standard-trans.tbl