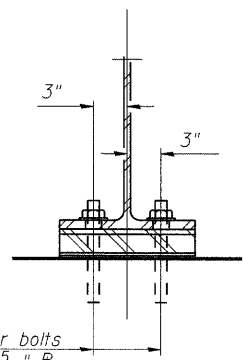


1/8" elastomeric neoprene leveling mat according to Article 1052.02 of the Standard Specifications. Cost included with Furnishing and Erecting Structural Steel.

**ELEVATION AT ABUTMENTS**

**FIXED BEARING AT ABUTMENTS**  
(12 Required)



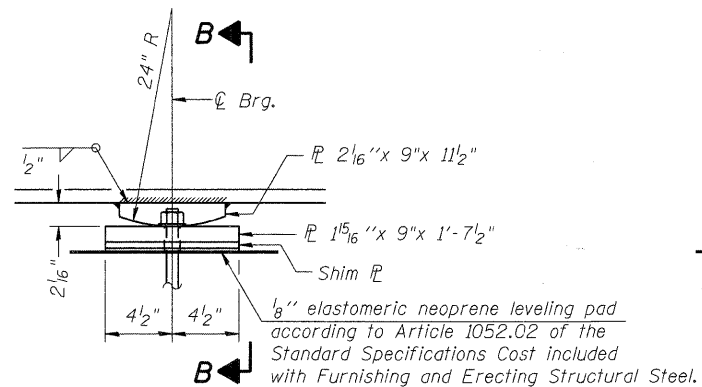
1"  $\phi$  x 12" anchor bolts with 2 1/4" x 2 1/4" x 5/16"  $\mathbb{P}$  washer under nut. 1 3/8" x 2" slotted hole in flange. 1 1/2"  $\phi$  holes in bearing plate.

**SECTION A-A**

*Notes:*  
Anchor bolts at fixed bearings may be built into the masonry.

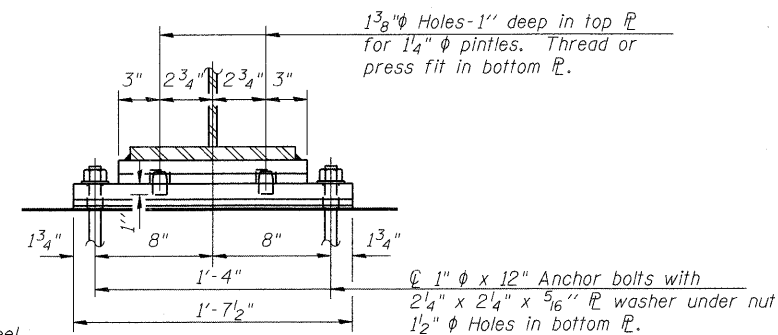
See Article 521.06 of the Standard Specifications for Anchor Bolt installation.

Two 1/8 in. adjusting shims shall be provided for each bearing in addition to all other plates or shims and placed as shown on bearing details.

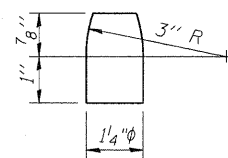


**ELEVATION AT PIERS**

**FIXED BEARING AT PIERS 1 & 2**  
(12 Required)



**SECTION B-B**



**PINTLE**

**BEARING DETAILS**  
**THOMPSON ROAD**  
**OVER NIPPERSINK CREEK**  
**SECTION NO. 06-00005-00-BR**  
**McHENRY COUNTY**  
**STATION 206+30.48**  
**STRUCTURE NO. 056-6006**

DATE: 11/18/09

DESIGNED	MGH/JPG
CHECKED	KMA
DRAWN	WJH
CHECKED	RGD

**SEC GROUP, INC.**  
 Illinois Professional Design Firm # 184-000108  
 • Engineering • Surveying • Planning • Landscape Architecture  
 420 N. Front Street, McHenry, IL 60050  
 T. 815.386.1778 F. 815.386.1781  
 www.secgroupinc.com  
 • McHenry, IL • Yorkville, IL • New Lenox, IL • Chicago, IL

SHEET NO. <b>S-17</b>	F.A.U. RTE.	SECTION	COUNTY	TOTAL SHEETS	SHEET NO.
	4081	06-00005-00-BR	McHENRY	45	28
<b>S-25</b> SHEETS		CONTRACT NO. 63409			
FED. ROAD DIST. NO. 1		ILLINOIS	FED. AID PROJECT		

FILE NAME: 060563.Brg.dwg  
 PLOT DRIVER: pcf.plt  
 PEN TABLE: standard-trans.tbl  
 DATE: 11/18/09