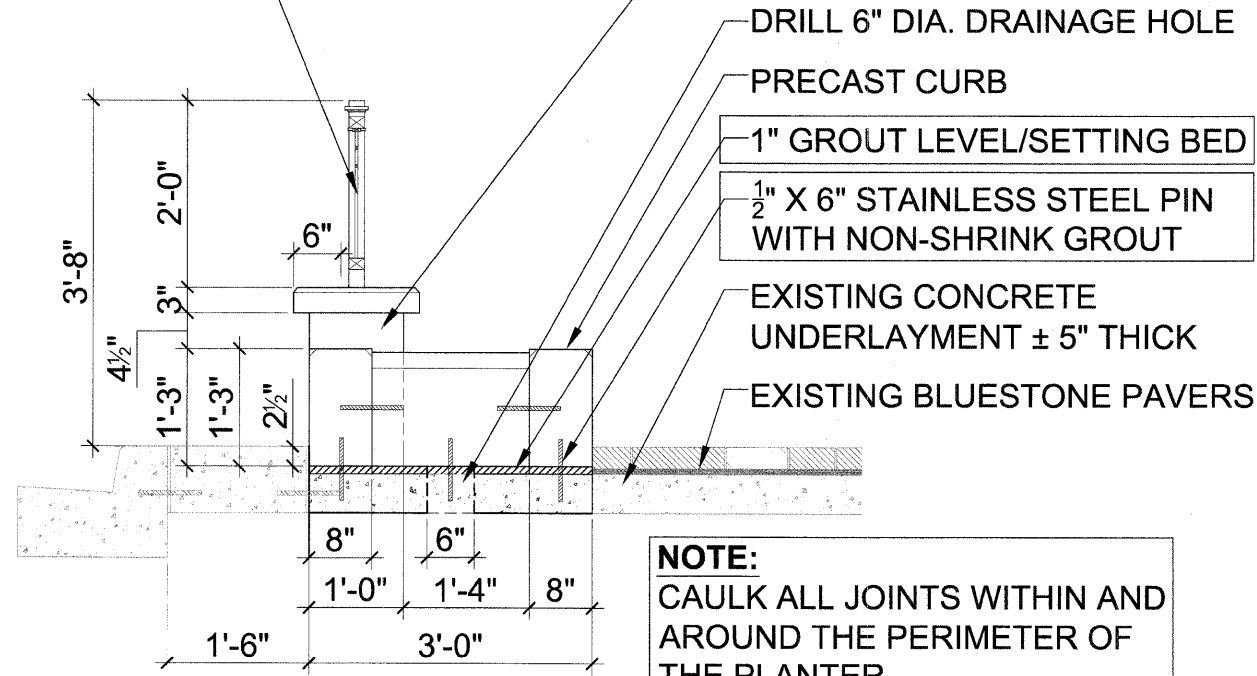


ORNAMENTAL METAL FENCE

1
20

1
17
PLANTER WALL



NOTE:
CAULK ALL JOINTS WITHIN AND AROUND THE PERIMETER OF THE PLANTER.

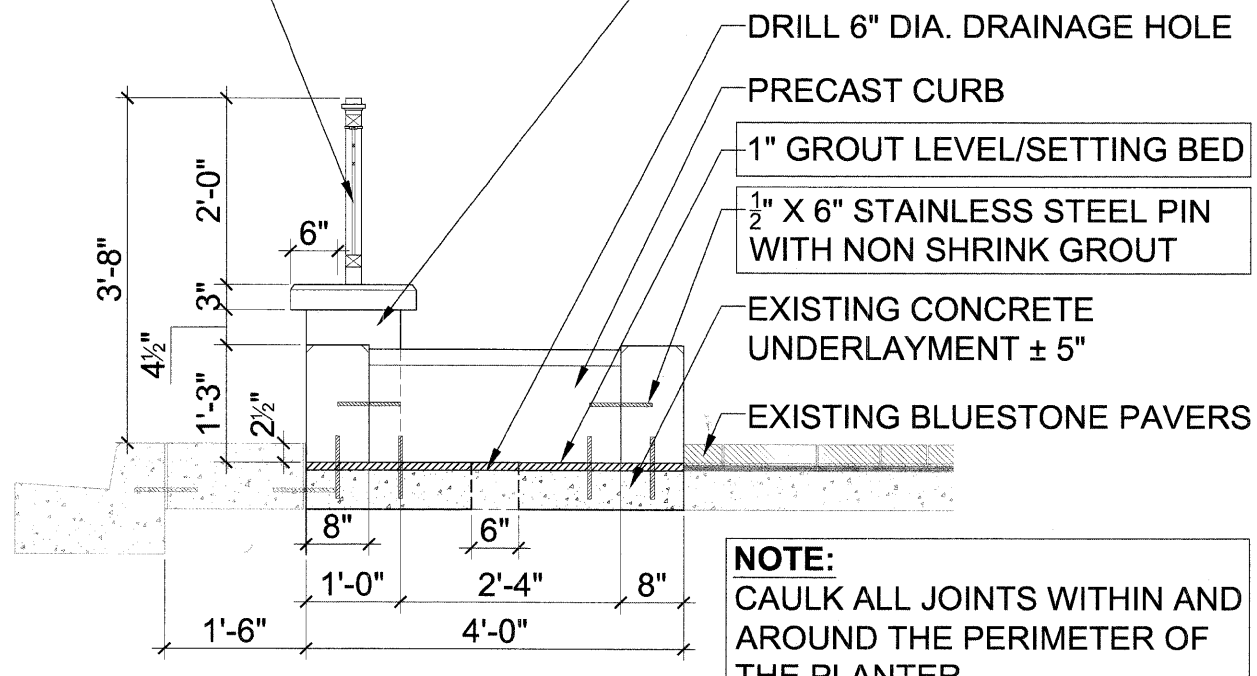
1 PLANTER TYPE A - SECTION

d-planter-section
1" = 1'-0"

ORNAMENTAL METAL FENCE

1
20

1
17
PLANTER WALL



NOTE:
CAULK ALL JOINTS WITHIN AND AROUND THE PERIMETER OF THE PLANTER.

2 PLANTER TYPE B - SECTION

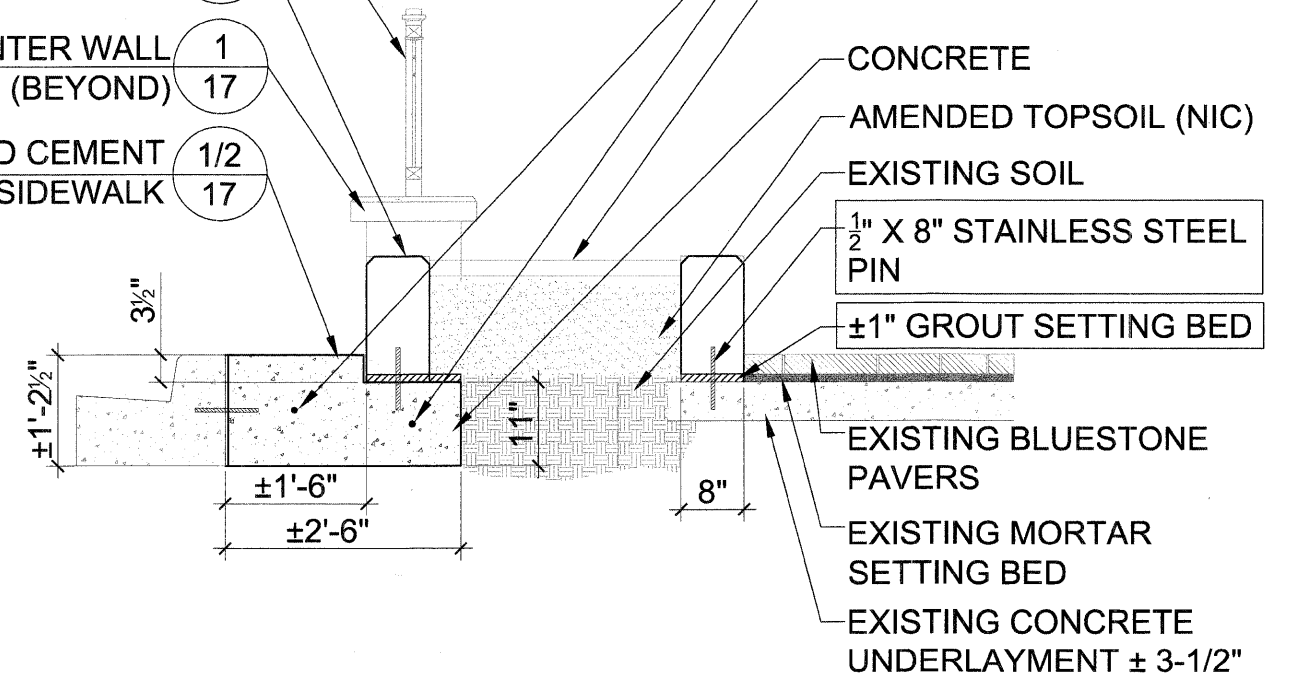
d-planter-section-b
1" = 1'-0"

NOTE (FOR ALL DETAILS): BOXED NOTES INDICATE INCIDENTAL ITEMS OF WORK INCLUDED IN THE COST OF PAY ITEM DETAILED.

ORNAMENTAL METAL FENCE (BEYOND)
PLANTER CURB
PLANTER WALL (BEYOND)
PORTLAND CEMENT CONCRETE SIDEWALK

1
20
1/2/3
18
1
17
1/2
17

#4 REBAR, CONTINUOUS
1/2/3 PLANTER CURB (BEYOND)
18



3 PORTLAND CEMENT CONCRETE PLANTER CURB AND WALL UNDERLAYMENT

d-planter footing
1" = 1'-0"

FILE NAME =	USER NAME = SUBERS	DESIGNED - TCK/MEU	REVISED - DECEMBER 1, 2009
SFILELS		DRAWN - RWR	REVISED -
	PLOT SCALE = SSCALES	CHECKED - TCK/TRR	REVISED -
	PLOT DATE = SDATES	DATE - OCTOBER 16, 2009	REVISED -

STATE OF ILLINOIS
DEPARTMENT OF TRANSPORTATION

DETAILS	
WEST DUNDEE STREETScape PROJECT	
SCALE: AS NOTED	SHEET NO. 16 OF 20 SHEETS
STA. N/A	TO STA. N/A

F.A.P. RTE.	SECTION	COUNTY	TOTAL SHEETS	SHEET NO.
341	09-00056-00-LS	KANE	20	16
C-91-188-10		CONTRACT NO. 63418		
FED. ROAD DIST. NO. 1 ILLINOIS FED. AID PROJECT ARA-9003(529)				