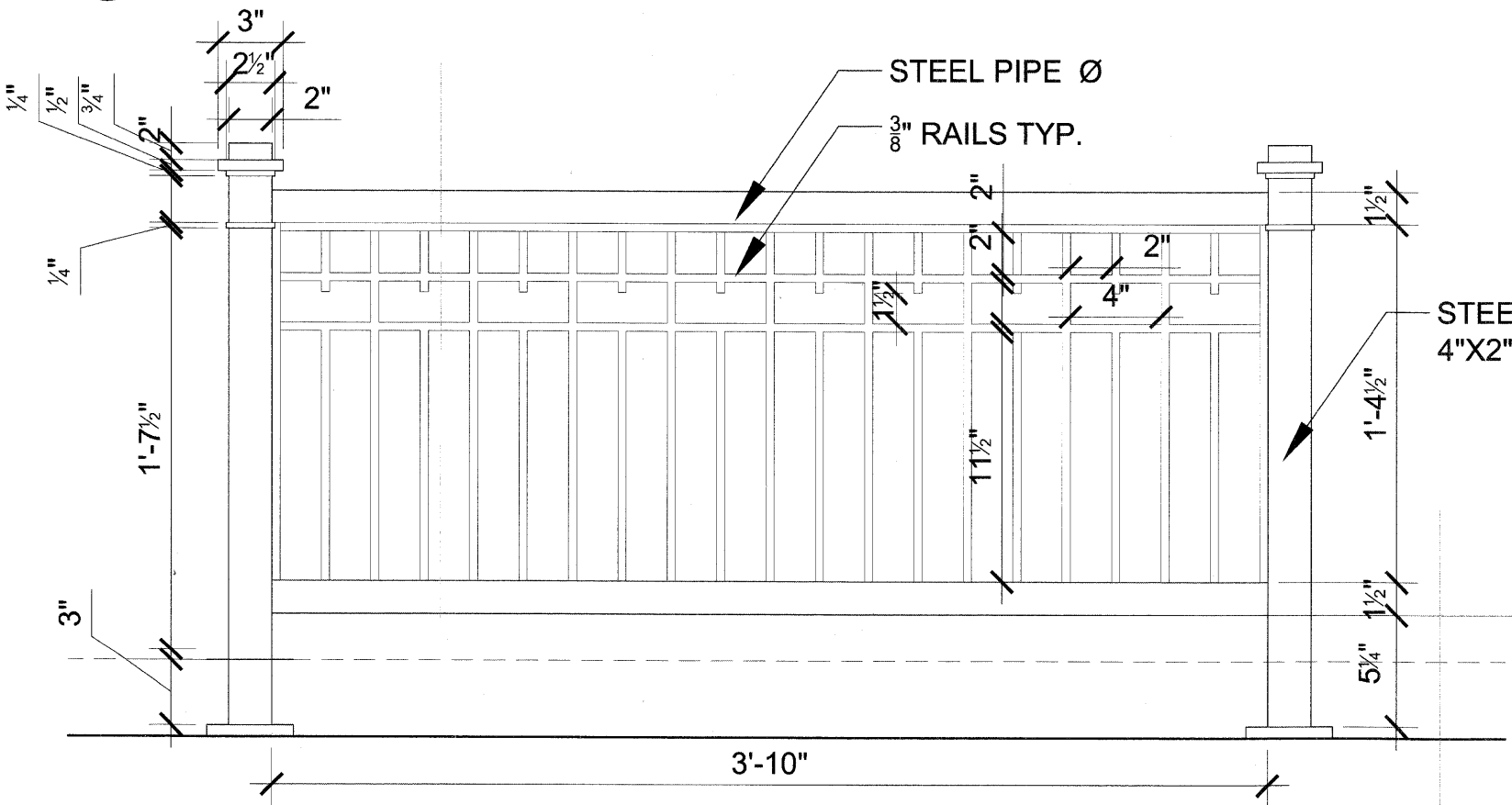


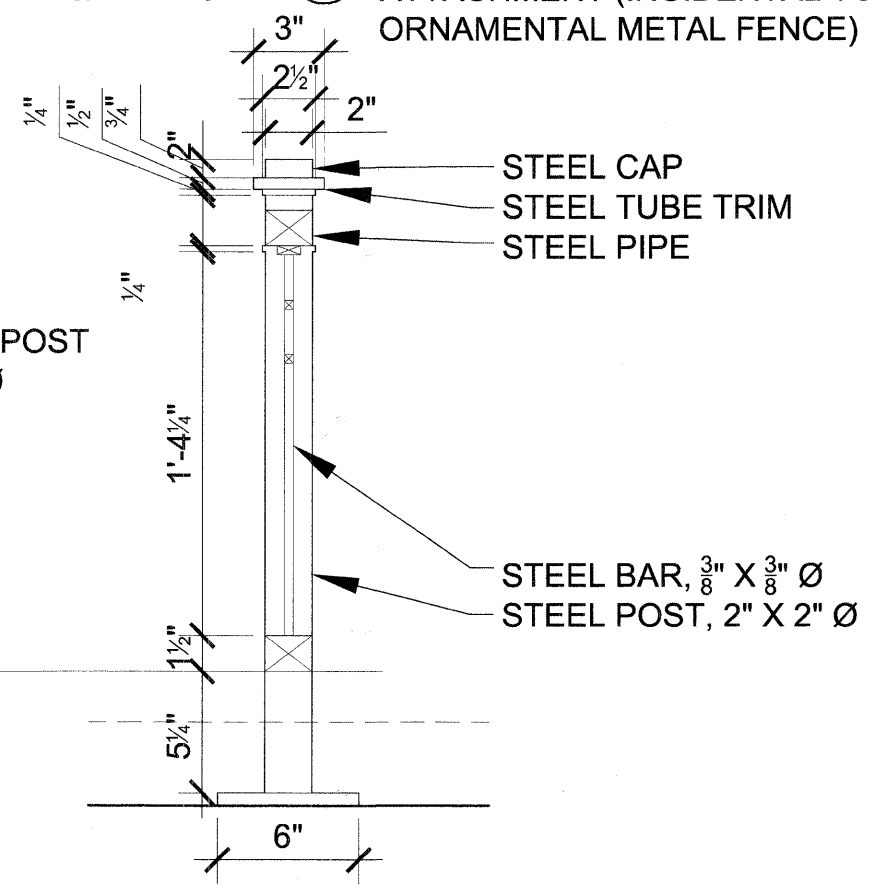
1 ORNAMENTAL METAL FENCE - PLANTER ELEVATION



2 ORNAMENTAL METAL FENCE - TYPICAL PANEL

3 ORNAMENTAL METAL FENCE - ATTACHMENT (INCIDENTAL TO ORNAMENTAL METAL FENCE) SCALE: 3" = 1'-0"

d-file name
3/4" = 1'-0"



d-file name

SCALE: 3" = 1'-0"

FILE NAME = SFILEL	USER NAME = SUSERS	DESIGNED - TCKMEU	REVISED - DECEMBER 1, 2009	STATE OF ILLINOIS DEPARTMENT OF TRANSPORTATION	DETAILS WEST DUNDEE STREETSCAPE PROJECT		F.A.P. RTE. 341	SECTION 09-00056-00-LS	COUNTY KANE	TOTAL SHEETS 20	SHEET NO. 20
	PLOT SCALE = SCALES	CHECKED - TCK/TRR	REVISED -		SCALE: AS NOTED	SHEET NO. 20 OF 20 SHEETS	STA. N/A TO STA. N/A	C-91-188-10		CONTRACT NO. 63418	
	PLOT DATE = SDATES	DATE - OCTOBER 16, 2009	REVISED -				FED. ROAD DIST. NO. 1		ILLINOIS	FED. AID PROJECT ARA-9003(529)	