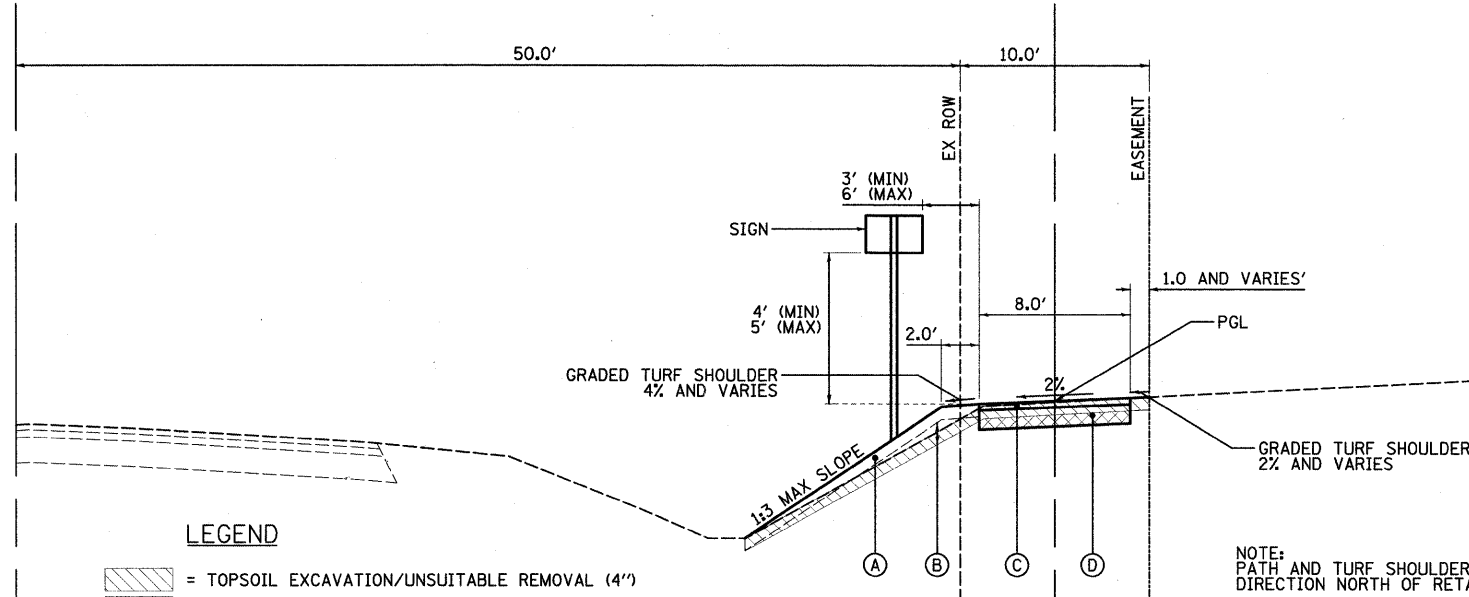


104TH AVENUE

BICYCLE PATH



**LEGEND**

- = TOPSOIL EXCAVATION/UNSUITABLE REMOVAL (4")
- = EARTH EXCAVATION
- = TOPSOIL PLACEMENT (4")
- = EMBANKMENT
- = HOT-MIX ASPHALT SURFACE COURSE, MIX "C", N50 (2")
- = AGGREGATE BASE COURSE, TYPE B 6"
- = CONCRETE GUTTER, TYPE B

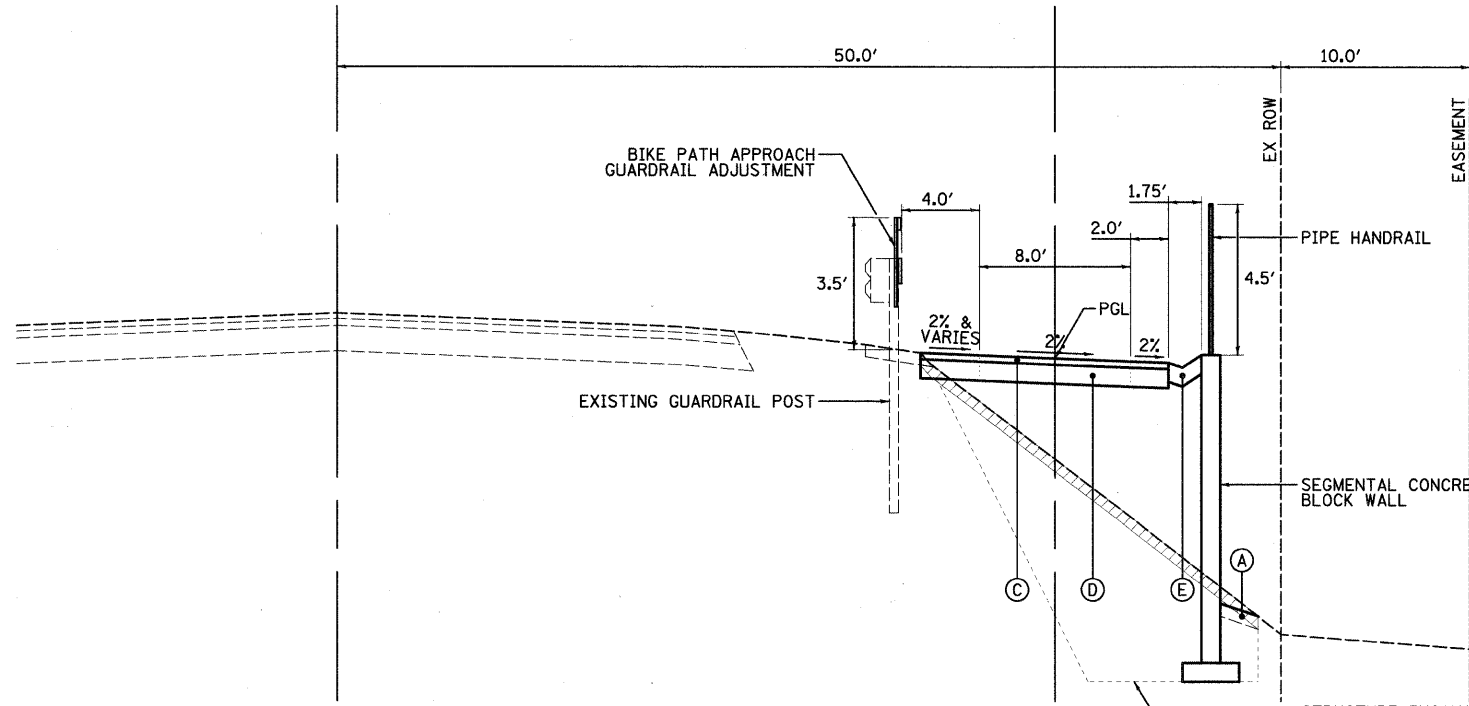
NOTE:  
PATH AND TURF SHOULDERS SLOPE IN OPPOSITE  
DIRECTION NORTH OF RETAINING WALL.

**TYPICAL SECTION**

BICYCLE PATH IN EASEMENT OR AT-GRADE

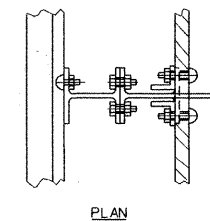
104TH AVENUE

BICYCLE PATH



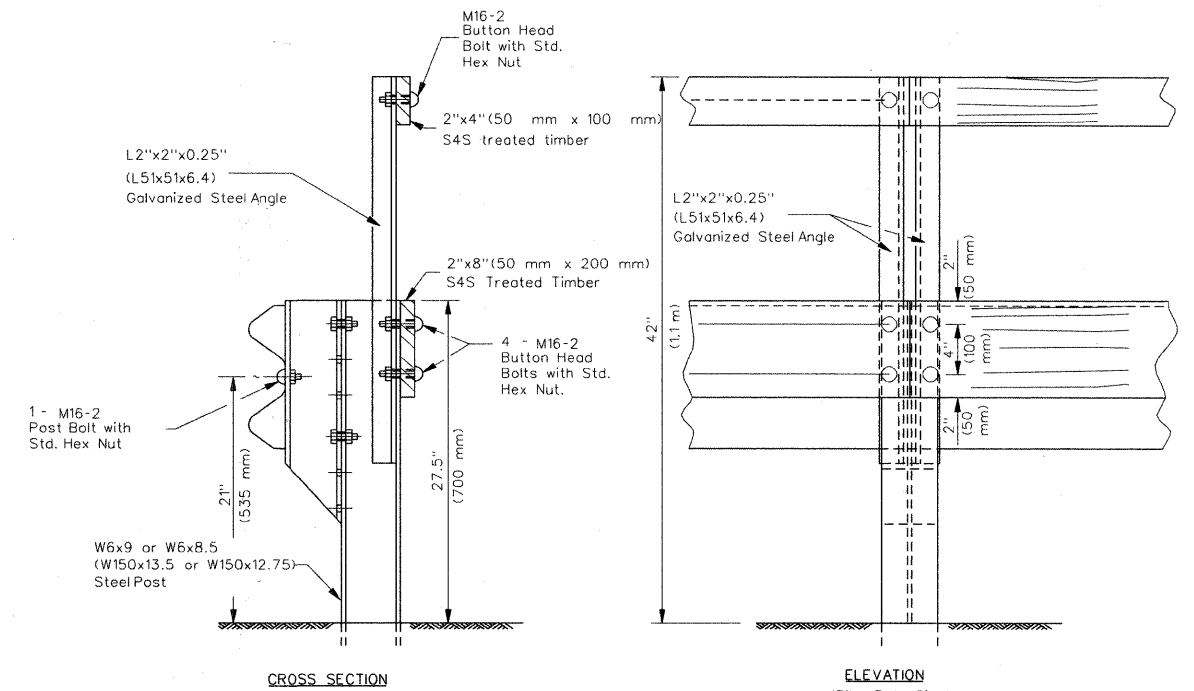
**TYPICAL SECTION**

BICYCLE PATH ADJACENT TO ROADWAY  
WITH RETAINING WALL



PLAN

NOTE:  
STEEL ANGLES AND RAILS SHALL BE INSTALLED AND  
FASTENED AT EVERY GUARDRAIL POST



CROSS SECTION

ELEVATION  
(Bike Path Side)

**BIKE PATH APPROACH  
GUARDRAIL ADJUSTMENT DETAILS**

FILE NAME =	USER NAME = MTomasze
I:\Dgn\CA00 Sheets\ts001.dgn	
PLOT SCALE = 1:5	
PLOT DATE = 11/30/2009	

DESIGNED -	REVISIONS
DRAWN -	REVISIONS
CHECKED -	REVISIONS
DATE - 12/01/09	REVISIONS

DESIGNED -	REVISIONS
DRAWN -	REVISIONS
CHECKED -	REVISIONS
DATE - 12/01/09	REVISIONS

DESIGNED -	REVISIONS
DRAWN -	REVISIONS
CHECKED -	REVISIONS
DATE - 12/01/09	REVISIONS

STATE OF ILLINOIS  
DEPARTMENT OF TRANSPORTATION

104TH AVENUE BICYCLE PATH  
TYPICAL SECTIONS

SCALE: N.T.S. SHEET NO. 1 OF 1 SHEETS STA. TO STA.

F.A.U. RTE.	SECTION	COUNTY	TOTAL SHEETS	SHEET NO.
2696	09-00067-00-BT	COOK	15	3
CONTRACT NO. 63434				
FED. ROAD DIST. NO. 1 ILLINOIS FED. AID PROJECT				