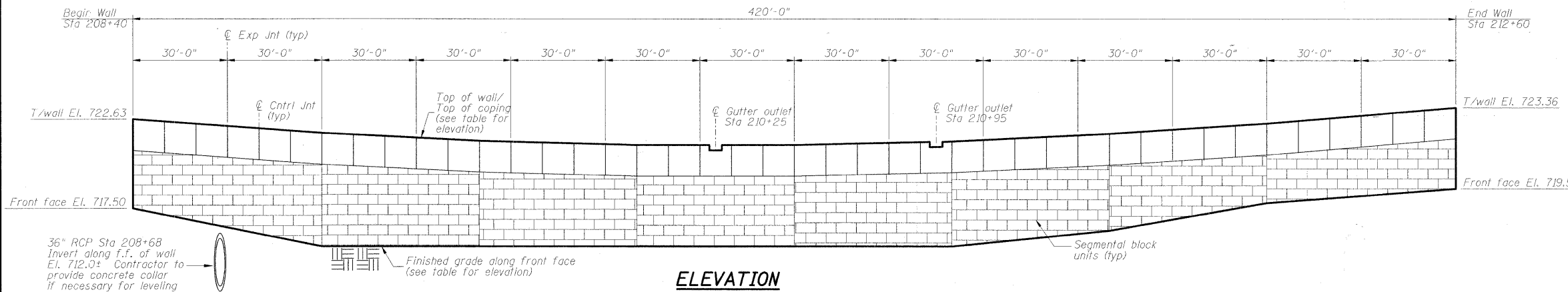


WALL ELEVATIONS

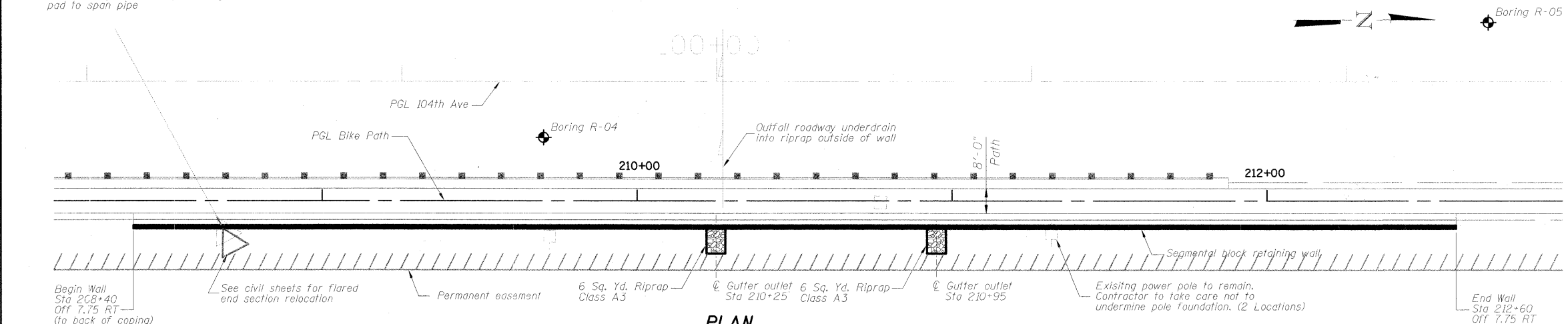
Station	Top of wall El.	Grade along f.f. wall
208+40	722.63	717.50
208+50	722.46	716.00
209+00	721.72	714.50
209+50	721.22	714.50
210+00	720.96	714.50
210+50	720.95	714.50
211+00	721.19	714.50
211+50	721.67	715.50
212+00	722.33	716.75
212+50	723.19	718.00
212+60	723.36	719.50

BILL OF MATERIAL

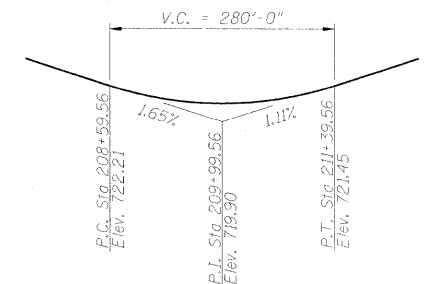
Pay Item	Unit	Quantity
Stone Riprap, Class A3	Sq. Yd.	12
Filter Fabric	Sq. Yd.	12
Structure Excavation	Cu. Yd.	760
Pipe Handrail	Foot	420
Concrete Gutter, Type B	Foot	420
Segmental Concrete Block Wall	Sq. Ft.	3,050



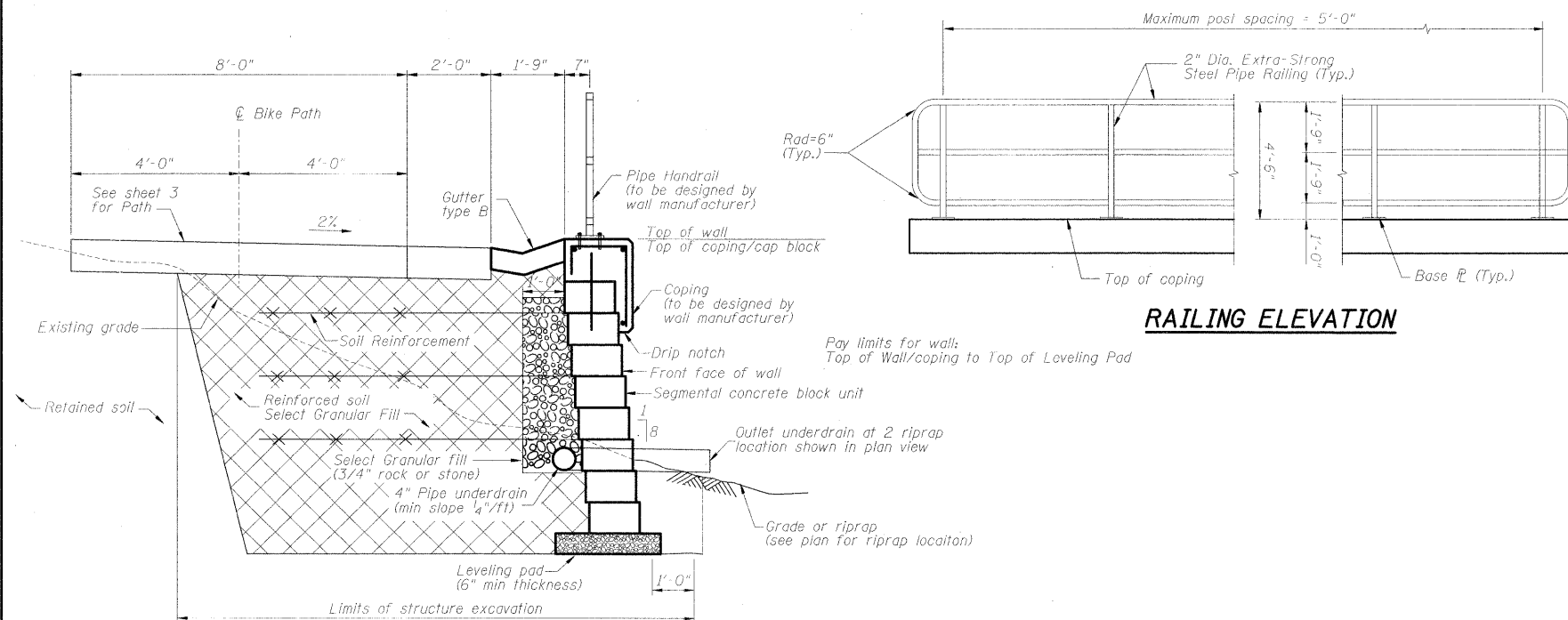
ELEVATION



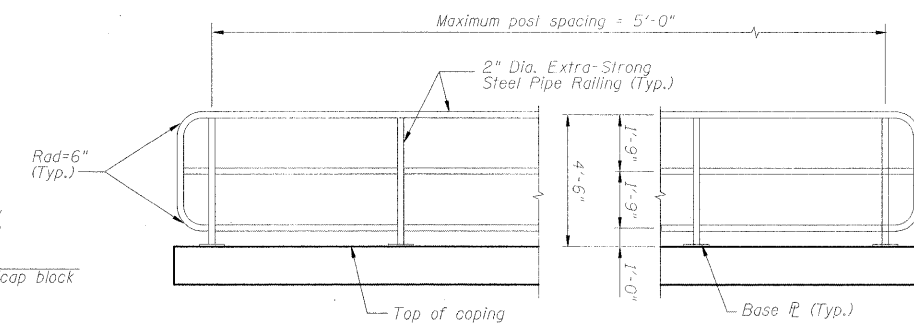
PLAN



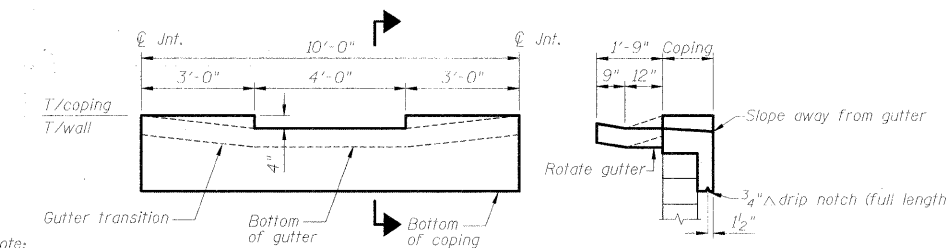
PROFILE GRADE



TYPICAL WALL SECTION



RAILING ELEVATION



GUTTER OUTLET

SECTION THRU OUTLET

NOTES:

- All concrete shall have a minimum compressive strength of 3,500 psi.
- All exposed concrete edges shall have a 3/4" x 3/4" chamfer.
- All reinforcement shall be epoxy coated and conform to the requirements of AASTHO M31, M42 or M53 Grade 60 deformed bars.
- Clear cover on all reinforcement shall be 2"
- All backfill material shall be compacted to at least 95% of Standard Proctor density.
- All construction joints shall be bonded.
- Wall shall be designed to accommodate a surcharge of 240 psf.
- Railing shall be designed per AASTHO Bicycle Rail Loading of 50 pounds per foot.
- All posts, rails, splices, and plates shall be galvanized according to AASTHO M111.
- Depth of leveling pad to be determined by manufacturer. For quantity purposes the top of leveling pad is assumed to be 1' below grade along front face of wall.
- Cost of coping and any necessary reinforcement, including design, is included in the cost of "Segmental Concrete Block Wall."
- Cost of any necessary concrete collar and reinforcement is included in the cost of "Segmental Concrete Block Wall."
- Cost of Pipe underdrain and outlet pipe is included in the cost of "Segmental Concrete Block Wall."

McDonough Associates Inc.
Engineers / Architects
130 East Randolph Street, Chicago, Illinois 60601

FILE NAME =
H:\0901\94\gnc\ADD Sheets\rvw01.dgn

USER NAME = jehrbart
PLOT SCALE = 1:20
PLOT DATE = 11/30/2009

DESIGNED - JCE
DRAWN - JCE
CHECKED - GEK
DATE - 12/01/09

REVISED -
REVISED -
REVISED -
REVISED -

STATE OF ILLINOIS
DEPARTMENT OF TRANSPORTATION

104TH AVENUE BICYCLE PATH
SEGMENTAL CONCRETE BLOCK WALL

SCALE: SHEET NO. OF SHEETS STA. TO STA.

F.A.U. RTE.	SECTION	COUNTY	TOTAL SHEETS	SHEET NO.
2696	09-00067-00-BT	COOK	15	6
FED. ROAD DIST. NO. 1 ILLINOIS FED. AID PROJECT				CONTRACT NO. 63434