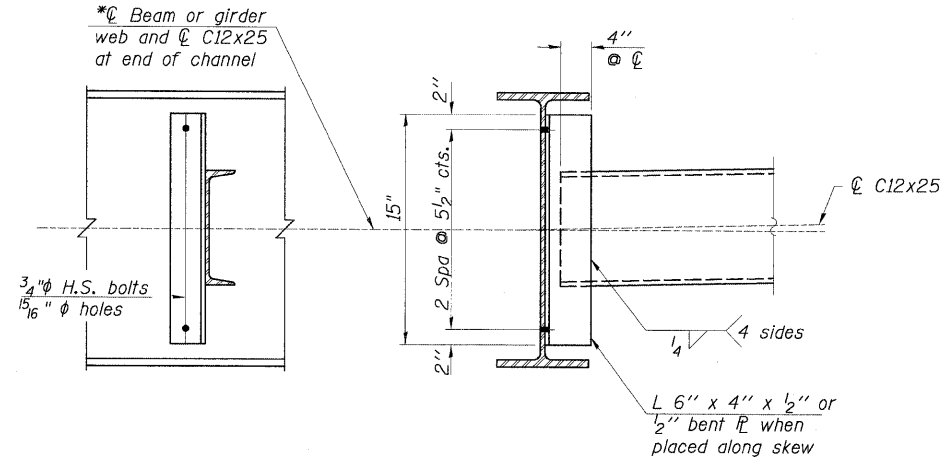


ELEVATION

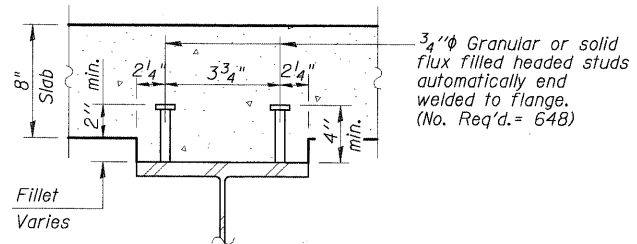
SECTION A-A

**FIXED BEARING  
AT EAST & WEST ABUTMENT**

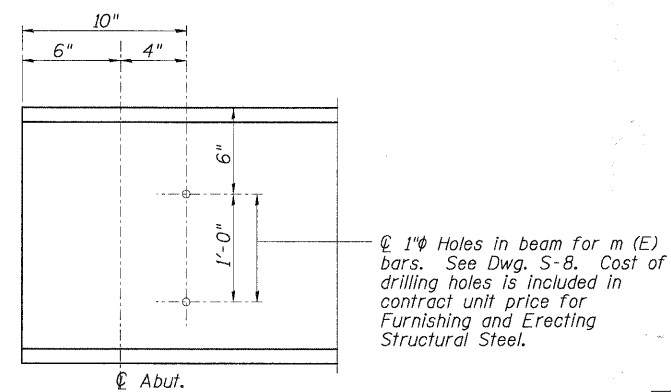


INTERIOR DIAPHRAGM

Note:  
Two hardened washers required for each set of oversized holes.  
\*Alternate channels are permitted to facilitate material acquisition. Calculated weight of structural steel is based on the lighter section. The alternate, if utilized, shall be provided at no additional cost to the Department.



TYPICAL SHEAR CONNECTOR DETAIL



TYPICAL END OF BEAM ELEVATION

DESIGNED -	200
CHECKED -	EXAMINED
DRAWN -	PASSED
CHECKED -	ENGINEER OF BRIDGES AND STRUCTURES

STEEL DETAILS  
 WHITEHALL AVENUE OVER  
 ADDISON CREEK  
 F.A. RTE. 4025  
 SECTION 09-00071-00-BR  
 COOK COUNTY  
 STATION 30+67.04  
 STRUCTURE No. 016-7618

SHEET NO. S-11 SHEETS	F.A. RTE.	SECTION	COUNTY	TOTAL SHEETS	SHEET NO.
	4025	09-00071-00-BR	COOK	31	23
CONTRACT NO. 63437					
FED. ROAD DIST. NO.		ILLINOIS FED. AID PROJECT			