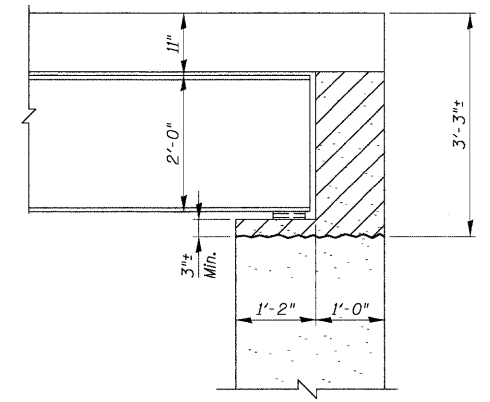
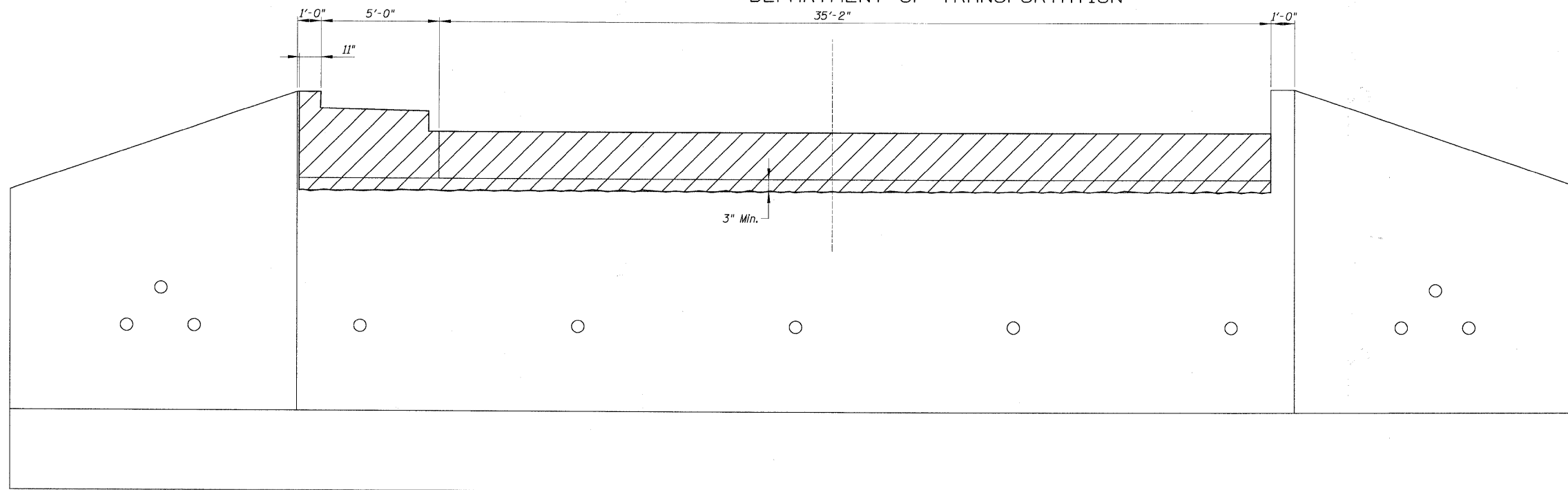
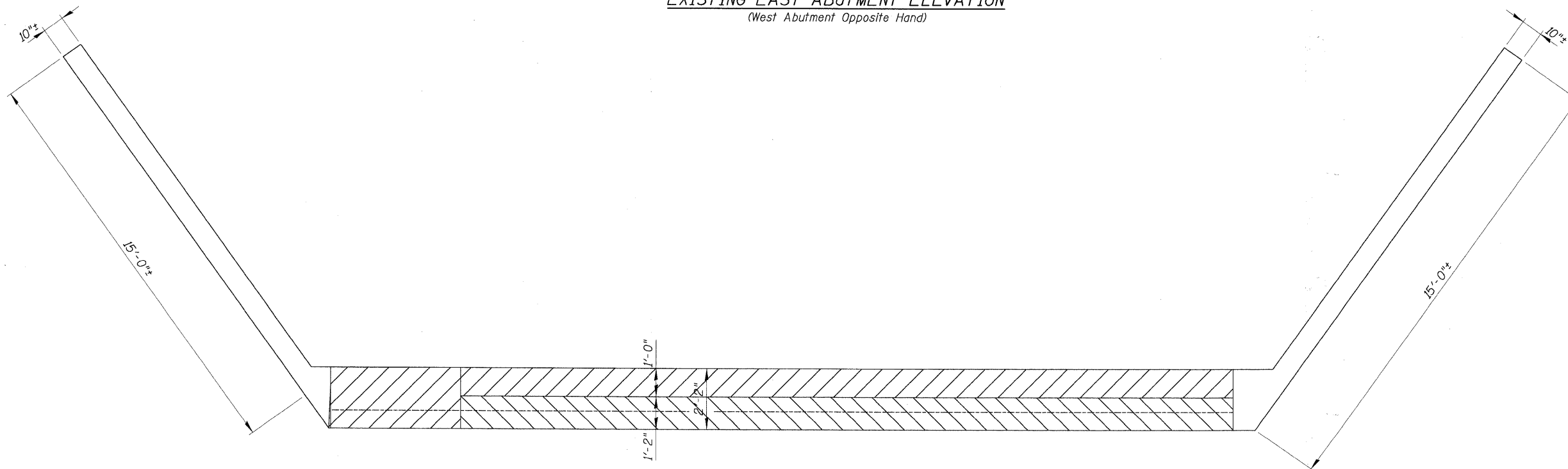


STATE OF ILLINOIS  
DEPARTMENT OF TRANSPORTATION



SECTION THRU ABUTMENTS

EXISTING EAST ABUTMENT ELEVATION  
(West Abutment Opposite Hand)



LEGEND:

- Concrete Removal (Backwall/Abutment)
- Concrete Removal (Beam Seat)

EXISTING ABUTMENT  
WHITEHALL AVENUE OVER  
ADDISON CREEK  
F.A. RTE. 4025  
SECTION 09-00071-00-BR  
COOK COUNTY  
STATION 30+67.04  
STRUCTURE No. 016-7618

EXISTING EAST ABUTMENT PLAN  
(West Abutment Opposite Hand)

DESIGNED -	200
CHECKED -	EXAMINED
DRAWN -	PASSED
CHECKED -	ENGINEER OF BRIDGES AND STRUCTURES

SHEET NO. S-12 SHEETS	F.A. RTE.	SECTION	COUNTY	TOTAL SHEETS	SHEET NO.
	4025	09-00071-00-BR	COOK	31	24
CONTRACT NO. 63437					
FED. ROAD DIST. NO. ILLINOIS FED. AID PROJECT					