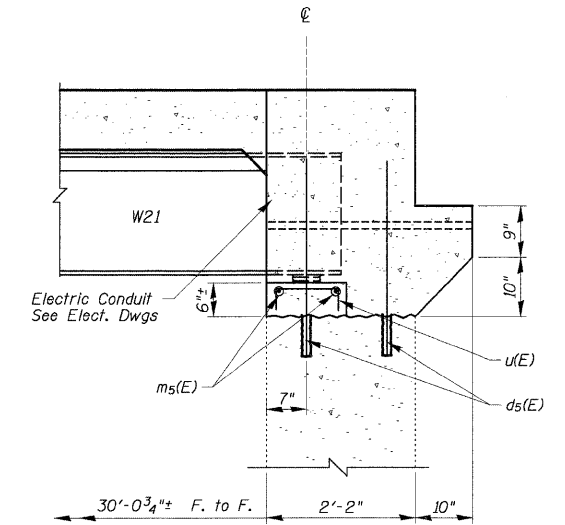
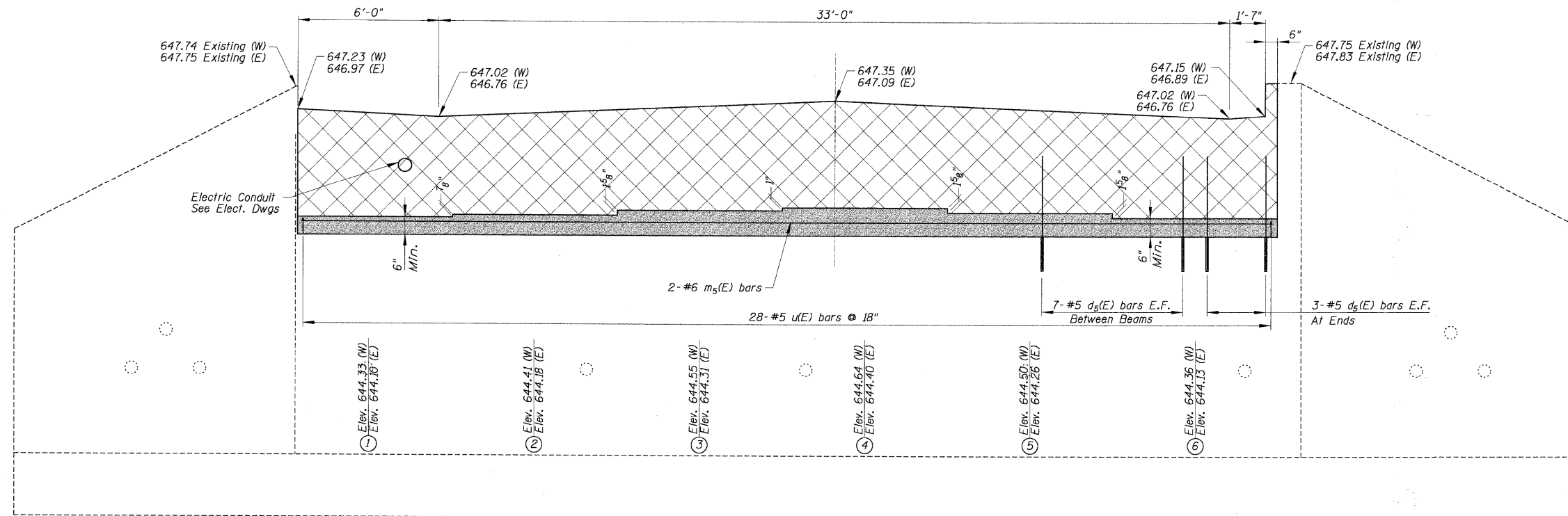


STATE OF ILLINOIS
DEPARTMENT OF TRANSPORTATION



SECTION THRU ABUTMENTS

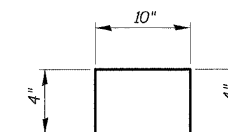
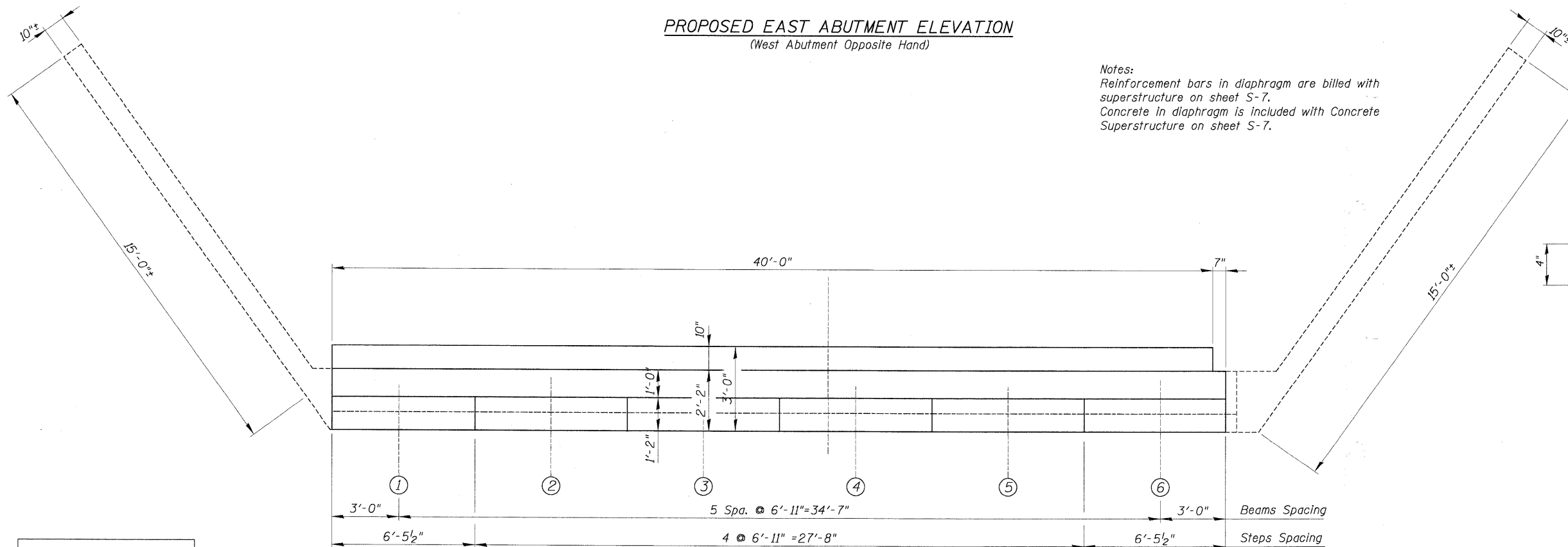
BILL OF MATERIAL
(FOR EACH ABUTMENT)

Bar	No.	Size	Length	Shape
d5(E)	82	#5	2'-8"	—
m5(E)	2	#6	40'-6"	—
u(E)	28	#5	1'-6"	□
Reinforcement Bars, Epoxy Coated		Pound	400	
Concrete Structures		Cu. Yds.	1.1	

Bars indicated thus 1 x 3 - #8 etc. indicates 1 line of bars with 3 lengths per line.

PROPOSED EAST ABUTMENT ELEVATION
(West Abutment Opposite Hand)

Notes:
Reinforcement bars in diaphragm are billed with superstructure on sheet S-7.
Concrete in diaphragm is included with Concrete Superstructure on sheet S-7.



BAR u(E)

LEGEND:

- Concrete Structures
- To Be Poured After Beams Have Been Erected

PROPOSED ABUTMENT
WHITEHALL AVENUE OVER
ADDISON CREEK
F.A. RTE. 4025
SECTION 09-00071-00-BR
COOK COUNTY
STATION 30+67.04
STRUCTURE No. 016-7618

DESIGNED -	200
CHECKED -	EXAMINED
DRAWN -	ENGINEER OF BRIDGE DESIGN
CHECKED -	PASSED
	ENGINEER OF BRIDGES AND STRUCTURES

PROPOSED EAST ABUTMENT PLAN
(West Abutment Opposite Hand)

SHEET NO. S-13 SHEETS	F.A. RTE.	SECTION	COUNTY	TOTAL SHEETS	SHEET NO.
	4025	09-00071-00-BR	COOK	31	25
CONTRACT NO. 63437					
FED. ROAD DIST. NO. ILLINOIS FED. AID PROJECT					