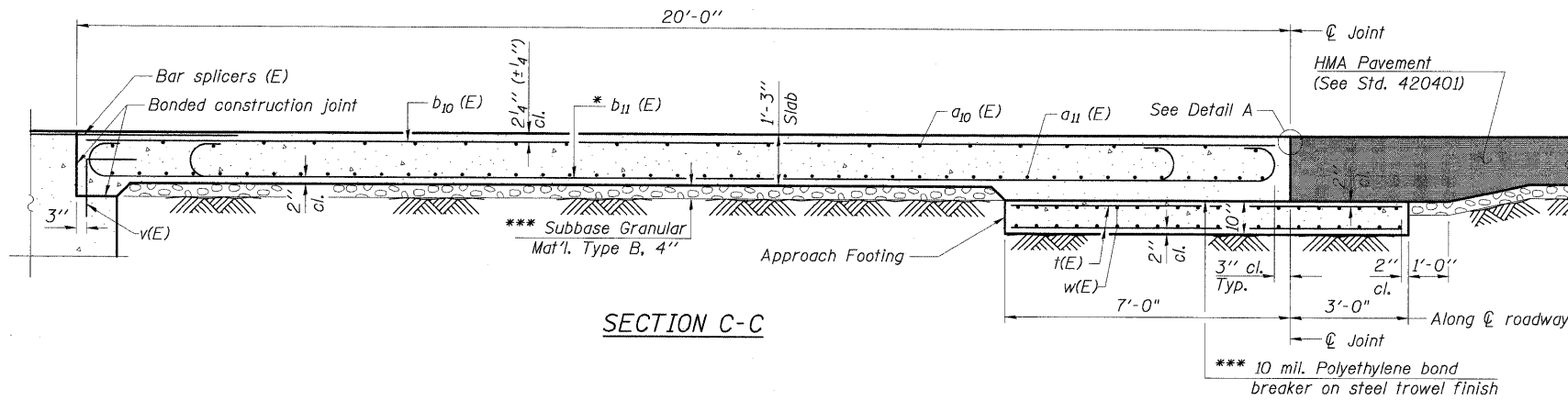


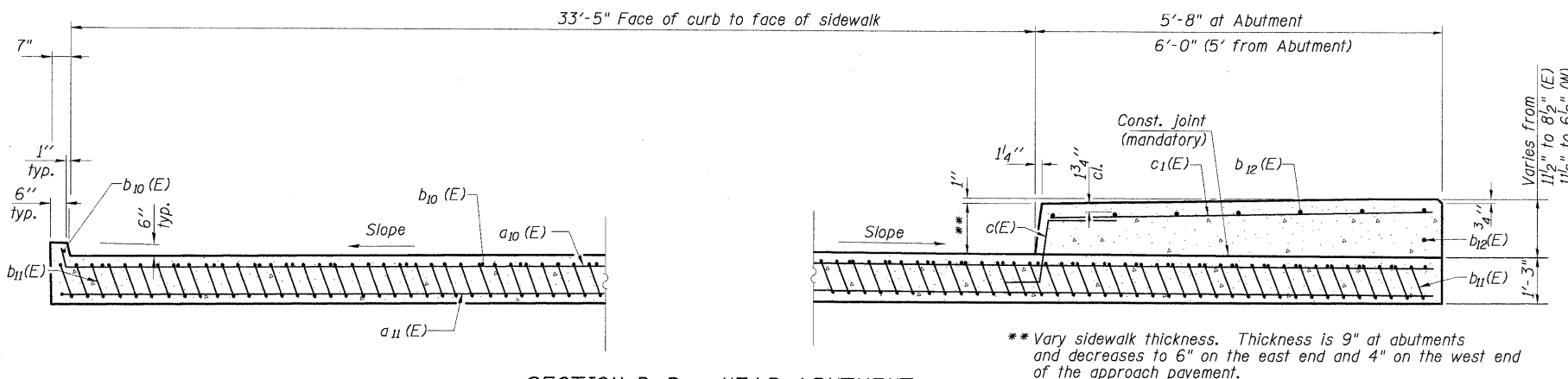
STATE OF ILLINOIS
DEPARTMENT OF TRANSPORTATION



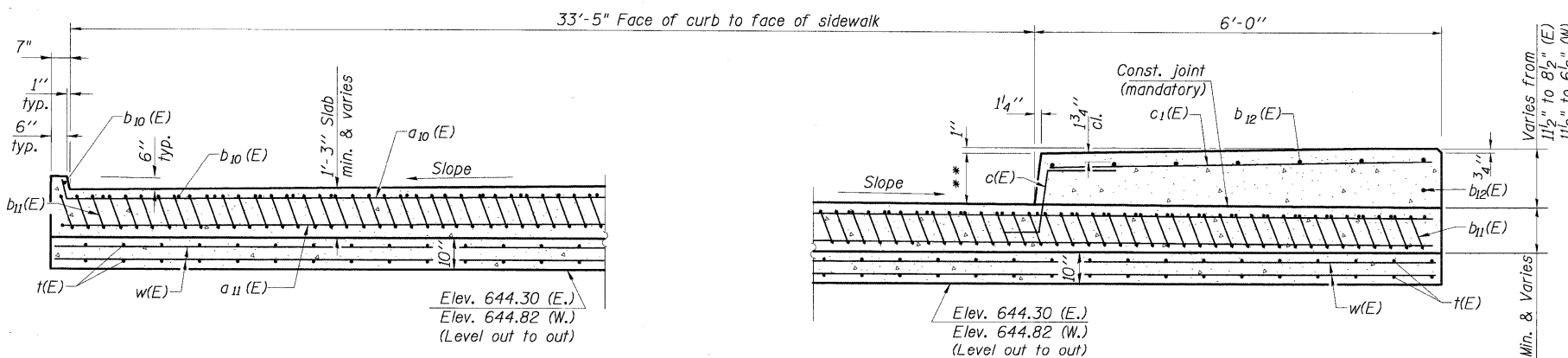
SECTION C-C

Notes:
See sheet S-14 for Detail A
Approach slab, sidewalk and parapet concrete shall be paid for as Concrete Superstructure.
Approach footing concrete shall be paid for as Concrete Structures.
Reinforcement shall be paid for as Reinforcement Bars, Epoxy Coated.
For v(E) bar details, see sheet S-8.
The approach footing maximum applied service bearing pressure (Qmax) = 2.0 ksf.
Cost of excavation for approach footing included with Concrete Structures.

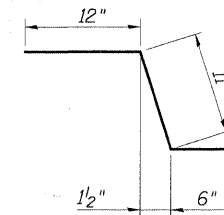
* Tilt #9 b11(E) bars as required to maintain clearance.
*** Cost included with Concrete Superstructure.



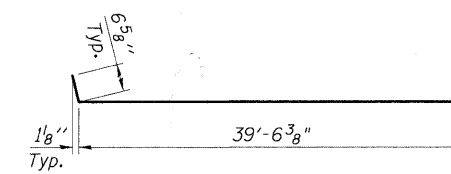
SECTION D-D - NEAR ABUTMENT
(See Plan for dimensions not shown)



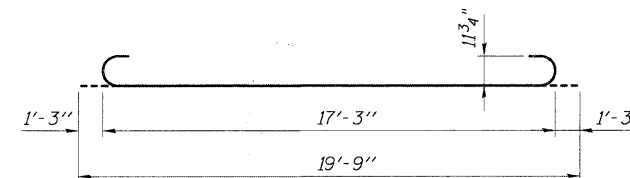
SECTION D-D - AT APPROACH FOOTING
(See Plan for dimensions not shown)



BAR c(E)



BAR a10(E)



BAR b11(E)

TWO APPROACHES
BILL OF MATERIAL

Bar	No.	Size	Length	Shape
a10(E)	34	#4	40'-1"	
a11(E)	62	#5	39'-6"	
b10(E)	66	#4	19'-8"	
b11(E)	192	#9	19'-9"	
b12(E)	16	#5	19'-8"	
c(E)	42	#5	2'-5"	
c1(E)	42	#5	5'-6"	
t(E)	160	#4	9'-8"	
w(E)	80	#5	39'-6"	
Concrete Superstructure		Cu. Yd.	90.3	
Concrete Structures		Cu. Yd.	24.7	
* Reinforcement Bars, Epoxy Coated		Pound	22,230	

* Superstructure = 17,900 lbs.
Substructure = 4,330 lbs.

(Sheet 2 of 2)
BRIDGE APPROACH SLAB DETAILS
WHITEHALL AVENUE OVER
ADDISON CREEK
F.A. RTE. 4025
SECTION 09-00071-00-BR
COOK COUNTY
STATION 30+67.04
STRUCTURE No. 016-7618

DESIGNED -	200
CHECKED -	EXAMINED
DRAWN -	PASSED
CHECKED -	ENGINEER OF BRIDGE DESIGN
	ENGINEER OF BRIDGES AND STRUCTURES

SHEET NO. S-15 SHEETS	F.A. RTE.	SECTION	COUNTY	TOTAL SHEETS	SHEET NO.
	4025	09-00071-00-BR	COOK	31	27
CONTRACT NO. 63437					
FED. ROAD DIST. NO. ILLINOIS FED. AID PROJECT					