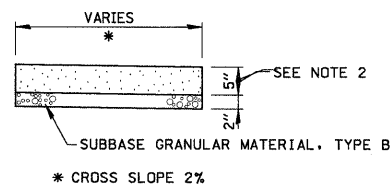


GENERAL NOTES:
FRAME: Top flange fabricated from 1 1/4" x 1 1/4" x 3/8" angle. Base rim fabricated from 1 1/2" x 1/2" x 3/8" channel. Handles and suspension brackets fabricated from 1 1/4" x 1/4" flat stock. All steel conforming to ASTM-A36.
SEDIMENT BAG: Bag fabricated from 4 oz./sq.yd. non-woven polypropylene geotextile reinforced with polyester mesh. Bag secured to base rim with a stainless steel band and lock.

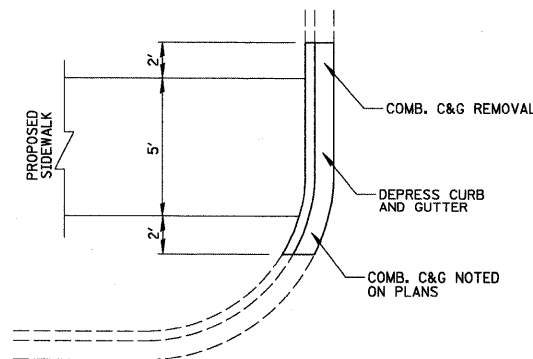
DATE	REVISIONS	
01-11-02	Original	Typical Round Catch-All
		Marathon Materials, Inc.

INLET FILTER

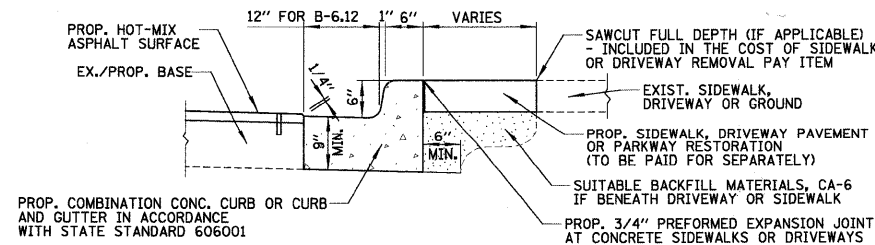


- NOTES:**
1. ALL REQUIRED EARTH EXCAVATION TO CONSTRUCT P.C.C. SIDEWALK SHALL BE INCLUDED IN THE COST FOR P.C.C. SIDEWALK.
 2. THICKNESS SHALL BE INCREASED TO 7" WHERE SIDEWALK IS ADJACENT TO A DRIVEWAY
 3. WHEN FORMS ARE REMOVED FROM THE SIDEWALK EITHER THE SIDEWALK SHALL BE BARRICADED OR BACKFILLED WITHIN 24 HOURS.

P.C.C. SIDEWALK DETAIL



**PROPOSED DEPRESSED CURB & GUTTER
 EXISTING CURB & GUTTER NOT DEPRESSED**
 NOT TO SCALE



COMBINATION CONCRETE CURB AND GUTTER, TYPE B-6.12
 NOT TO SCALE

FILE NAME =	USER NAME = PRAZALAN	DESIGNED - AMP	REVISED -	STATE OF ILLINOIS DEPARTMENT OF TRANSPORTATION	CONSTRUCTION DETAILS				F.A. RTE.	SECTION	COUNTY	TOTAL SHEETS	SHEET NO.	
N:\NORTH LAKE\940032HR204\Civil\det1_940032hr204.sht		DRAWN - EDT	REVISED -		SCALE:	SHEET NO.	OF	SHEETS	STA.	TO STA.	09-00071-00-BR	COOK	31	29
		CHECKED - MEW	REVISED -		CONTRACT NO. 63437									
		DATE - 09/30/09	REVISED -		ILLINOIS FED. AID PROJECT									