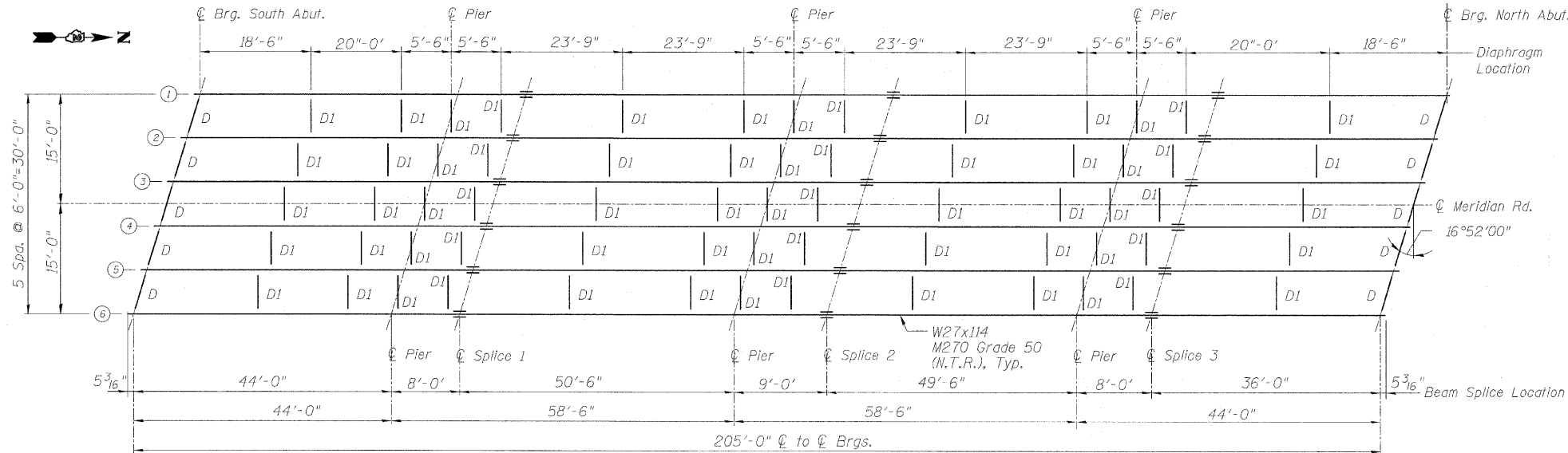


STATE OF ILLINOIS  
DEPARTMENT OF TRANSPORTATION

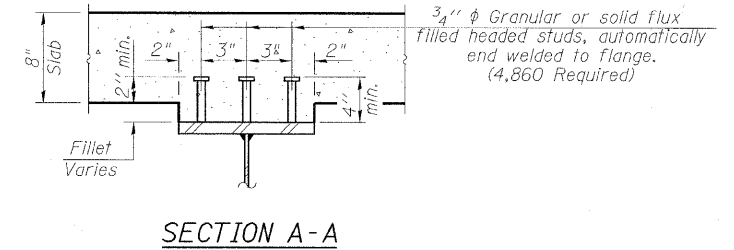
ROUTE NO. F.A.P. 301	SECTION 1-HBR-2	COUNTY WINNEBAGO	TOTAL SHEETS 57	SHEET NO. 29	SHEET NO. 10 27 SHEETS
FED. ROAD DIST. NO. 7		ILLINOIS	FED. AID PROJECT-		

Contract #64D50

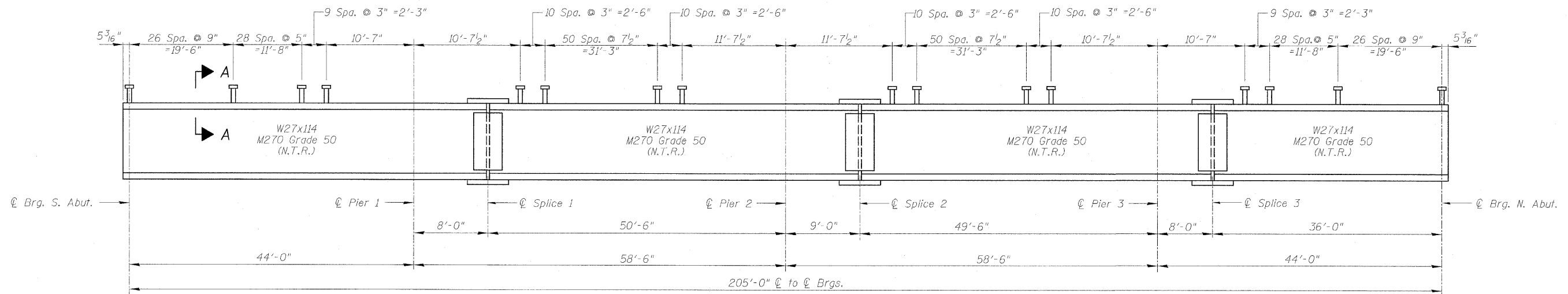


PLAN

See Sheet 11 of 27 for diaphragms D & D1



SECTION A-A



BEAM ELEVATION

NOTE:  
Load carrying components designated "N.T.R." shall conform to the supplemental requirements for Notch Toughness, Zone 2.

TOP BEAM ELEVATIONS (FOR FABRICATION ONLY)						
Location	Beam Numbers					
	1	2	3	4	5	6
© BRG. S. ABUT.	786.612	786.712	786.802	786.792	786.692	786.572
© PIER 1	786.833	786.933	787.021	787.011	786.911	786.791
© SPLICE 1	786.873	786.973	787.060	787.050	786.950	786.830
© PIER 2	787.127	787.227	787.312	787.302	787.202	787.082
© SPLICE 2	787.172	787.272	787.356	787.346	787.246	787.126
© PIER 3	787.421	787.521	787.603	787.593	787.493	787.373
© SPLICE 3	787.461	787.561	787.648	787.633	787.533	787.413
© BRG. N. ABUT.	787.642	787.742	787.822	787.812	787.712	787.592

NOTE:  
Furnishing Structural Steel is not included in this contract.

DESIGNED	GUN / OAO
CHECKED	FCO
DRAWN	TCS / GUN
CHECKED	FCO

STEEL FRAMING PLAN  
MERIDIAN ROAD OVER US 20  
F.A.P. 301 (US 20) - SEC. 1-HBR-2  
WINNEBAGO COUNTY  
STATION 100+00  
STRUCTURE NO. 101-0096

2/22/2008 11/13/2009 H:\Projects\2945\DWG\Structural\Meridian Road\Construction - Issue\1010096-64D50-010-STEELFRAME.dgn