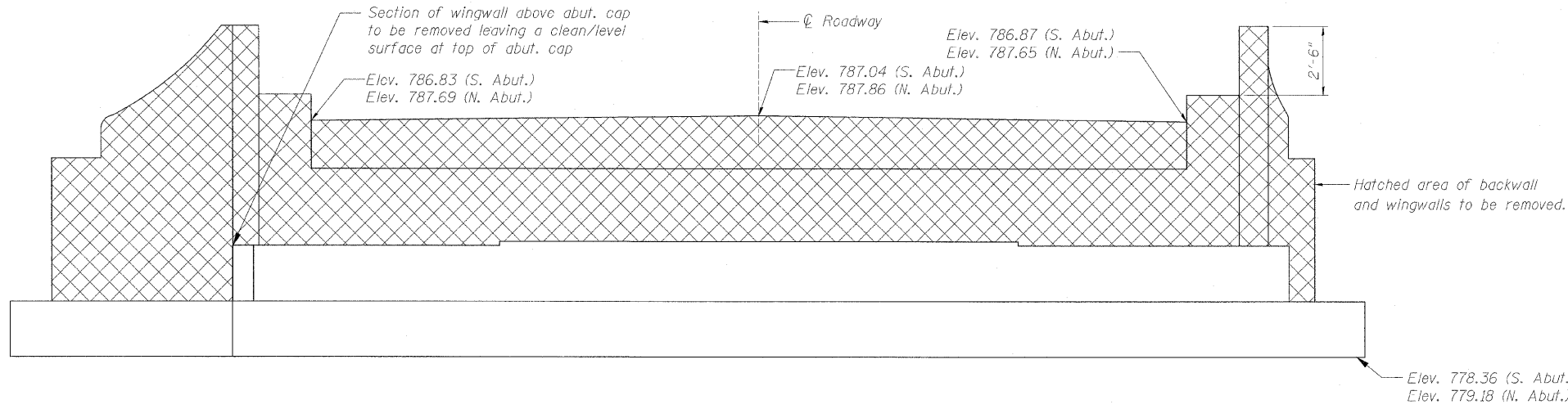


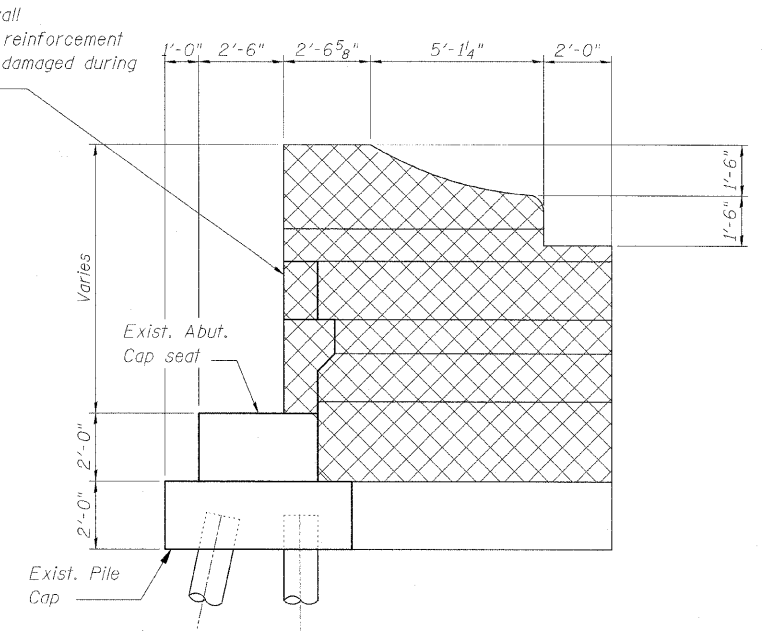
STATE OF ILLINOIS
DEPARTMENT OF TRANSPORTATION

ROUTE NO.	SECTION	COUNTY	TOTAL SHEETS	SHEET NO.
F.A.P. 301	1-HBR-2	WINNEBAGO	57	33
SHEET NO. 14 27 SHEETS				
FED. ROAD DIST. NO. 7	ILLINOIS	FED. AID PROJECT		

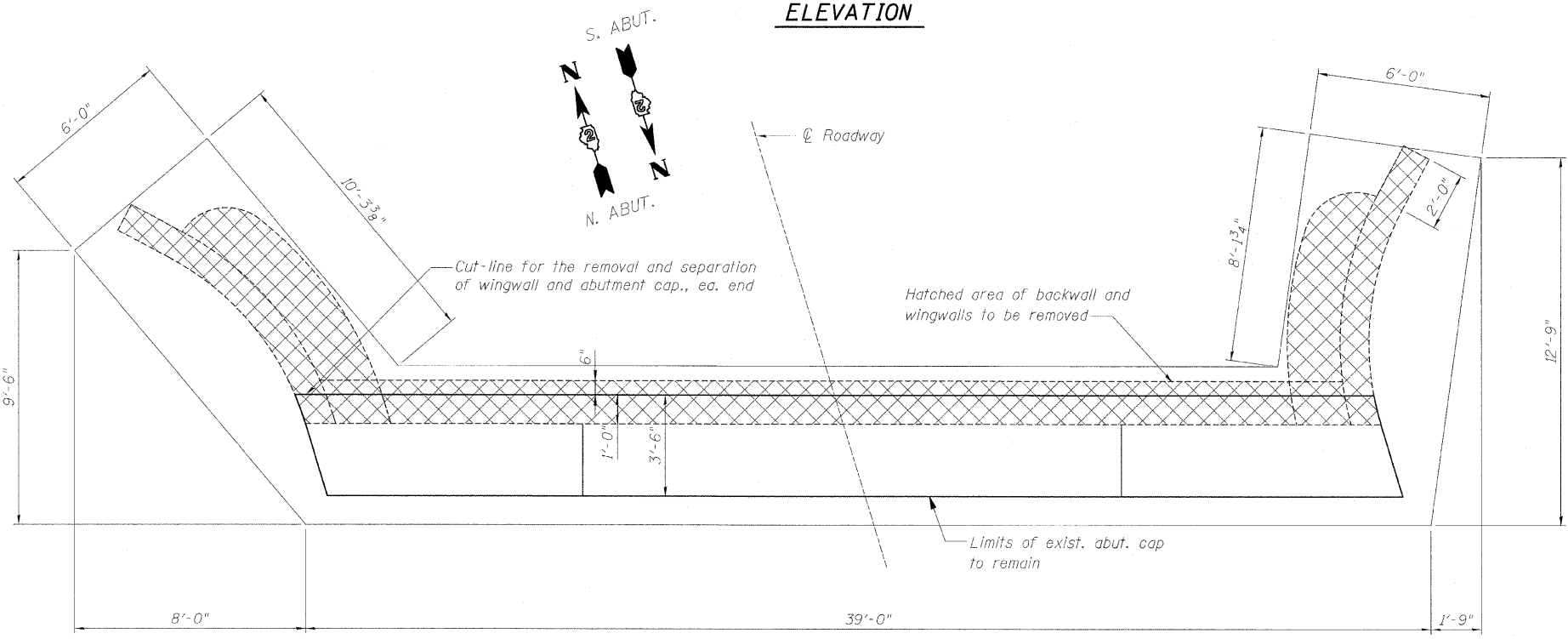
Contract #64D50



ELEVATION



SEC. THRU EXIST. ABUT. (TYP.)



PLAN

DESIGNED	GUN / OAO
CHECKED	FCO
DRAWN	TCS / GUN
CHECKED	FCO

**EXISTING ABUTMENT AND WINGWALL
CONCRETE REMOVAL**
MERIDIAN ROAD OVER US 20
F.A.P. 301 (US 20) - SEC. 1-HBR-2
WINNEBAGO COUNTY
STATION 100+00
STRUCTURE NO. 101-0096

HOH HARRY O. HEYER-ASSOCIATES, INC.
DESIGN AND CONSULTING ENGINEERS
55 East Jackson Blvd.
Suite 800
Chicago, Illinois 60604
312-246-3131
PROJECT NUMBER
2945

2/23/52 PM
 11/13/2008
 H:\Projects\2945\DNS\Structural\Meridian_Road\Construction_Issue\1010096-64D50-014-Exist-ABUT_conc_removal.dgn