

2:32:40 PM

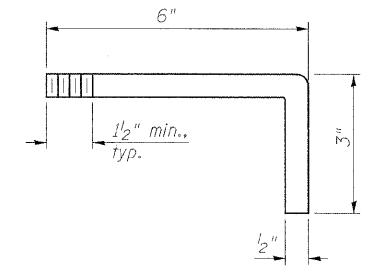
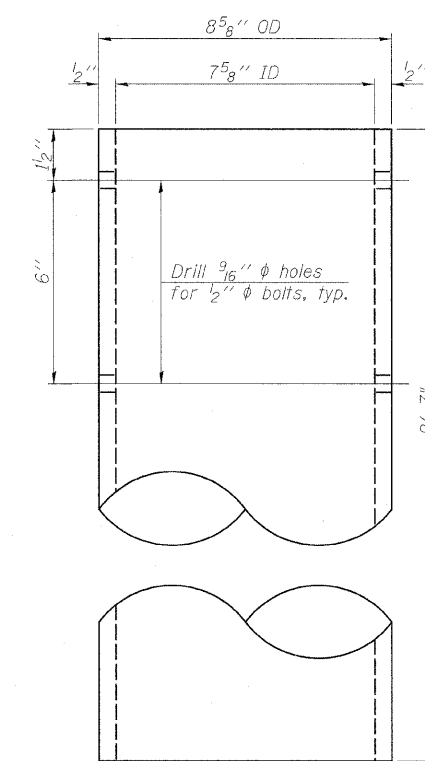
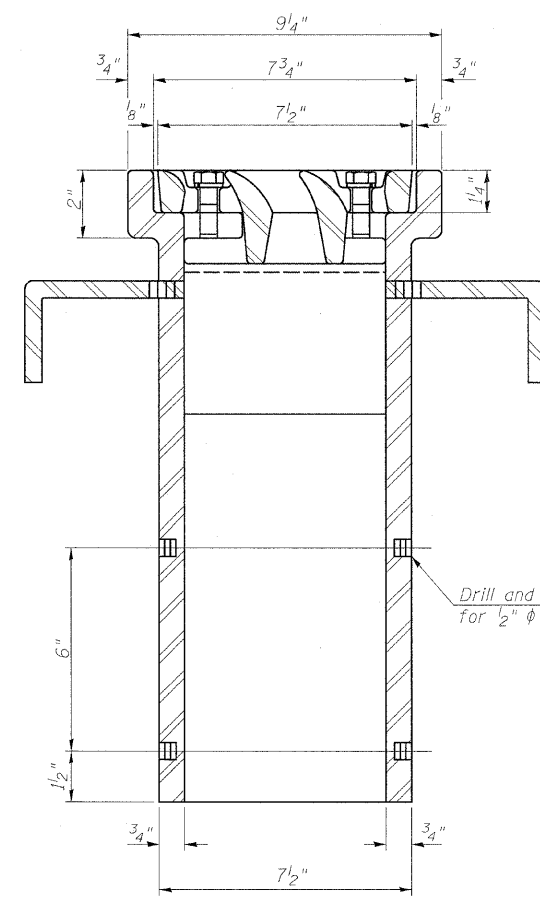
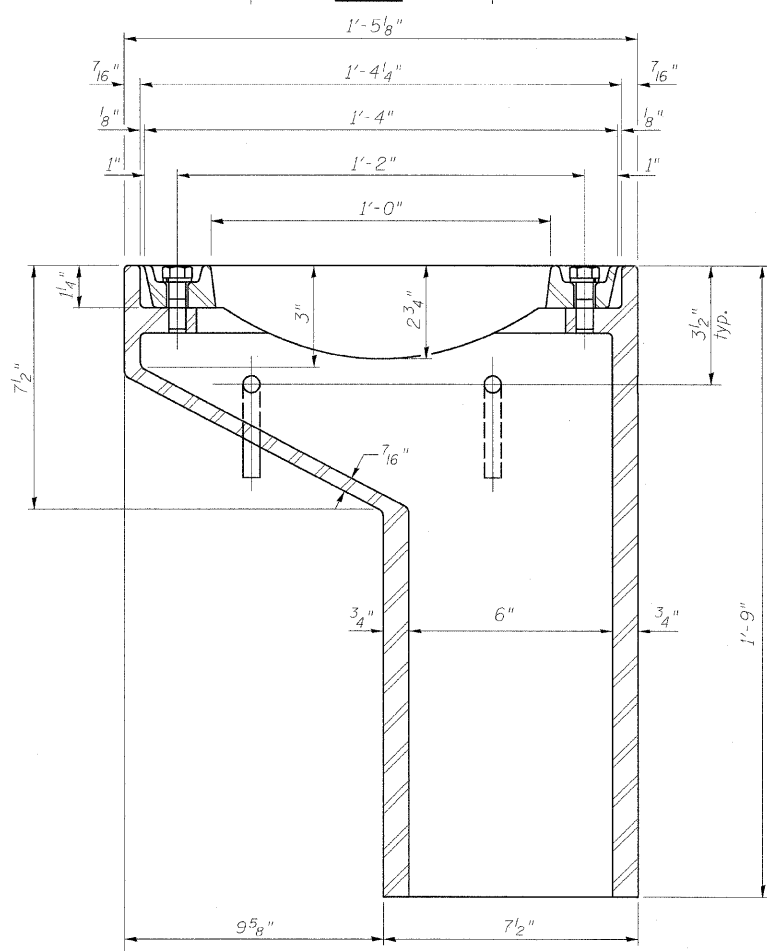
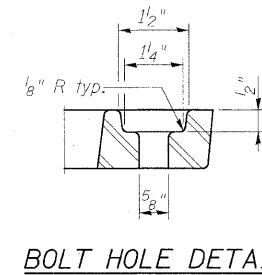
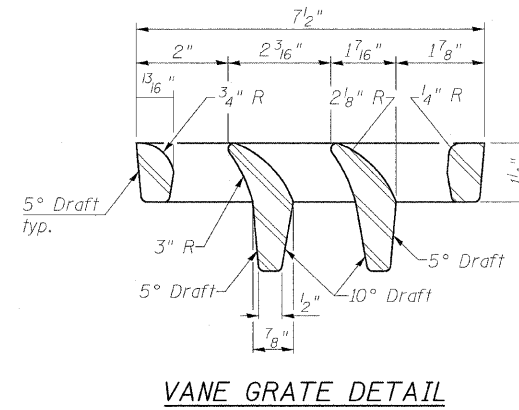
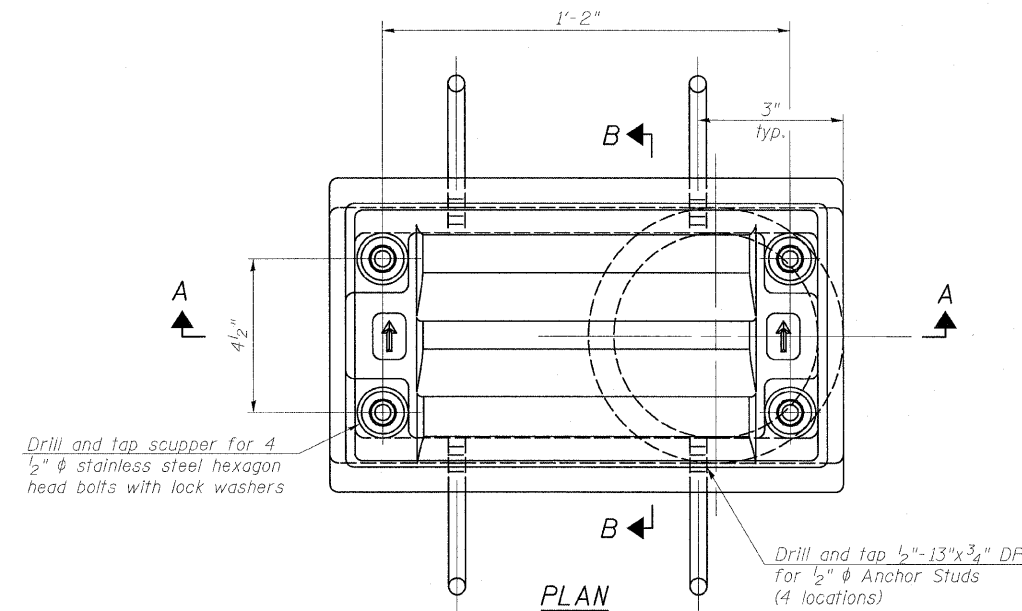
11/13/2009

H:\Projects\2945\Drawings\Structural\Meridian Road\Construction Issue\100096-64D50-020-DRAINAGE SCUPPER.dwg

STATE OF ILLINOIS
DEPARTMENT OF TRANSPORTATION

ROUTE NO.	SECTION	COUNTY	TOTAL SHEETS	SHEET NO.	SHEET NO. 20
F.A.P. 301	1-HBR-2	WINNEBAGO	57	39	27 SHEETS
FED. ROAD DIST. NO. 7	ILLINOIS	FED. AID PROJECT			

Contract #64D50



BILL OF MATERIAL

ITEM	UNIT	QUANTITY
Drainage Scupper, DS-11	Each	2

See sheet 9 of 27 for scupper location relative to parapet.

DESIGNED	GUN / OAO
CHECKED	FCO
DRAWN	TCS / GUN
CHECKED	FCO

DRAINAGE SCUPPER, DS-11
MERIDIAN ROAD OVER US 20
F.A.P. 301 (US 20) - SEC. 1-HBR-2
WINNEBAGO COUNTY
STATION 100+00
STRUCTURE NO. 101-0096

HOH BARRY O. HEFFER ASSOCIATES, INC.
DESIGN AND CONSULTING ENGINEERS
65 East Jackson Blvd. Suite 800
Chicago, IL 60601
312-346-9181
PROJECT NUMBER 2945