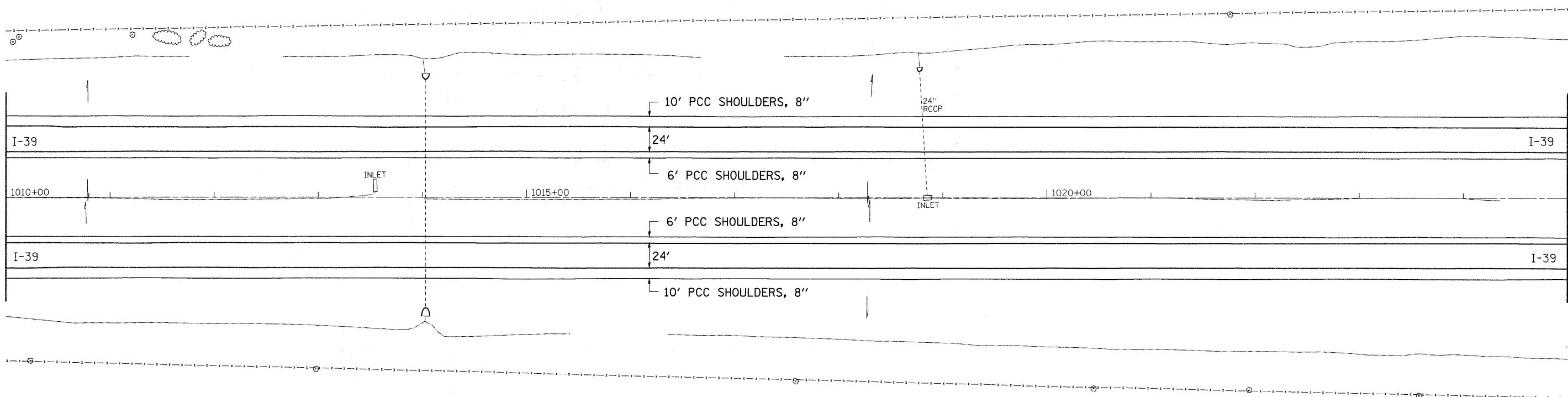




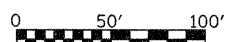
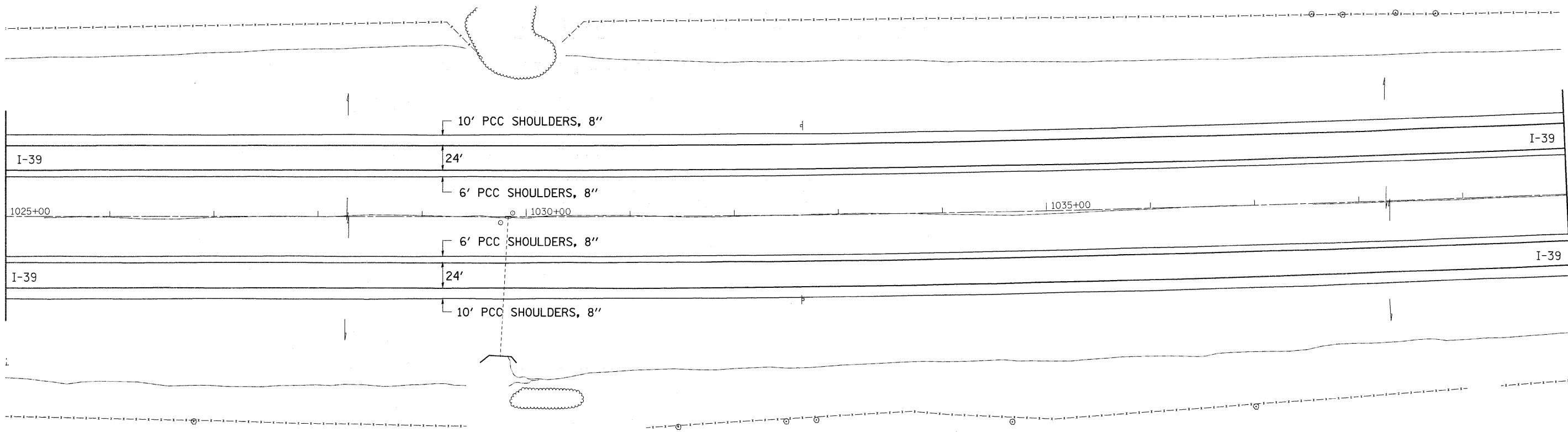
MATCHLINE STA 1010+00

MATCHLINE STA 1025+00



MATCHLINE STA 1025+00

MATCHLINE STA 1040+00



FILE NAME =	USER NAME = dssdd	DESIGNED -	REVISED -
ct:\pwork\PW1DOT\DOSSDD\0162099\020210-shd-pln.dgn		DRAWN -	REVISED -
PLOT SCALE = 50.0000' / IN.		CHECKED -	REVISED -
PLOT DATE = Mon Oct 19 13:28:41 2009		DATE -	REVISED -

**STATE OF ILLINOIS  
DEPARTMENT OF TRANSPORTATION**

**I-39  
PLAN SHEET**

F.A.I. RTE.	SECTION	COUNTY	TOTAL SHEETS	SHEET NO.
39	(103-1, 103-2)SHLD	LEE	60	42
CONTRACT NO. 64F82				
ILLINOIS FED. AID PROJECT				

SCALE: SHEET NO. OF SHEETS STA. TO STA.