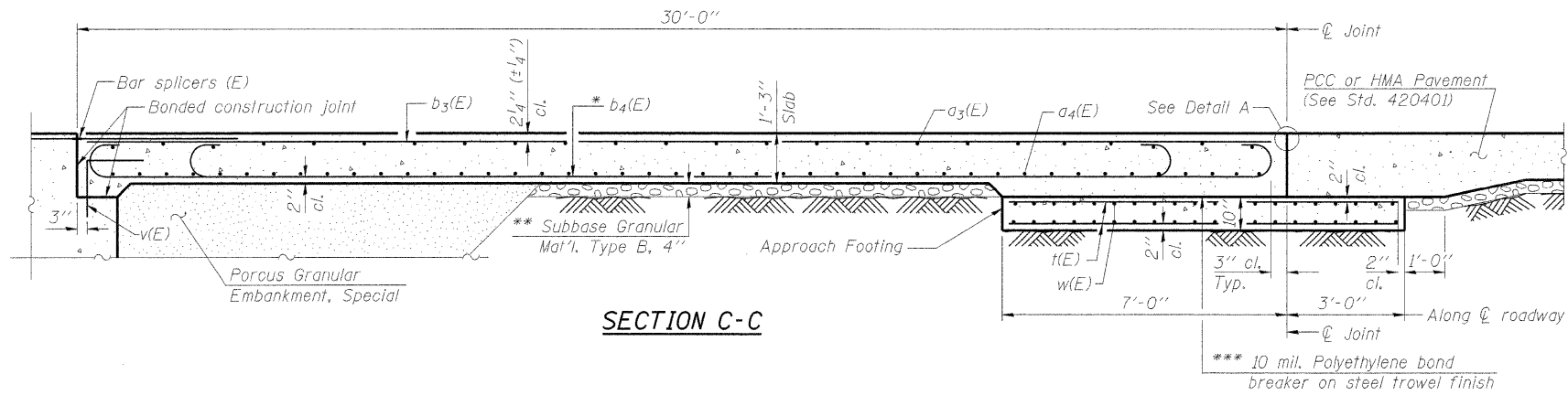
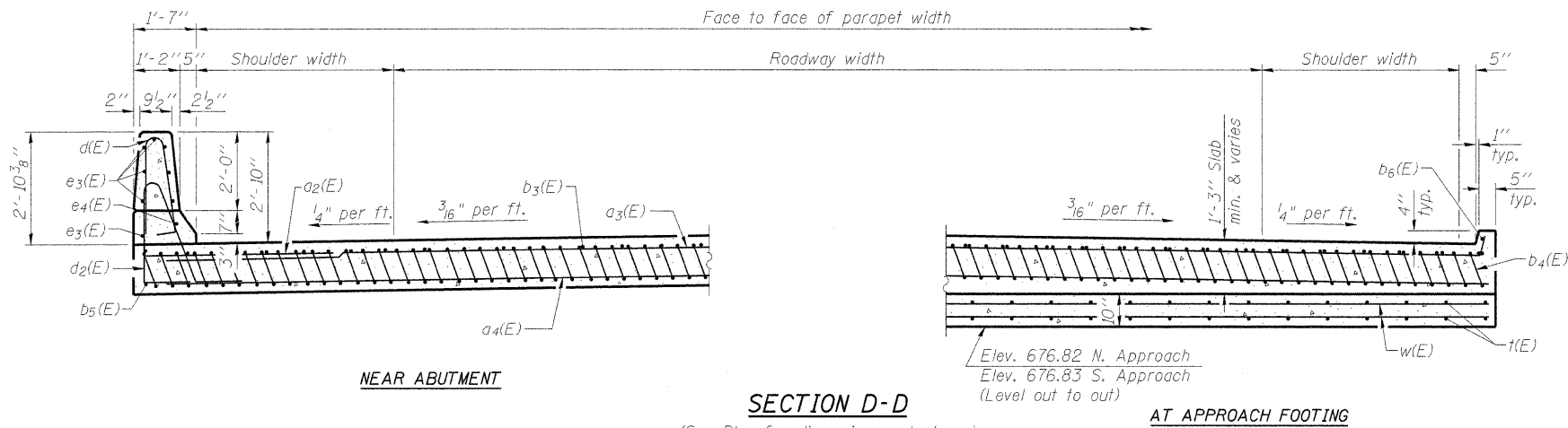


STATE OF ILLINOIS  
DEPARTMENT OF TRANSPORTATION



SECTION C-C



NEAR ABUTMENT

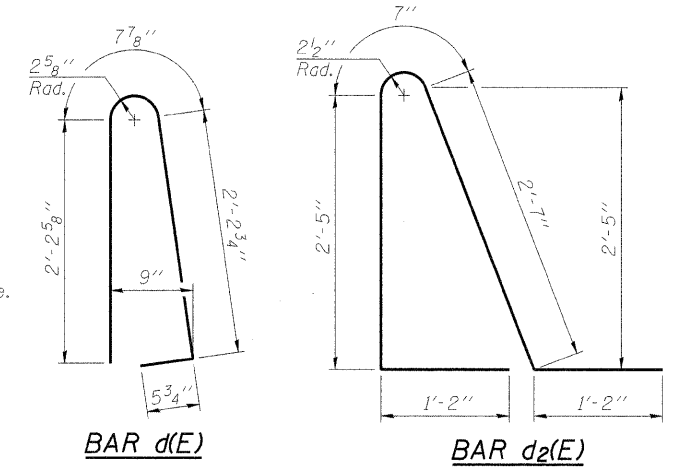
SECTION D-D

(See Plan for dimensions not shown)

AT APPROACH FOOTING

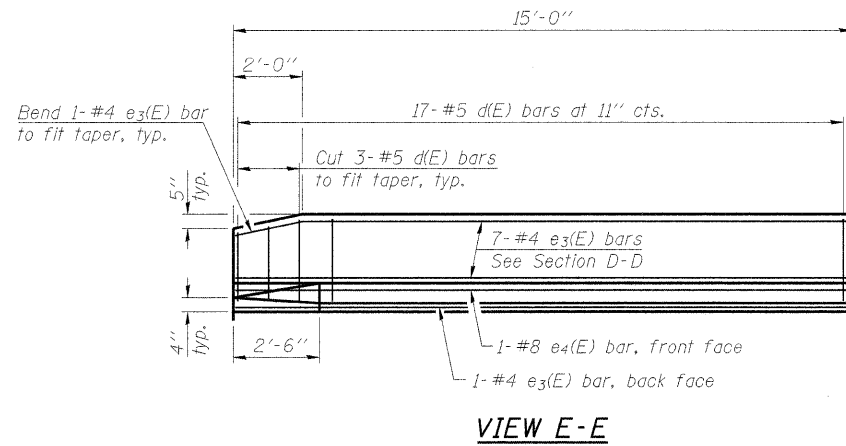
Elev. 676.82 N. Approach  
Elev. 676.83 S. Approach  
(Level out to out)

\* Tilt #9 b4(E) bars as required to maintain clearance.  
\*\*\* Cost included with Concrete Superstructure.

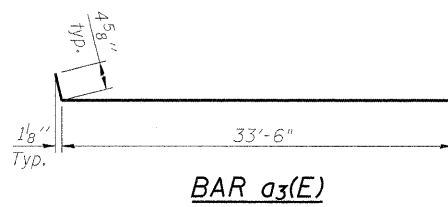


TWO APPROACHES  
BILL OF MATERIAL

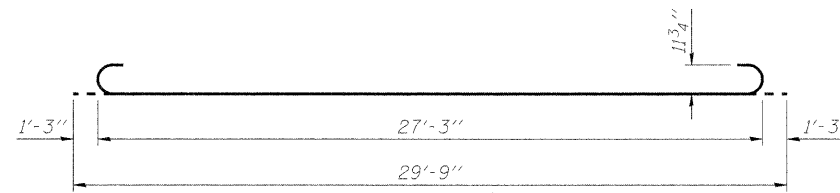
Bar	No.	Size	Length	Shape
a2(E)	48	#6	6'-0"	—
a3(E)	50	#4	34'-3"	—
a4(E)	92	#5	33'-6"	—
b3(E)	52	#4	29'-8"	—
b4(E)	162	#9	29'-9"	—
b5(E)	4	#4	14'-8"	—
b6(E)	4	#4	14'-8"	—
d(E)	68	#5	5'-7"	U
d2(E)	68	#5	7'-11"	U
e3(E)	32	#4	14'-8"	—
e4(E)	4	#8	14'-8"	—
t(E)	140	#4	9'-8"	—
w(E)	80	#5	33'-6"	—
Concrete Superstructure		Cu. Yd.	102.0	
Concrete Structures		Cu. Yd.	20.9	
Reinforcement Bars, Epoxy Coated		Pound	27,100	



VIEW E-E



BAR a3(E)



BAR b4(E)

DESIGNED	MRB
CHECKED	KWS
DRAWN	VH
CHECKED	MRB

**benesch**

alfred benesch & company  
Engineers • Surveyors • Planners  
205 North Michigan Avenue, Suite 2400  
Chicago, Illinois 60601  
312-565-0450  
Job # 3938.02

SHEET NO. S12		F.A.P. RTE.	SECTION	COUNTY	TOTAL SHEETS	SHEET NO.
SHEETS S22		796	104 I & 105 BR-1	FORD	51	26
			CONTRACT NO. 66848			
FED. ROAD DIST. NO.		ILLINOIS	FED. AID PROJECT			

BRIDGE APPROACH SLAB DETAILS 2 OF 2  
STRUCTURE NO. 027-0097