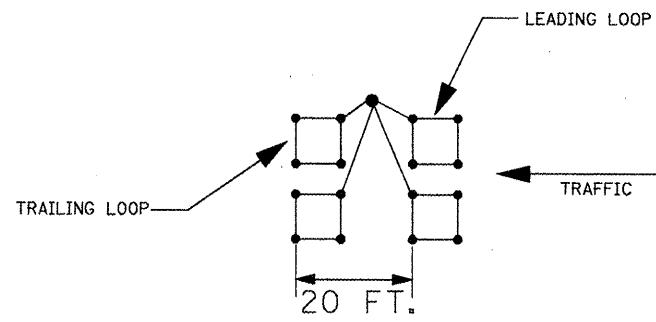
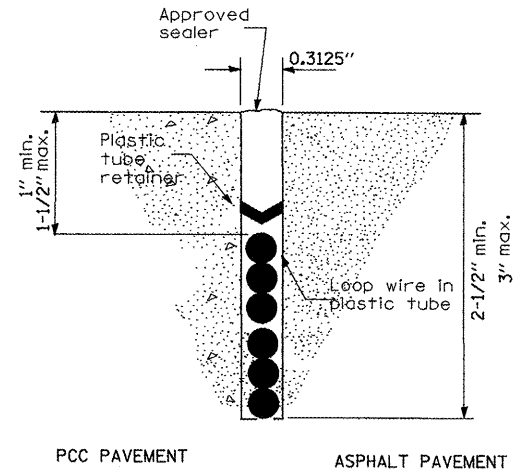


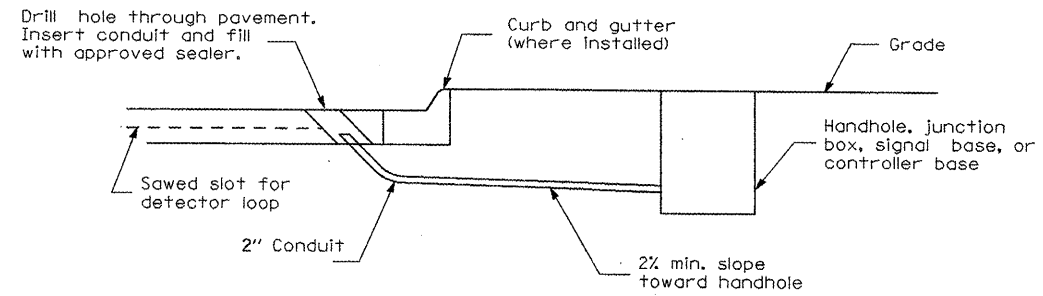
ALL 6' X 6' LOOPS SHALL HAVE SIX TURNS



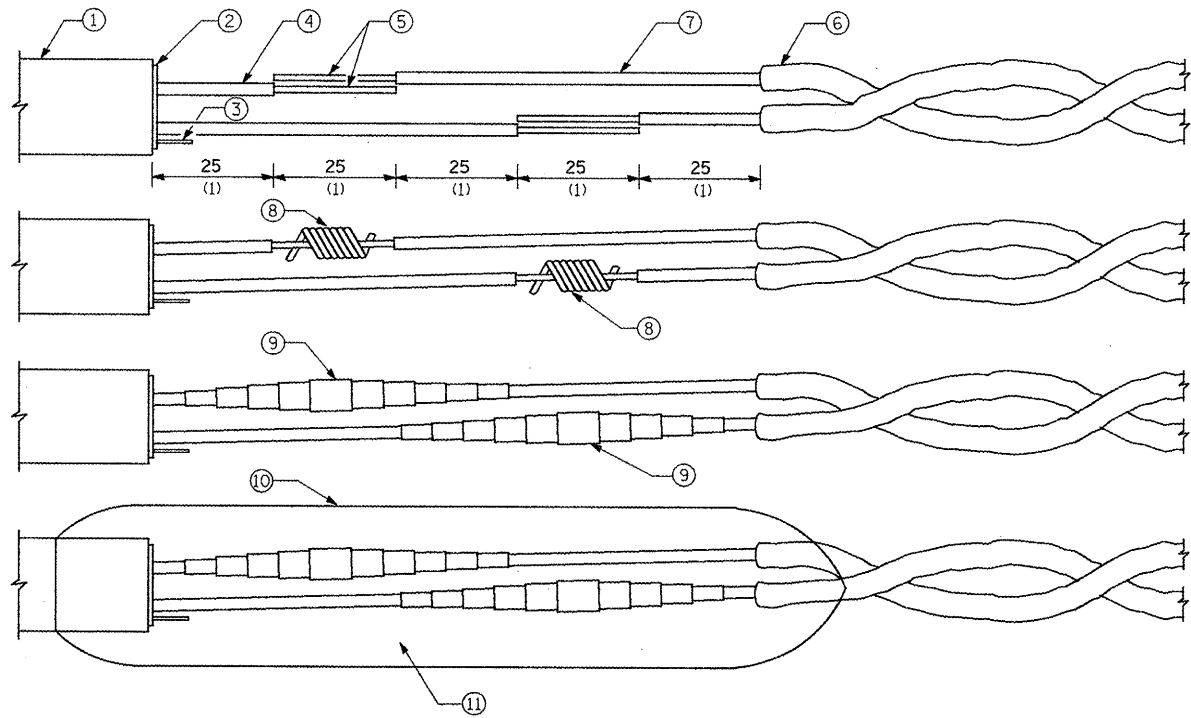
DETECTOR LOOP SPACING (6' X 6' SPEED TRAP)



DETECTOR LOOP INSTALLATION

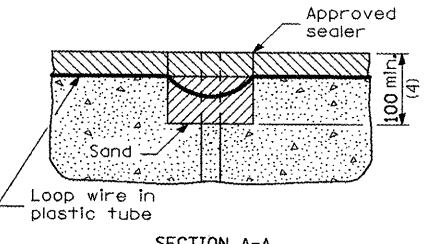
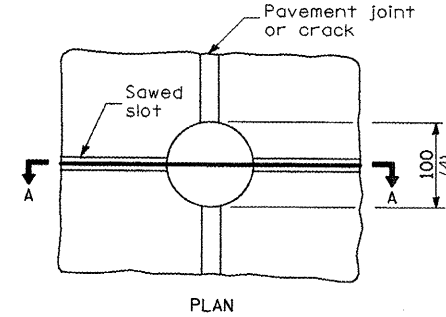


DETECTOR LOOP LEAD-IN



LOOP WIRE AND LEAD-IN CABLE SPLICE

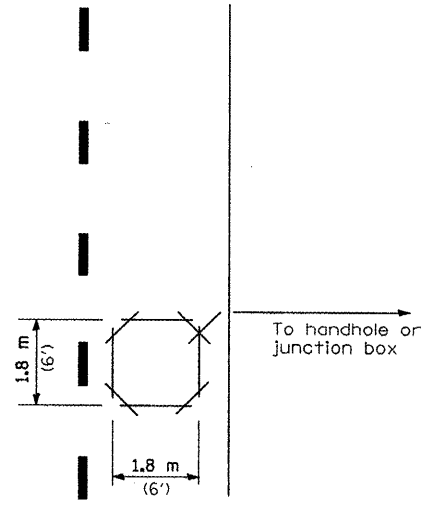
- ① = Lead-in cable (single pair or multipair)
- ② = Lead-in cable shield
- ③ = Lead-in cable shield drain-wire
- ④ = Lead-in cable insulated conductor
- ⑤ = Bare conductor
- ⑥ = Loop wire in tube
- ⑦ = Loop wire insulated conductor
- ⑧ = Twisted and resin soldered conductor
- ⑨ = Electrical tape insulated splice
- ⑩ = Rigid mold
- ⑪ = Waterproof and dielectric resin



NOTE
Loop wire shall follow saw cut to bottom, forming slack section at joint.

DETECTOR LOOP AT PAVEMENT JOINT OR PAVEMENT CRACK

All dimensions are in millimeters (inches) unless otherwise shown.



FOR POINT DETECTION SHORT LOOP