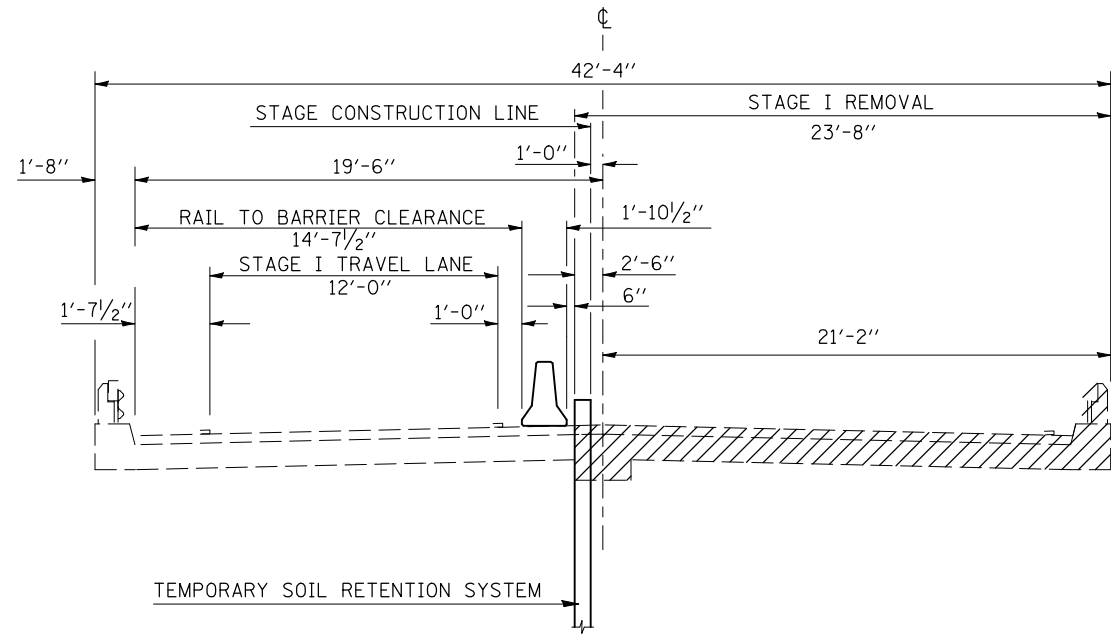
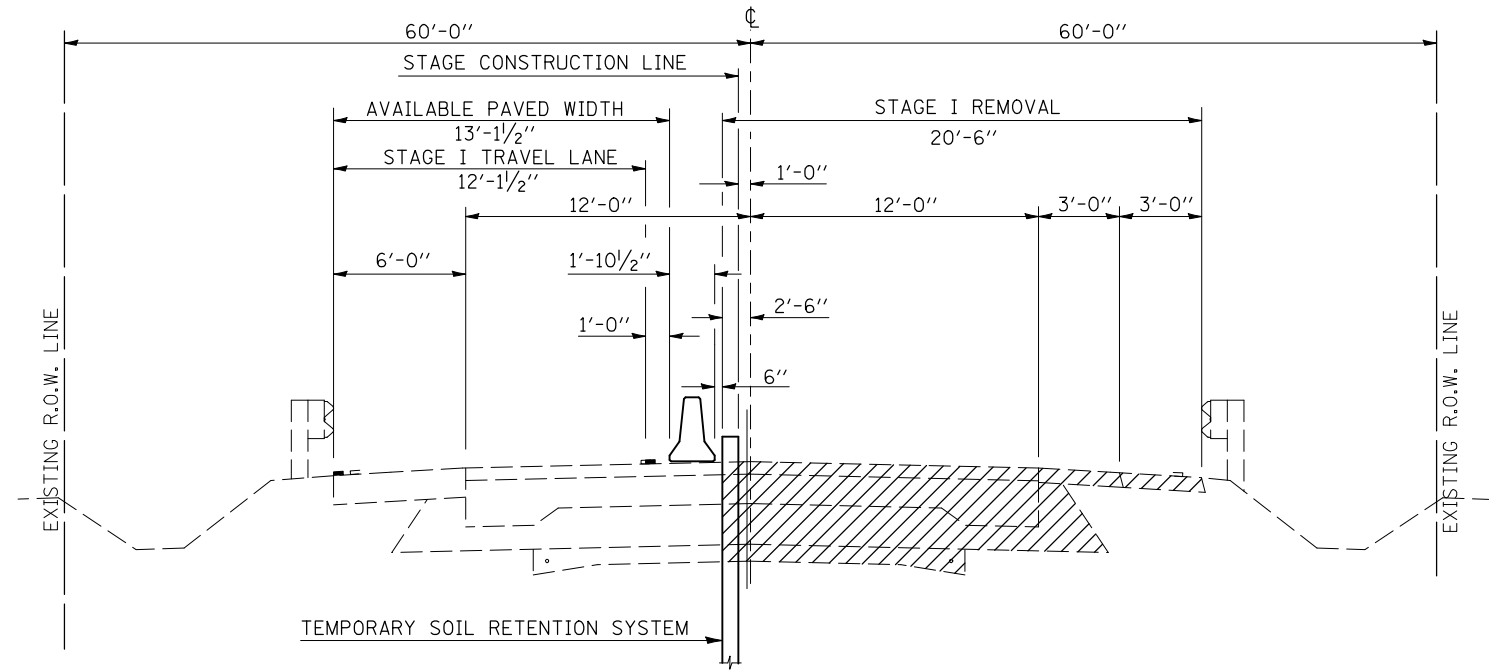


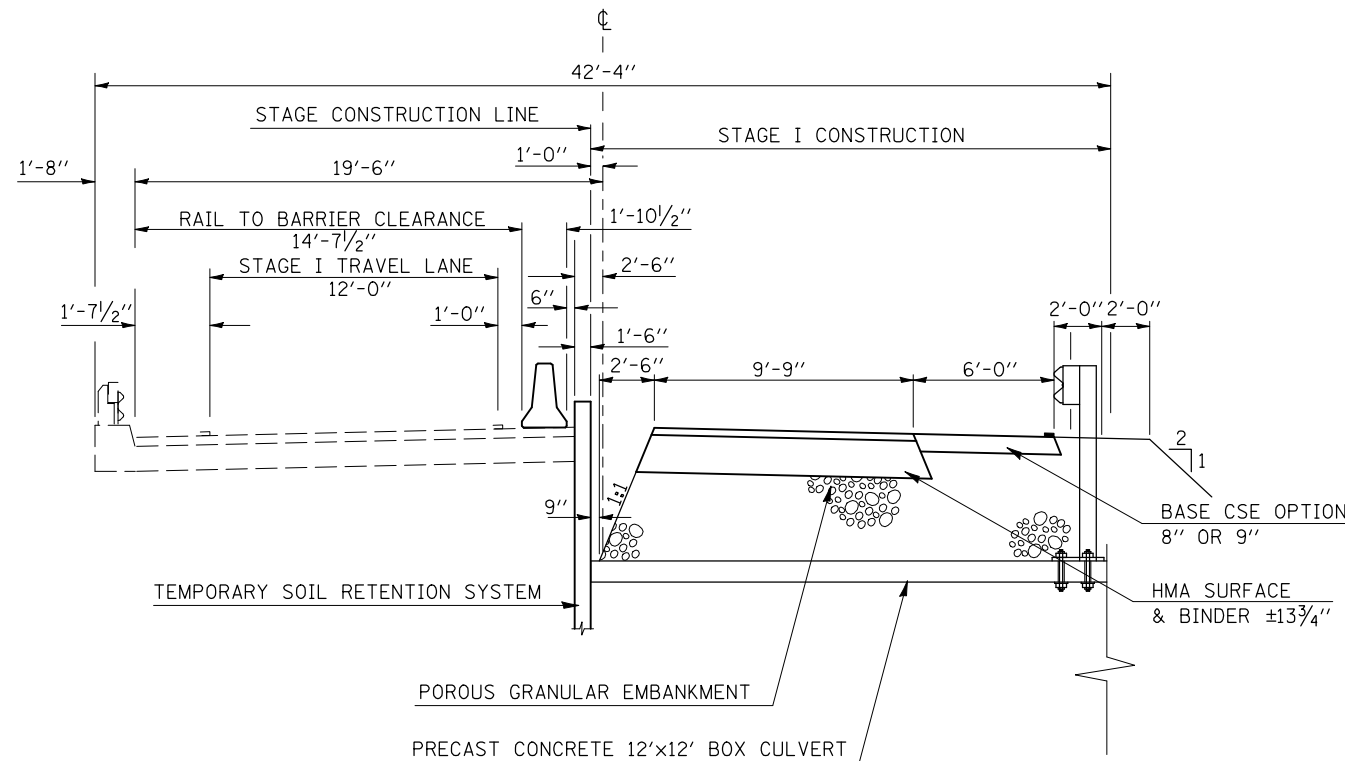
**STAGE I REMOVAL DETAIL
S.N. 021-0016 BRIDGE**



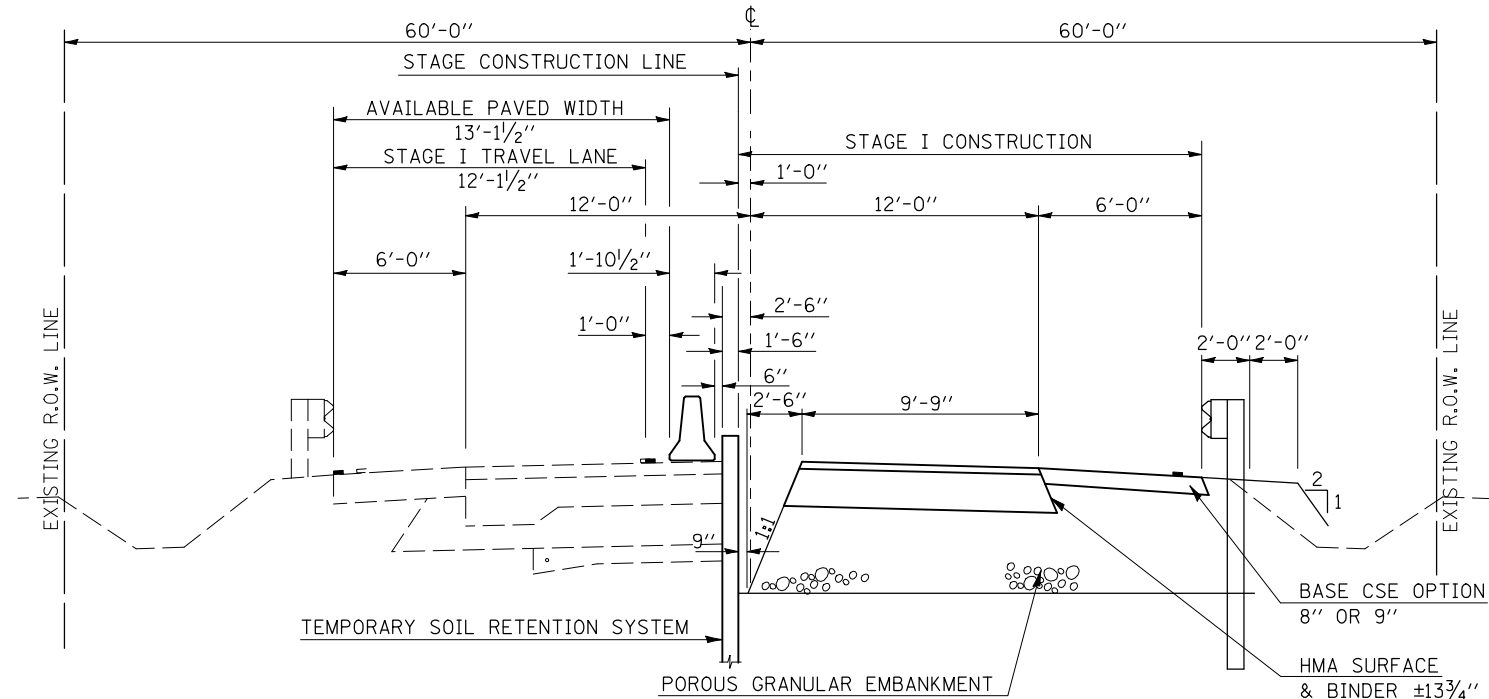
**STAGE I REMOVAL DETAIL
ROADWAY**



**STAGE I CONSTRUCTION DETAIL
S.N. 021-2027 BOX CULVERT**



**STAGE I CONSTRUCTION DETAIL
ROADWAY**



FILE NAME =	USER NAME = ceorlockjd	DESIGNED - AK	REVISED -
ce:\pw\work\PWIDOT\CEARLOCKJD\0110229\10570223-sht-typico1.dgn		DRAWN - JP	REVISED -
PLOT SCALE = 40.0000 ' / IN.		CHECKED -	REVISED -
PLOT DATE = 12/17/2009		DATE - 12-19-08	REVISED -

**STATE OF ILLINOIS
DEPARTMENT OF TRANSPORTATION**

STAGE I REMOVAL & CONSTRUCTION DETAILS			
SCALE: NA	SHEET NO.	OF SHEETS	STA. TO STA.

F.A.P. RTE.	SECTION	COUNTY	TOTAL SHEETS	SHEET NO.
323	(143BR)BR	DOUGLAS	68	19
CONTRACT NO. 70223				
FED. ROAD DIST. NO. ILLINOIS FED. AID PROJECT				