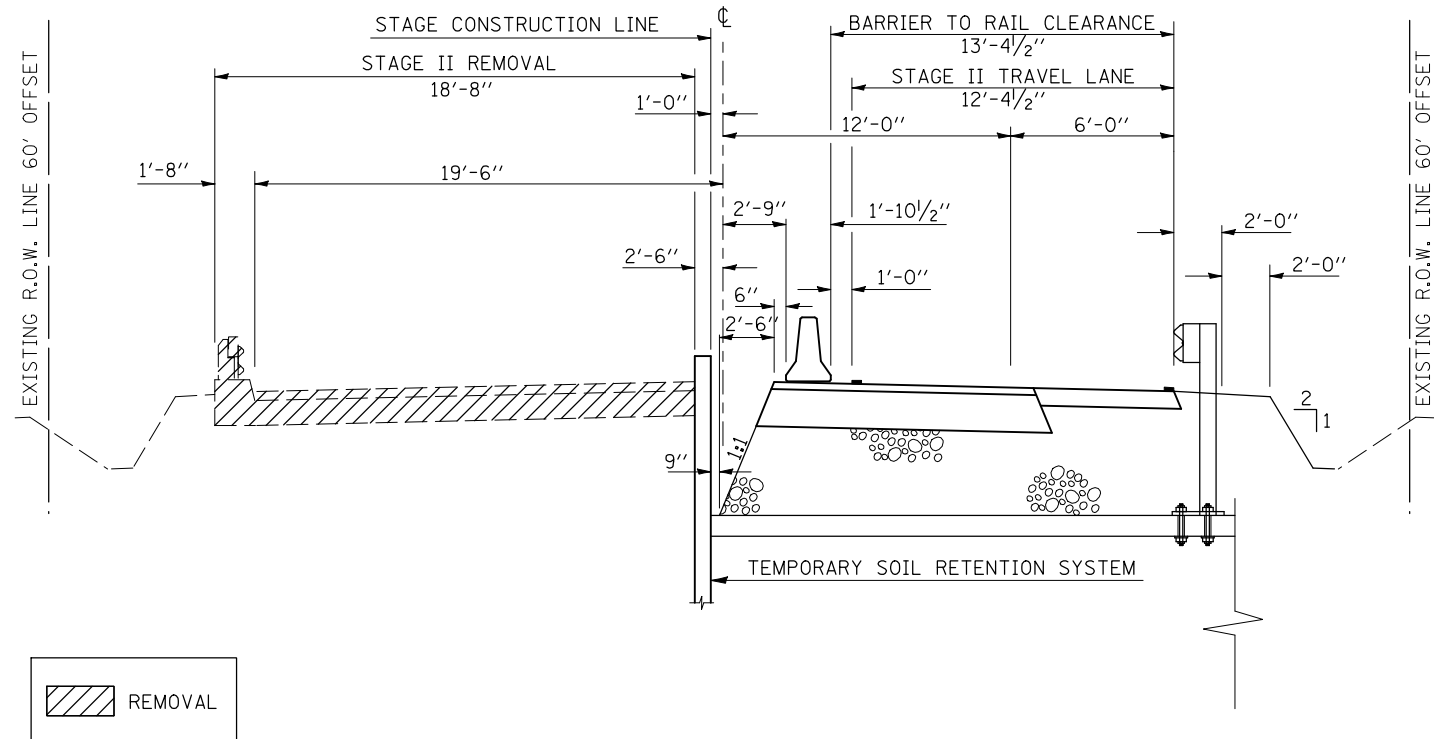
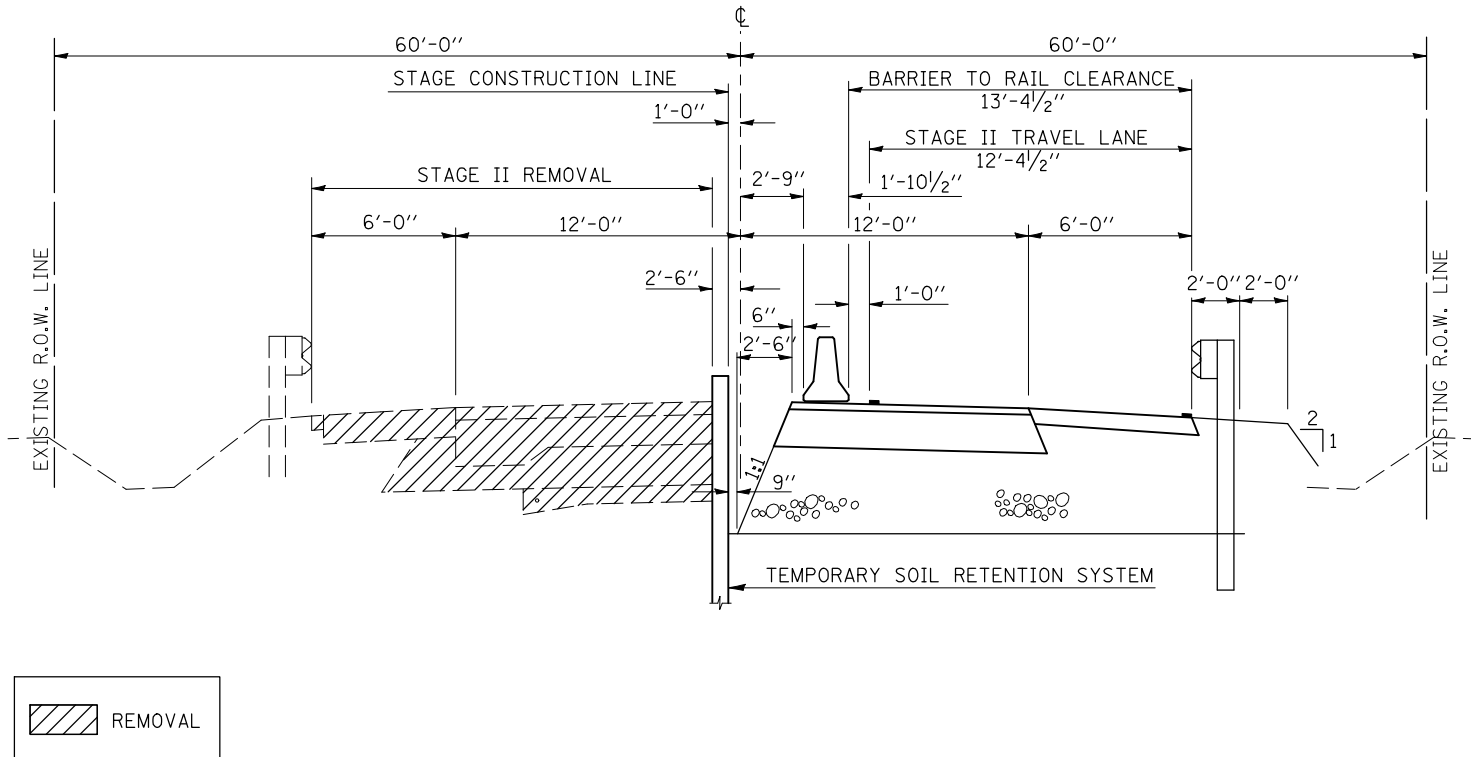


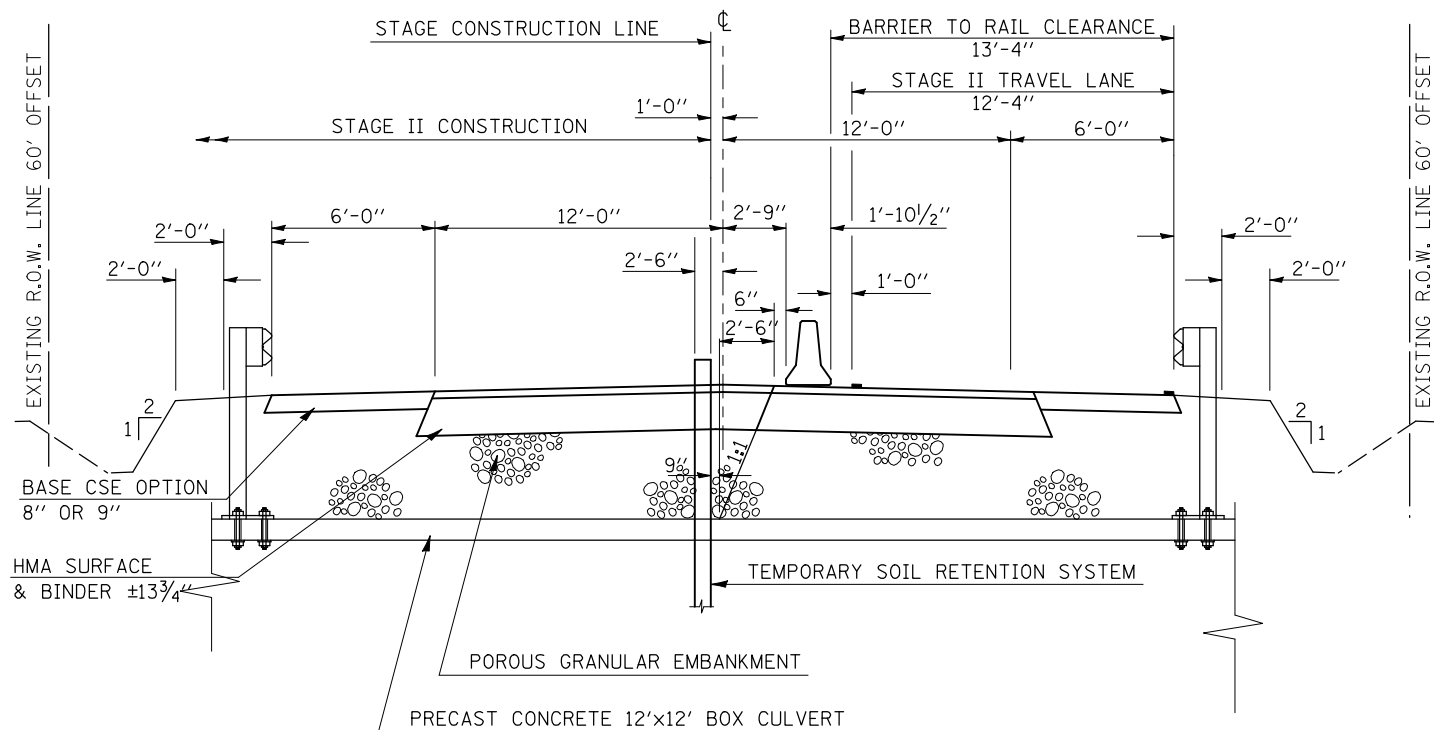
**STAGE II REMOVAL DETAIL
S.N. 021-0016 BRIDGE**



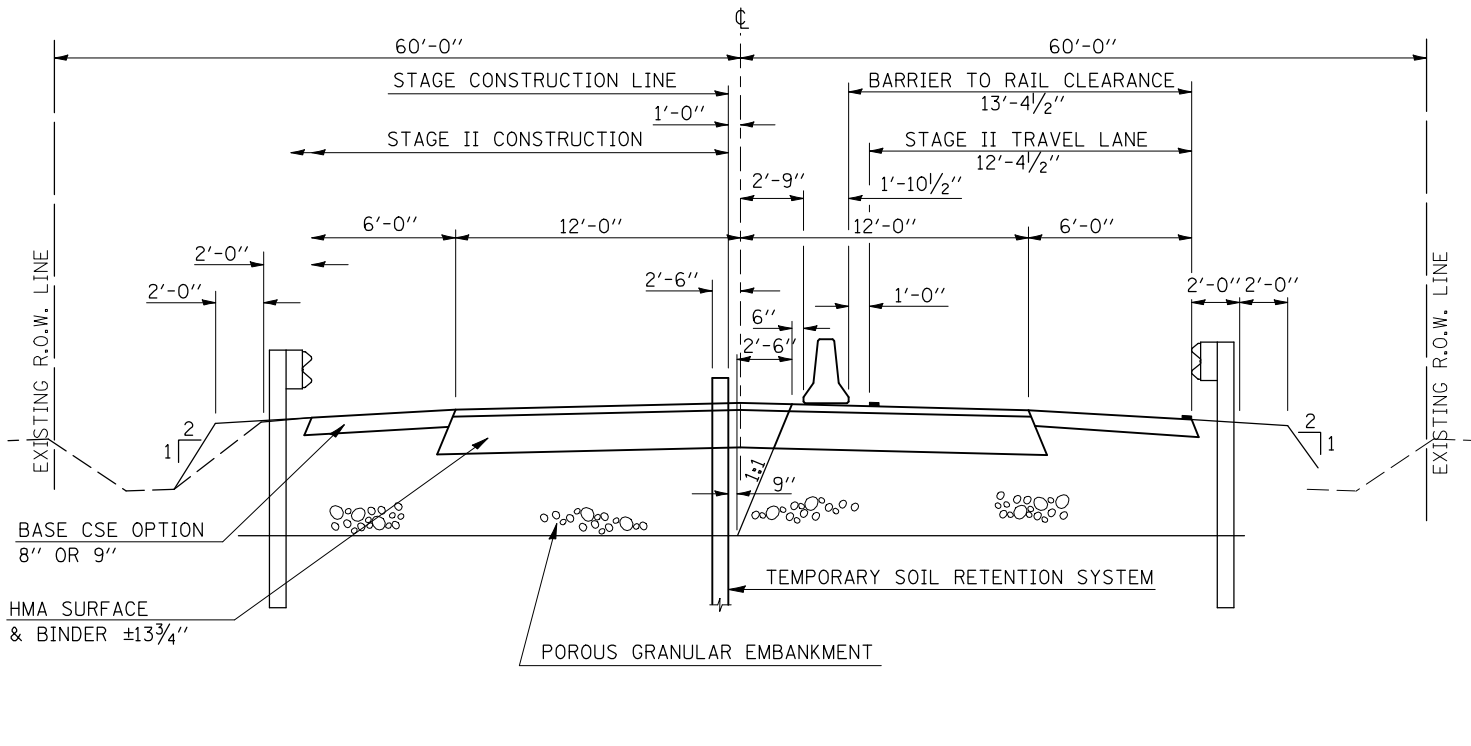
**STAGE II REMOVAL DETAIL
ROADWAY**



**STAGE II CONSTRUCTION DETAIL
S.N. 021-2027 BOX CULVERT**



**STAGE II CONSTRUCTION DETAIL
ROADWAY**



FILE NAME =	USER NAME = ceorlockjd	DESIGNED - AK	REVISED -
ce:\pwwork\pwidot\CEARLOCKJD\0110229\0570223\sh-t\typical.dgn		DRAWN - JP	REVISED -
PLOT SCALE = 40.0000 ' / IN.		CHECKED -	REVISED -
PLOT DATE = 12/17/2009		DATE - 12-19-08	REVISED -

**STATE OF ILLINOIS
DEPARTMENT OF TRANSPORTATION**

STAGE II REMOVAL & CONSTRUCTION DETAILS

SCALE: NA SHEET NO. OF SHEETS STA. TO STA.

F.A.P. RTE.	SECTION	COUNTY	TOTAL SHEETS	SHEET NO.
323	(143BR)BR	DOUGLAS	68	20
CONTRACT NO. 70223				
FED. ROAD DIST. NO. ILLINOIS FED. AID PROJECT				