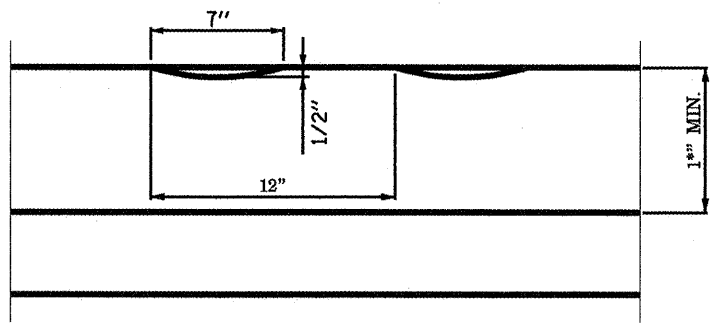
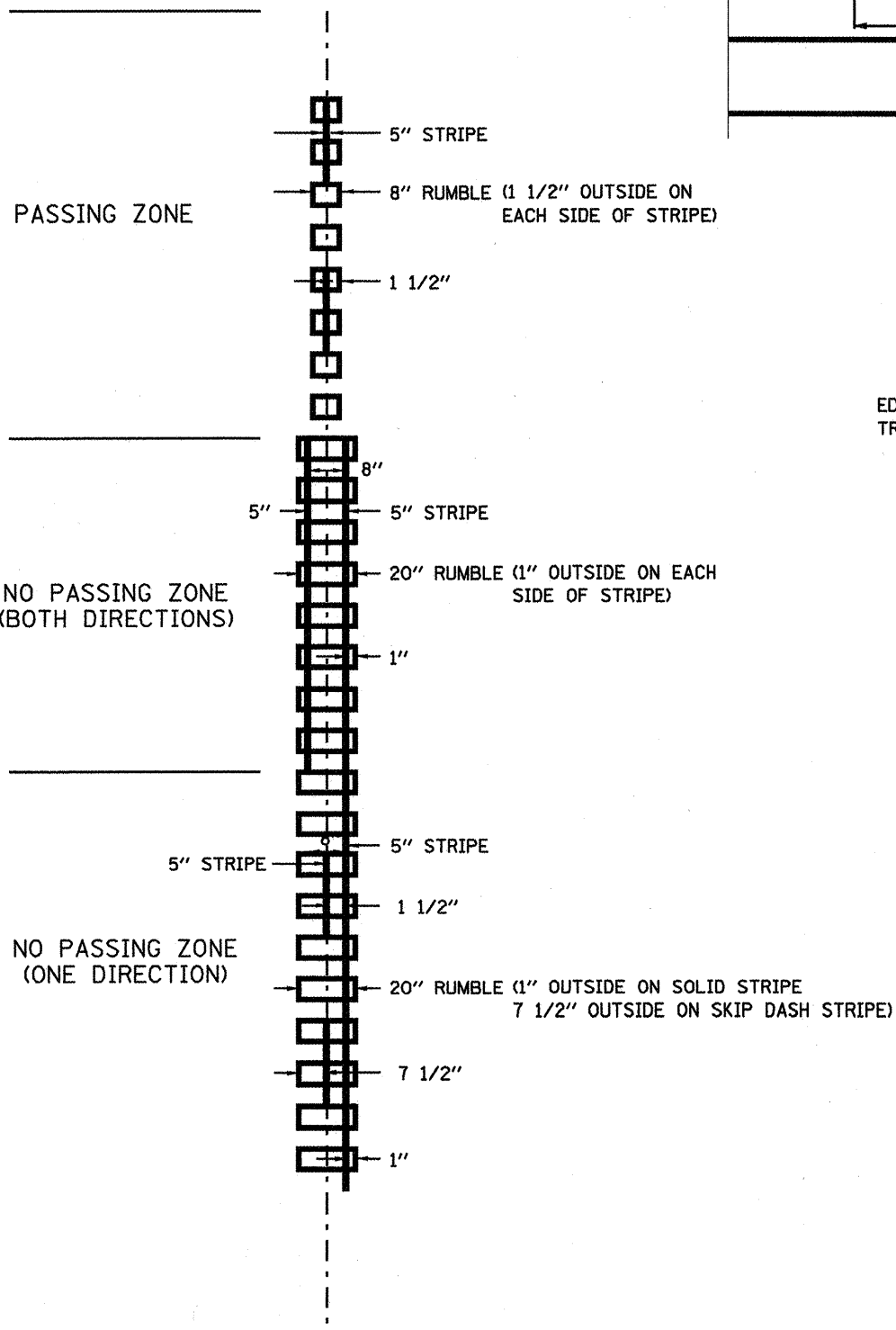
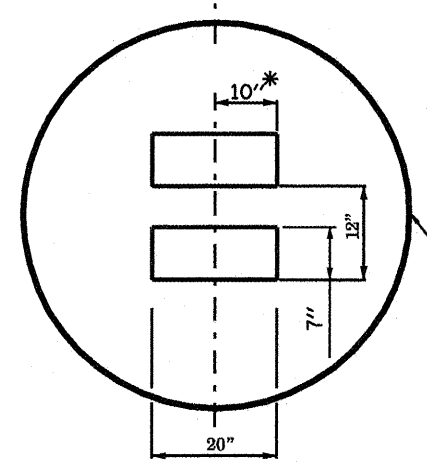


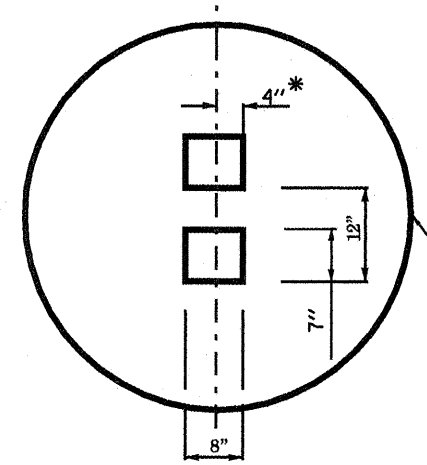
SKIP-DASH
PAVEMENT MARKING



SECTION C-C

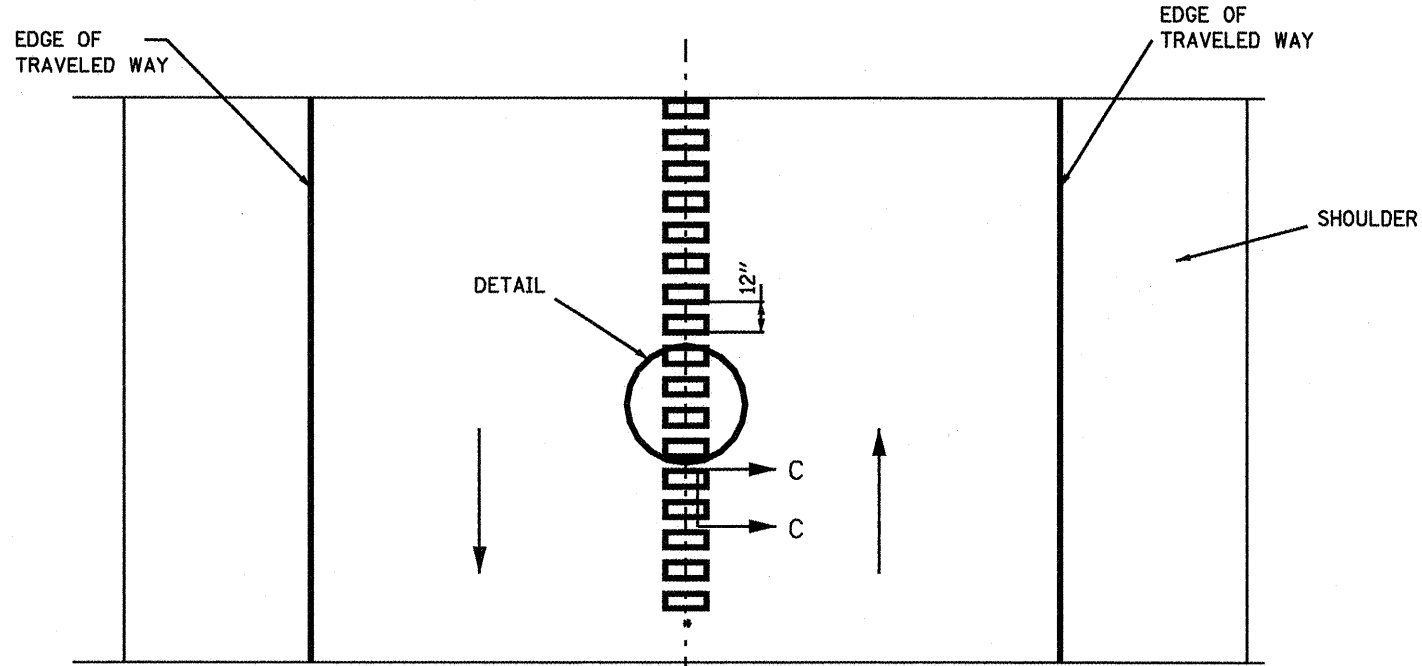


DETAIL
12" WIDE
NP ZONES



DETAIL
8" WIDE
PASS ZONES

* = LATERAL DEVIATION SHALL NOT EXCEED ONE INCH IN 100 FEET.



TWO-WAY ROAD

GENERAL NOTES:

- SKIP OVER EXISTING (4' GAP, 2' ON EACH SIDE) RAISED REFLECTIVE PAVEMENT MARKERS
- RUMBLE STRIPS SHALL NOT BE PLACED ON BRIDGES.
- ALL RUMBLE STRIPS SHALL BE MILLED.
- CENTERLINE RUMBLE STRIPS SHALL NOT BE CONTINUOUS THROUGH CONNECTIONS OF SIDEROADS WITH NO LEFT TURN LANES.
- DISCONTINUE CENTERLINE RUMBLE STRIPS THROUGH THE LIMITS OF ALL LEFT TURN LANES, INCLUDING ANY LANE TAPER SECTIONS.

| | | | |
|------------------------------------------------------------|------------------------|------------|-----------|
| FILE NAME = | USER NAME = laughlinr1 | DESIGNED - | REVISED - |
| 6:\pwork\p\1001\LAUGHLINRL\10157369\72019-ahtr-details.dgn | | DRAWN - | REVISED - |
| PLOT SCALE = 200.0000 / IN. | | CHECKED - | REVISED - |
| PLOT DATE = Aug-28-2009 02:47:55PM | | DATE - | REVISED - |

**STATE OF ILLINOIS
DEPARTMENT OF TRANSPORTATION**

| | | | |
|--------------------------------------------|-----------|-----------|--------------|
| RUMBLE STRIPS CENTERLINE DETAIL | | | |
| SCALE: | SHEET NO. | OF SHEETS | STA. TO STA. |

| | | | | |
|---------------------------|---------|--------|--------------|-----------|
| F.A.P. RTE. | SECTION | COUNTY | TOTAL SHEETS | SHEET NO. |
| 658 | | ** | 16 | 16 |
| CONTRACT NO. 72019 | | | | |
| ILLINOIS FED. AID PROJECT | | | | |