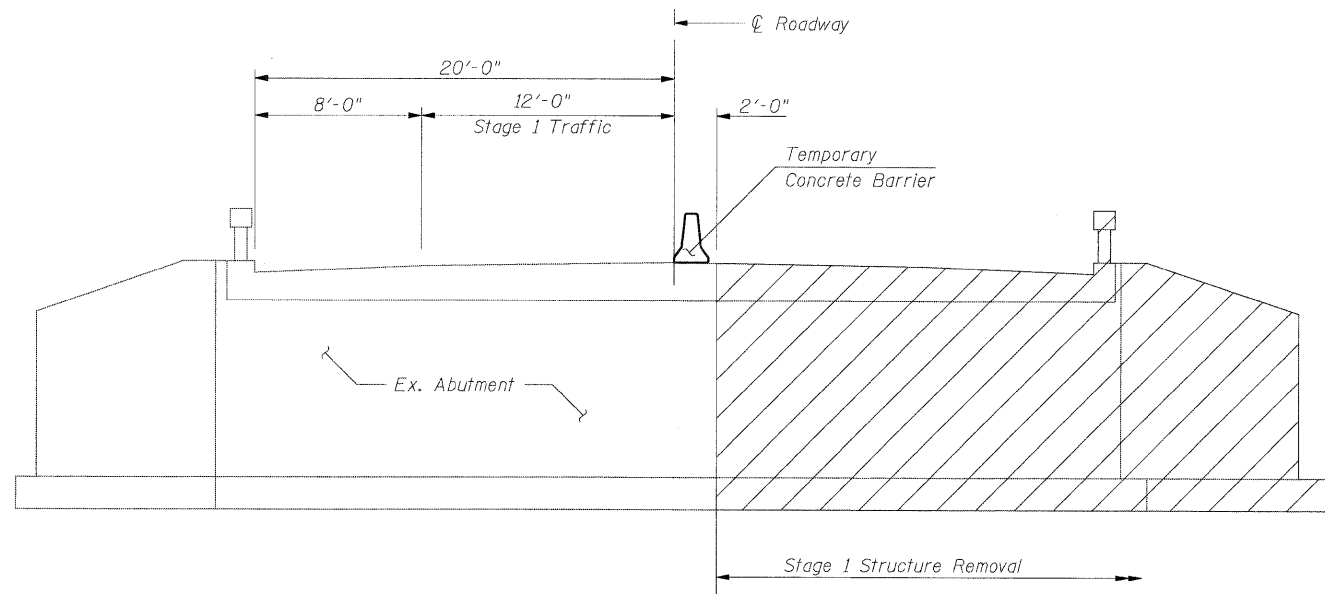
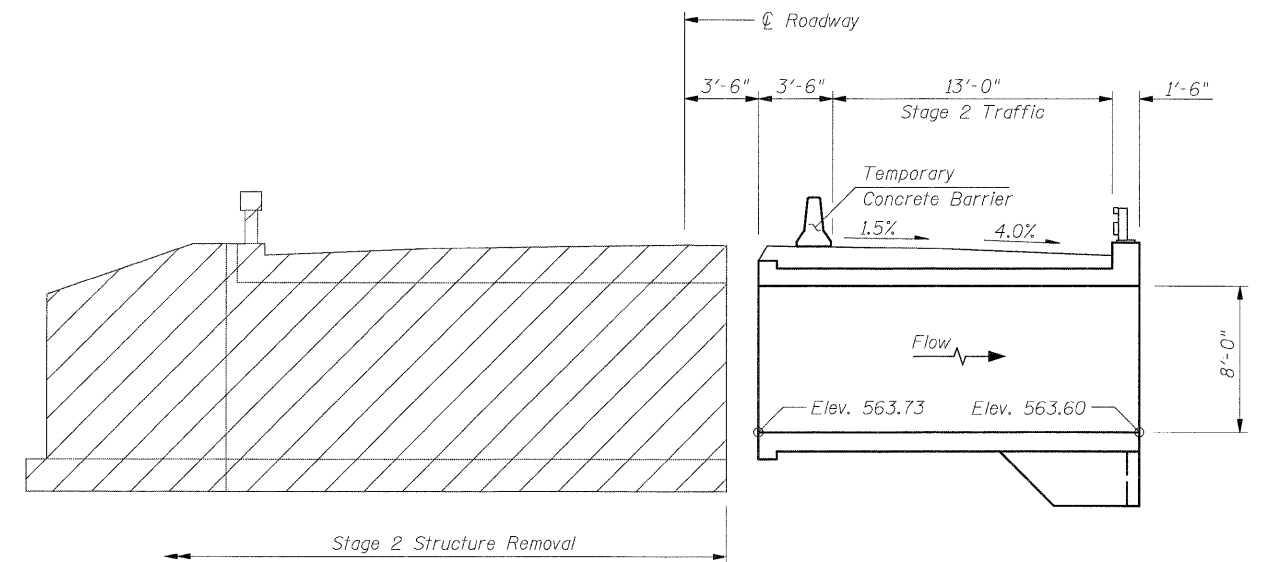


STATE OF ILLINOIS
DEPARTMENT OF TRANSPORTATION



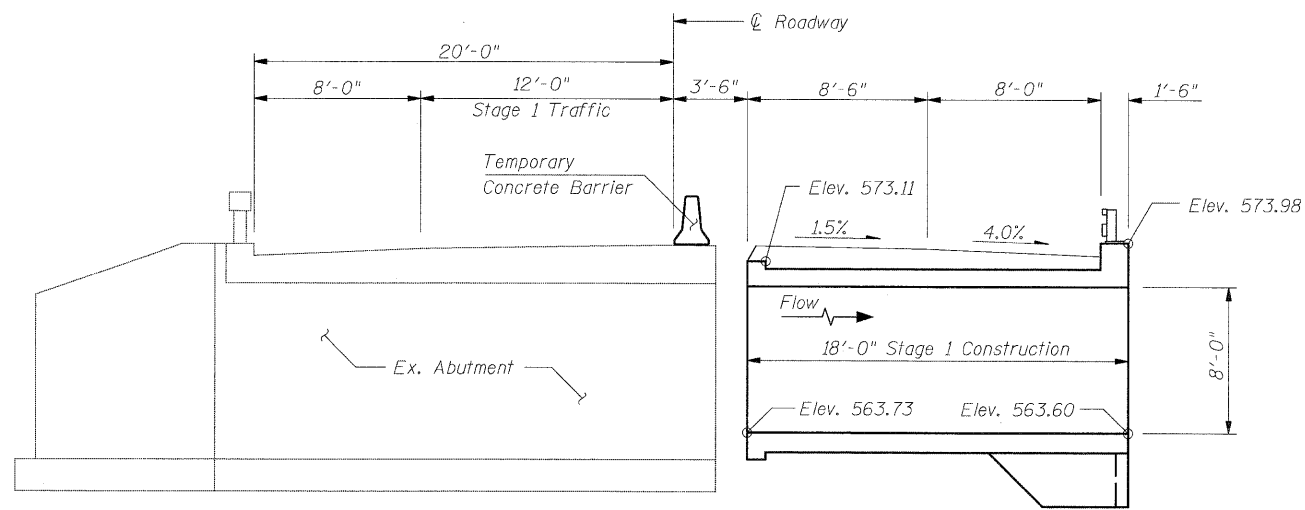
STAGE 1 REMOVAL

(Dim. @ Rt. L's to C Roadway)



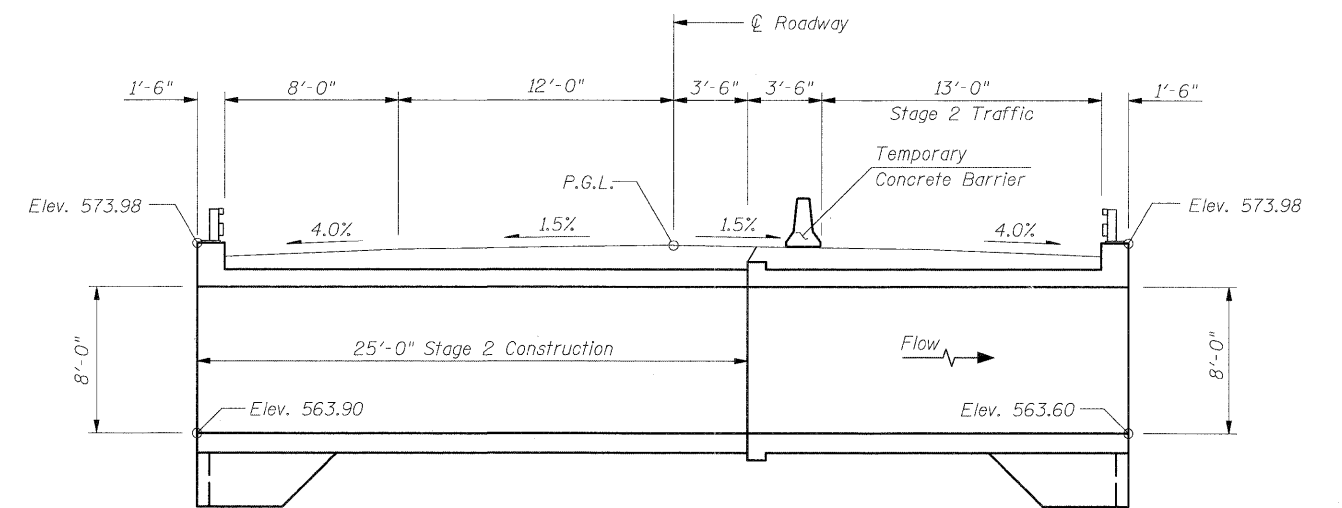
STAGE 2 REMOVAL

(Dim. @ Rt. L's to C Roadway)



STAGE 1 CONSTRUCTION

(Dim. @ Rt. L's to C Roadway)



STAGE 2 CONSTRUCTION

(Dim. @ Rt. L's to C Roadway)

STAGE CONSTRUCTION DETAILS
S.N.026-2020

DESIGNED	SCD
CHECKED	DRB
DRAWN	THW
CHECKED	-



IE CONSULTANTS, INC
6420 SOUTH SIXTH STREET
SPRINGFIELD, ILLINOIS 62712
TEL. (217) 529-8027
FAX (217) 529-4543
IESPRINGFIELD@IE-CONSULTANTS.COM
WWW.IE-CONSULTANTS.COM

SHEET NO. 3	F.A. RTE.	SECTION	COUNTY	TOTAL SHEETS	SHEET NO.
OF 9 SHEETS	*	114B-1(1) & 114B-1(2)	FAYETTE	54	21
* F.A.P. RTE. 750, F.A.S. RTE. 719			CONTRACT NO. 74110		
FED. ROAD DIST. NO. _			ILLINOIS FED. AID PROJECT		