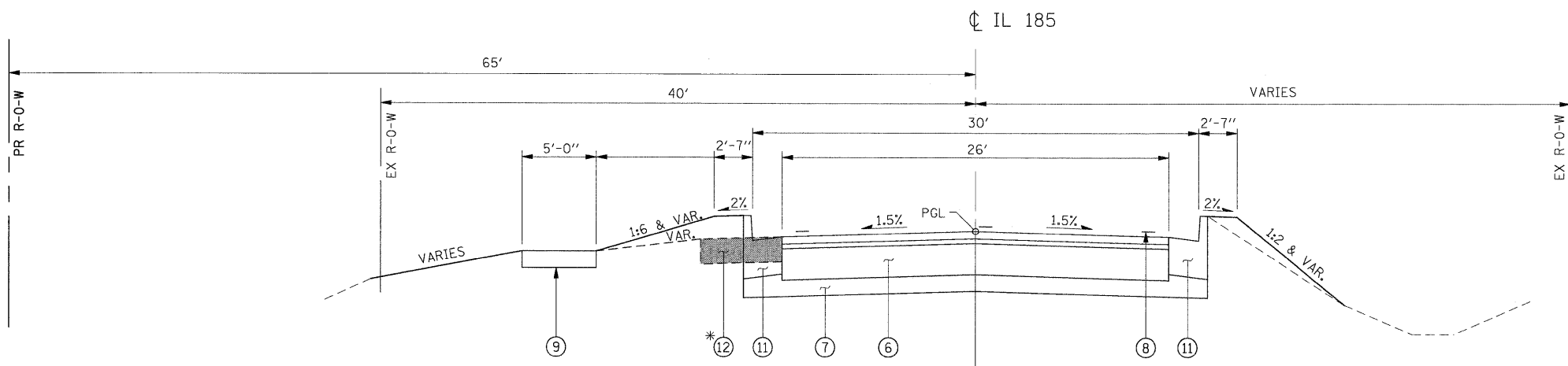
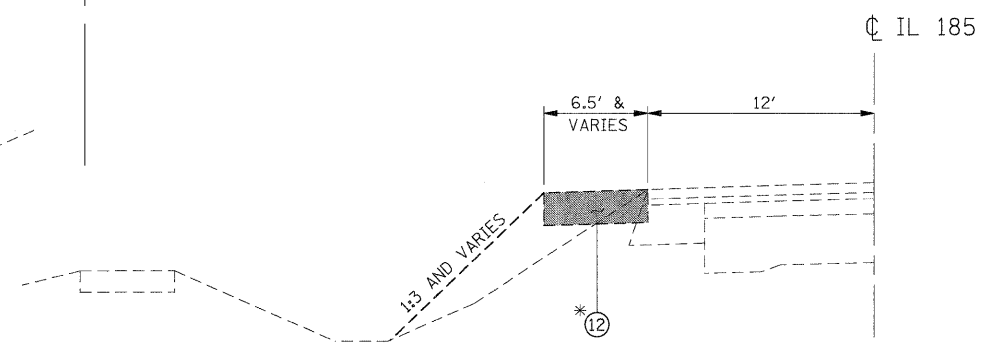


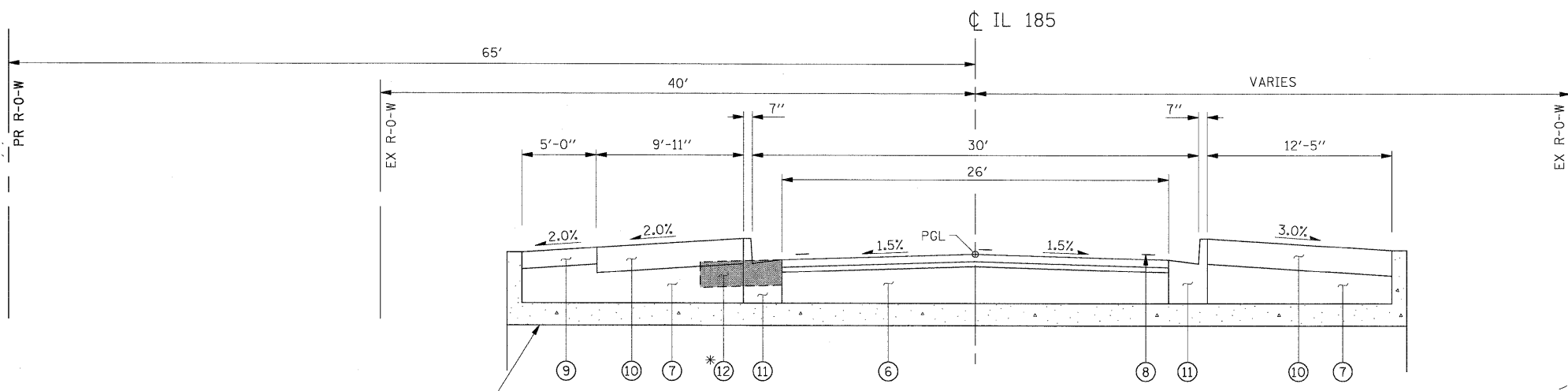
\* REMOVE EXISTING CURB & GUTTER AS REQUIRED, INSTALL BASE COURSE WIDENING IN STAGE 1 AND REPLACE WITH PROPOSED CURB & GUTTER IN STAGE 3.



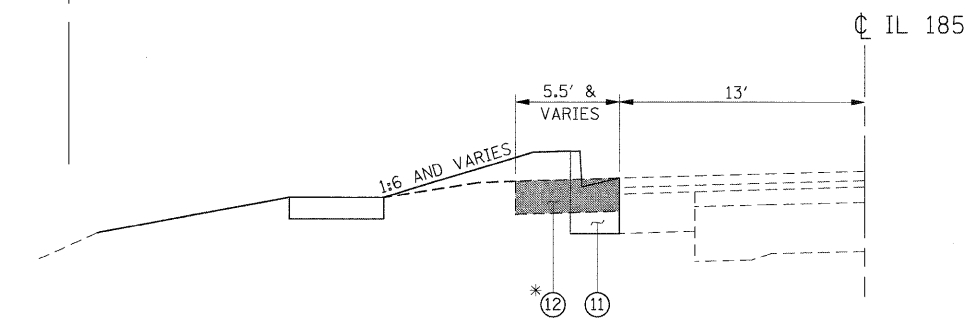
PROPOSED TYPICAL SECTION  
STA. 1033+05 TO 1033+39  
STA. 1033+69 TO 1034+05



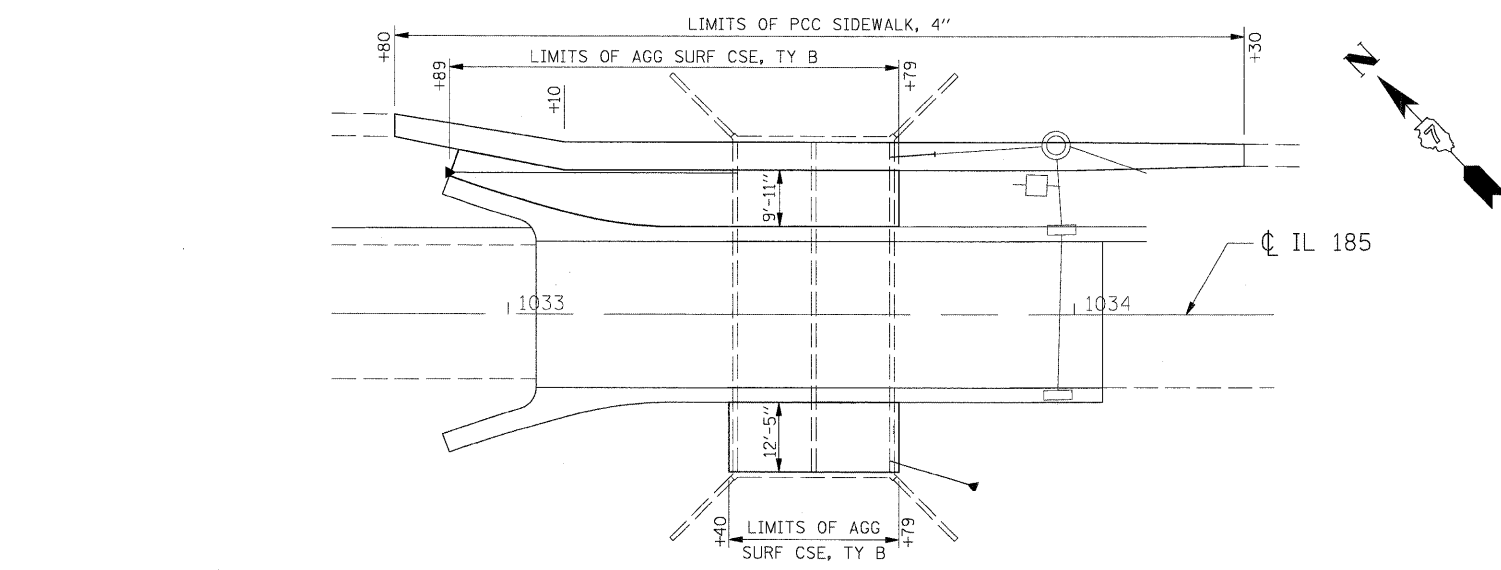
PROPOSED TYPICAL SECTION  
STA. 1030+85 TO 1033+05  
(SEE "MAINTENANCE OF TRAFFIC PLANS")



PROPOSED TYPICAL SECTION  
STA. 1033+39 TO 1033+69



PROPOSED TYPICAL SECTION  
STA. 1034+05 TO 1036+25  
(SEE "MAINTENANCE OF TRAFFIC PLANS")



SIDEWALK PLAN

**LEGEND**

- ① EX P.C.C. PAVEMENT - 9'-6"-9"
- ② EX SUPERPAVE, MIX "C", N50, (1 1/2")
- ③ EX LEVELING BINDER, (MM), SUPERPAVE, N50, (1")
- ④ EX PCC BASE COURSE WIDENING, 9"
- ⑤ EX CONCRETE CURB AND GUTTER, TYPE B-6.24
- ⑥ HMA PAVEMENT (FULL-DEPTH), 13 1/2 "
- ⑦ AGGREGATE BASE COURSE, TYPE B
- ⑧ PAINT PVEMENT MARKING - LINE 4"
- ⑨ PCC SIDEWALK, 4 INCH
- ⑩ AGGREGATE SURFACE COURSE, TYPE B
- ⑪ COMBINATION CONCRETE C & G, TY B-6.24
- ⑫ BASE COURSE WIDENING 8"

**PROPOSED S.N. 026-2019**

FILE NAME =	USER NAME = IE Consultants	DESIGNED -	REVISED -	<b>STATE OF ILLINOIS DEPARTMENT OF TRANSPORTATION</b>	<b>TYPICAL SECTIONS</b>			F.A. RTE.	SECTION	COUNTY	TOTAL SHEETS	SHEET NO.
GA508026-6\Cadd Sheets\0774111-sht-Typ	al02.dgn	DRAWN -	REVISED -					* 114B-1(1) & 114B-1(2)	FAYETTE	54	32	
	PLOT SCALE = 5,0000 1 / IN.	CHECKED -	REVISED -		* F.A.P. RTE. 750, F.A.S. RTE. 719			CONTRACT NO. 74110				
	PLOT DATE = 9/29/2009	DATE -	REVISED -		SCALE:	SHEET NO.	OF SHEETS	STA. TO STA.	FED. ROAD DIST. NO.	ILLINOIS FED. AID PROJECT		