

SEQUENCE OF CONSTRUCTION:

STAGE 3 TRAFFIC:

REMOVE TEMPORARY TRAFFIC SIGNALS AND TEMPORARY CONCRETE BARRIER.

OPEN TWO LANES OF TRAFFIC AND SHIFT SOUTH AS SHOWN.

SET UP TEMPORARY TRAFFIC CONTROL USING THESE PLANS IN CONJUNCTION WITH STANDARD 701326.

STAGE 3 CONSTRUCTION:

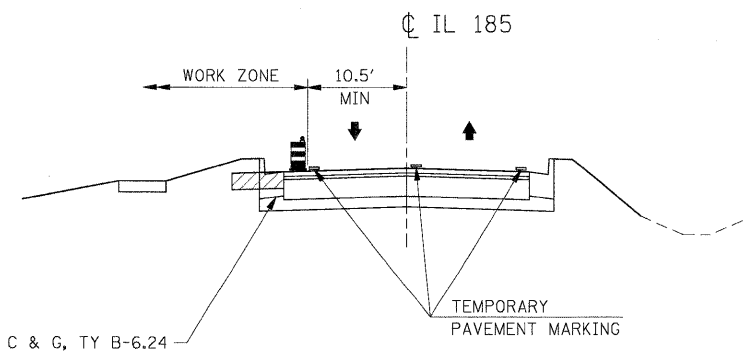
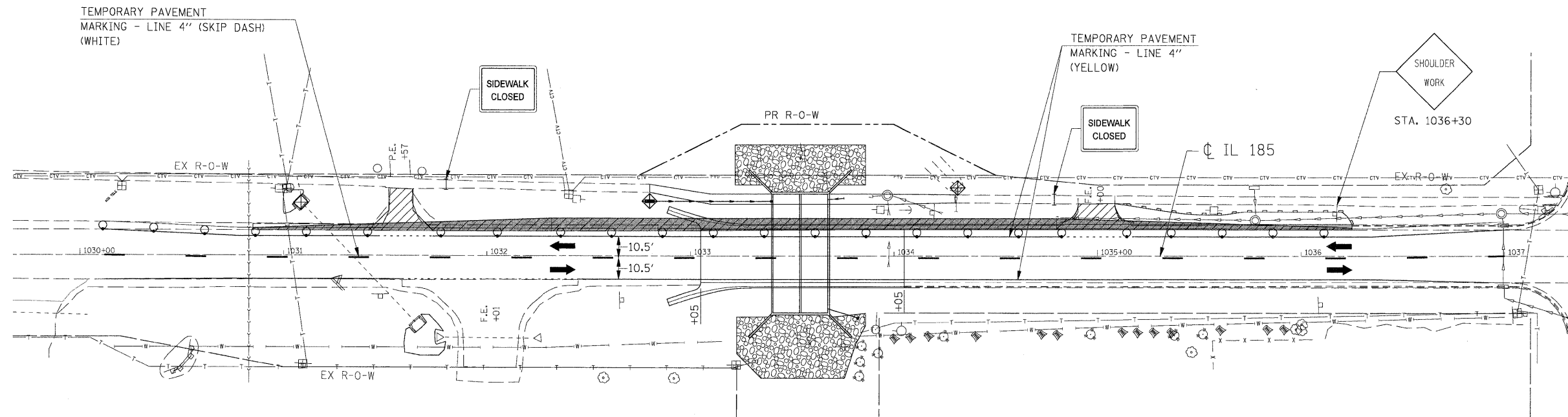
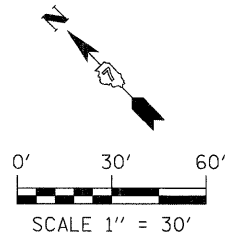
REMOVE TEMPORARY WIDENING, CONSTRUCT CURB & GUTTER AND ENTRANCES.

POST-STAGE TRAFFIC:

SHIFT TRAFFIC AS NEEDED TO CONSTRUCT FINAL PAVEMENT UTILIZING STANDARD 701306.

POST-STAGE CONSTRUCTION:

FOLLOWING COMPLETION OF STAGE 3, CONSTRUCT FINAL ROADWAY AND SHOULDER SURFACE, AGGREGATE SHOULDERS, FINAL STRIPING, GRADING AND SEEDING.



LEGEND

- ↑ SIGN
- DRUM WITH STEADY BURNING LIGHT (BI-DIRECTIONAL)
- I TYPE II BARRICADE
- TRAFFIC SIGNAL
- ▬ TEMPORARY CONCRETE BARRIER
- ▨ IMPACT ATTENUATOR, TEMPORARY
- ▩ PAVEMENT REMOVAL
- ➔ DIRECTION OF TRAFFIC
- TT TYPE III BARRICADE
- ◇ LOOP DETECTORS
- ▨ DOUBLE VERTICAL PANEL

GENERAL STAGING NOTES:

1. ACCESS MUST BE PROVIDED TO ALL F.E.'s. NO SIGNALS WILL BE REQUIRED.
2. THIS TRAFFIC CONTROL PLAN SHALL BE USED IN CONJUNCTION WITH STANDARD 701326 AND AS DIRECTED BY THE ENGINEER.

FILE NAME =	USER NAME = IE Consultants	DESIGNED -	REVISED -	STATE OF ILLINOIS DEPARTMENT OF TRANSPORTATION	MAINTENANCE OF TRAFFIC - STAGE 3	F.A. RTE.	SECTION	COUNTY	TOTAL SHEETS	SHEET NO.		
G:\508026-5\Cadd Sheets\0774111-sht-Stage01-3.dgn	DRAWN -	REVISED -	•			114B-1(1) & 114B-1(2)	FAYETTE	54	40			
PLOT SCALE = 30.0000' / IN.	CHECKED -	REVISED -	• F.A.P. RTE. 750, F.A.S. RTE. 719			CONTRACT NO. 74110						
PLOT DATE = 9/29/2009	DATE -	REVISED -	FED. ROAD DIST. NO. [ILLINOIS] FED. AID PROJECT									
			SCALE:			SHEET NO.	OF	SHEETS	STA.	TO STA.		