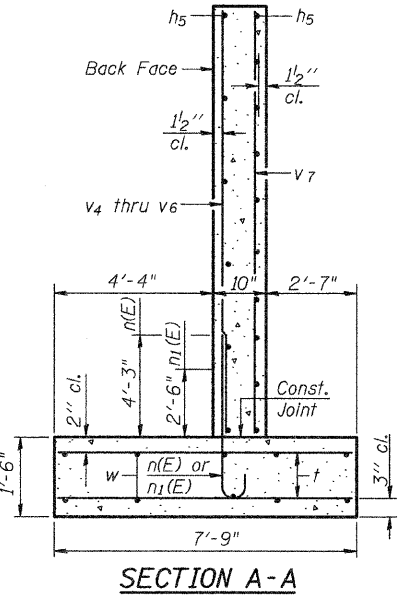
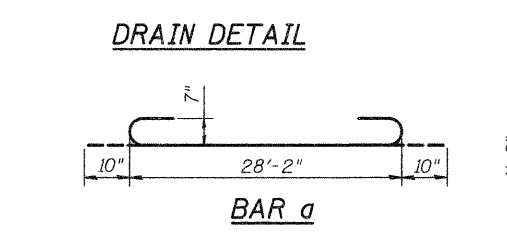
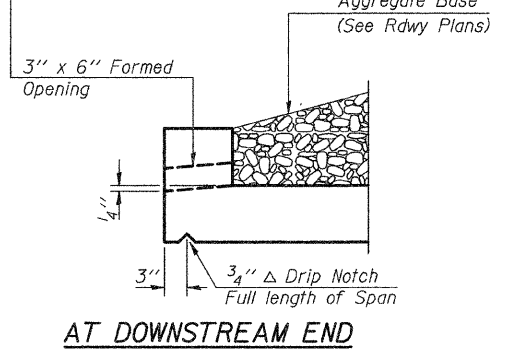
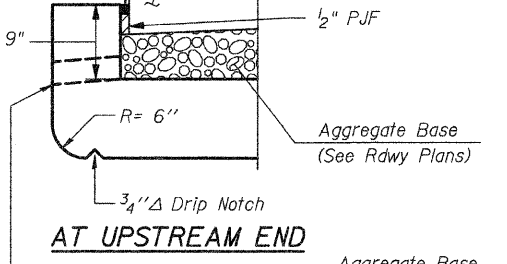
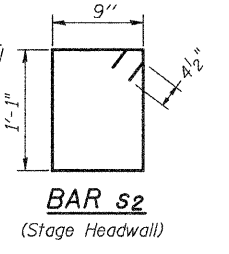
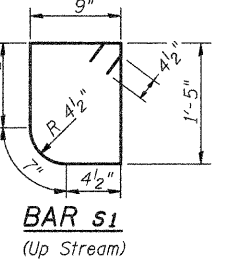
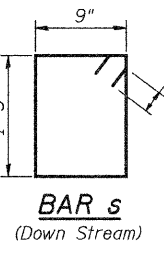
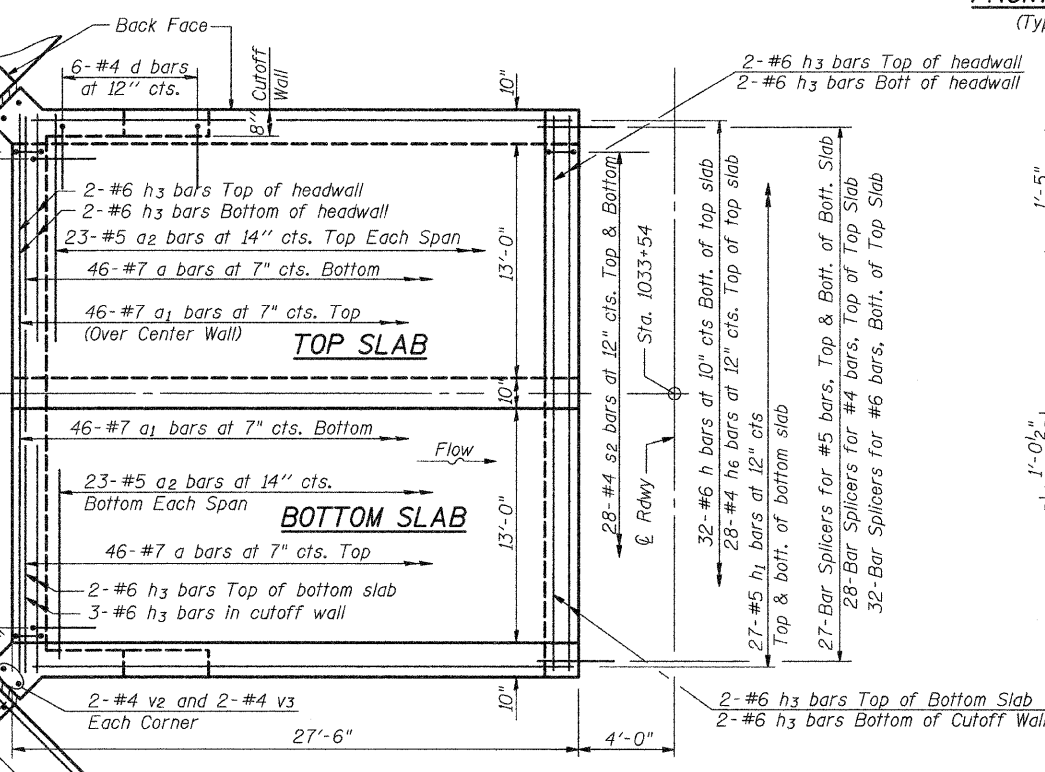
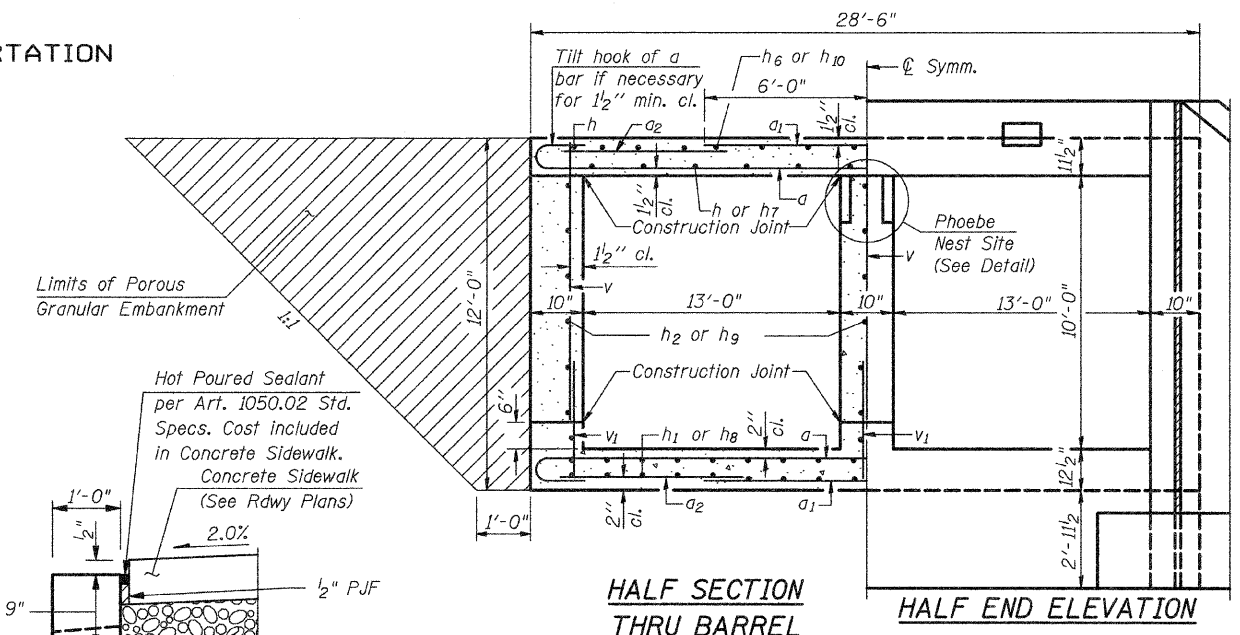
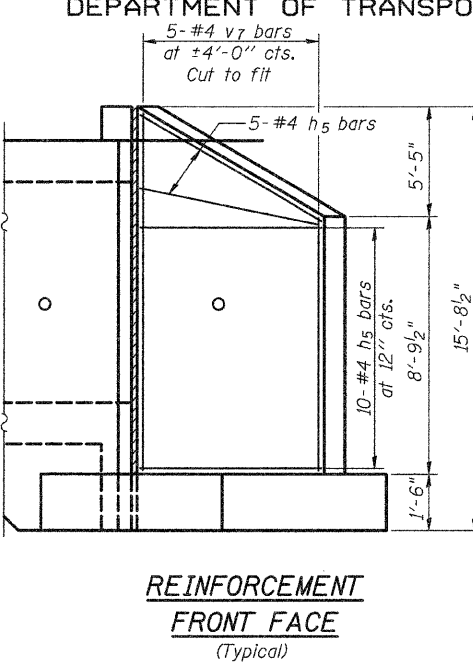
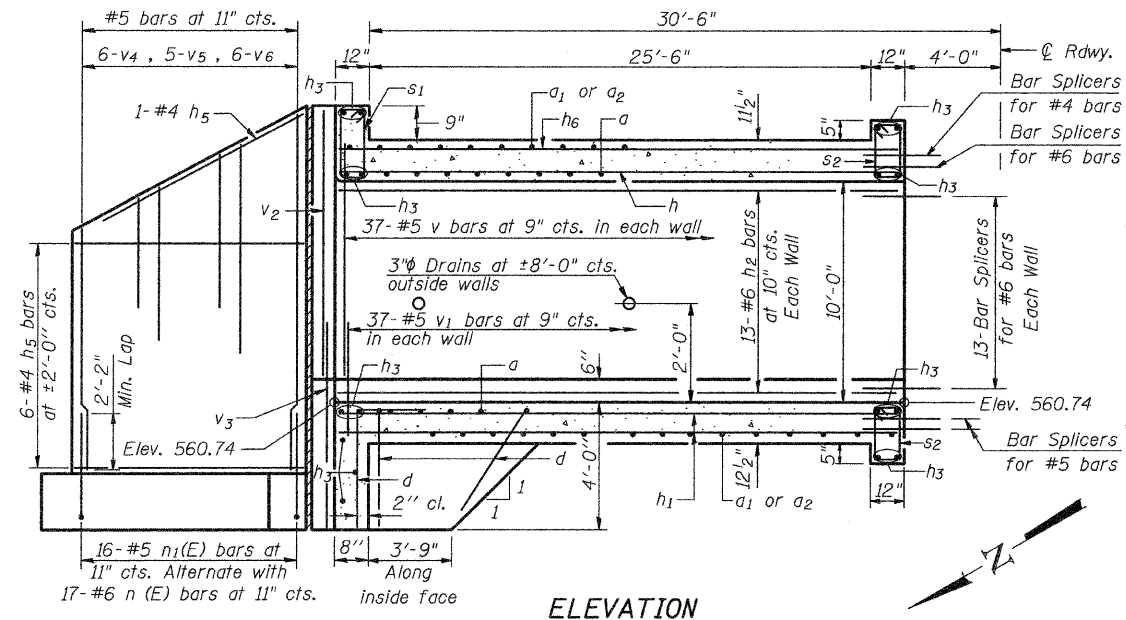


STATE OF ILLINOIS
DEPARTMENT OF TRANSPORTATION



BILL OF MATERIAL

Bar	No.	Size	Length	Shape
a	204	#7	29'-10"	U
a1	204	#7	12'-0"	U
a2	204	#5	9'-7"	U
d	80	#4	5'-6"	J
h	32	#6	27'-2"	U
h1	54	#5	27'-2"	U
h2	39	#6	27'-2"	U
h3	26	#6	28'-0"	U
h5	88	#4	15'-0"	U
h6	28	#4	27'-2"	U
h7	32	#6	32'-8"	U
h8	54	#5	32'-8"	U
h9	39	#6	32'-8"	U
h10	28	#4	32'-8"	U
h11	24	#5	6'-0"	U
n(E)	68	#6	6'-1"	C
n1(E)	64	#5	4'-3"	C
s	28	#4	5'-1"	J
s1	28	#4	4'-11"	J
s2	56	#4	4'-5"	J
t	176	#4	7'-6"	U
v	246	#5	10'-3"	U
v1	246	#5	3'-0"	U
v2	8	#4	10'-11"	U
v3	8	#4	5'-8"	U
v4	24	#5	8'-4"	U
v5	20	#5	10'-0"	U
v6	24	#5	11'-11"	U
v7	20	#4	13'-11"	U
w	40	#5	15'-0"	U
Concrete Box Culverts	Cu. Yd.		240.7	
Reinforcement Bars, Epoxy Coated	Pound		910	
Reinforcement Bars	Pound		39,030	
Bar Splicers	Each		153	

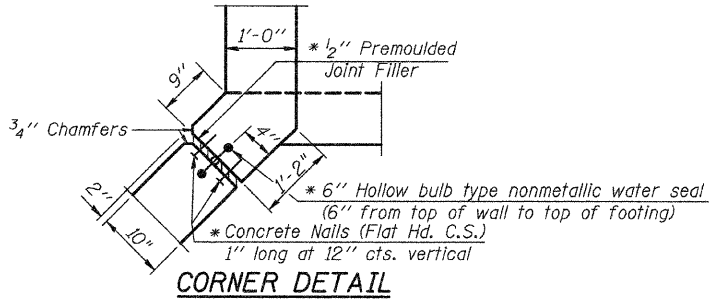
STAGE 1 CULVERT DETAILS
S.N. 026-2019

Notes:
Reinforcement bars designated (E) shall be epoxy coated.
Bars indicated thus 12x4-#5 etc. indicates 12 lines of bars with 4 lengths per line.

SHEET NO. 4 OF 9 SHEETS	F.A. RTE.	SECTION	COUNTY	TOTAL SHEETS	SHEET NO.
	*	114B-1(1) & 114B-1(2)	FAYETTE	54	45
	* F.A.P. RTE. 750, F.A.S. RTE. 719		CONTRACT NO. 74110		
FED. ROAD DIST. NO.		ILLINOIS FED. AID PROJECT			

DESIGNED SCD
CHECKED DRB
DRAWN THW
CHECKED SCD

ie CONSULTANTS
6420 SOUTH SIXTH STREET
SPRINGFIELD, ILLINOIS 62712
TEL. (217) 529-8027
FAX (217) 529-4843
IESPRINGFIELD@IE-CONSULTANTS.COM
WWW.IE-CONSULTANTS.COM



* (Cost of all items shall be included in cost of Concrete Box Culverts)