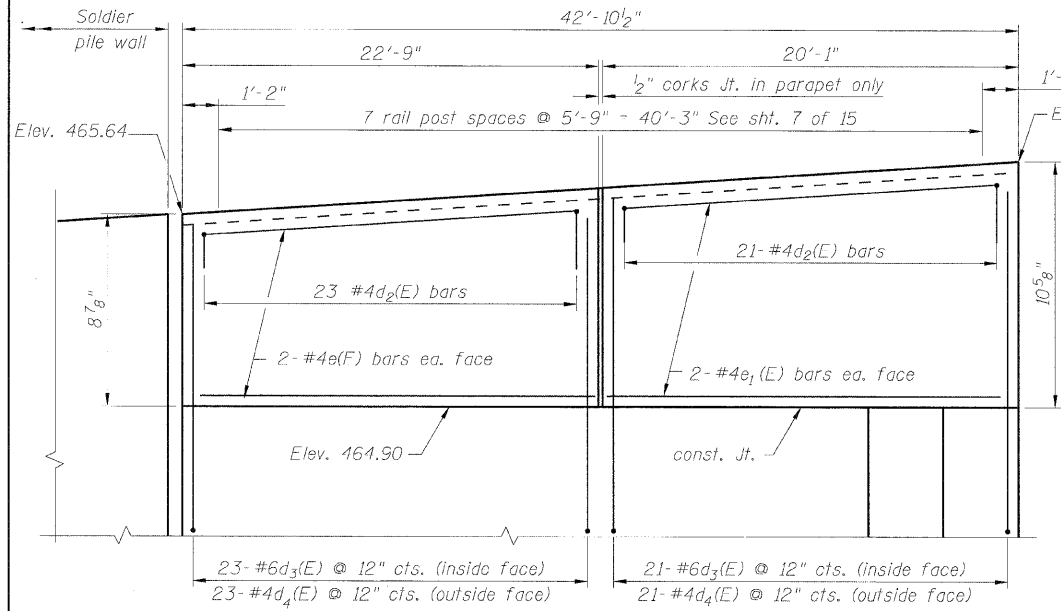
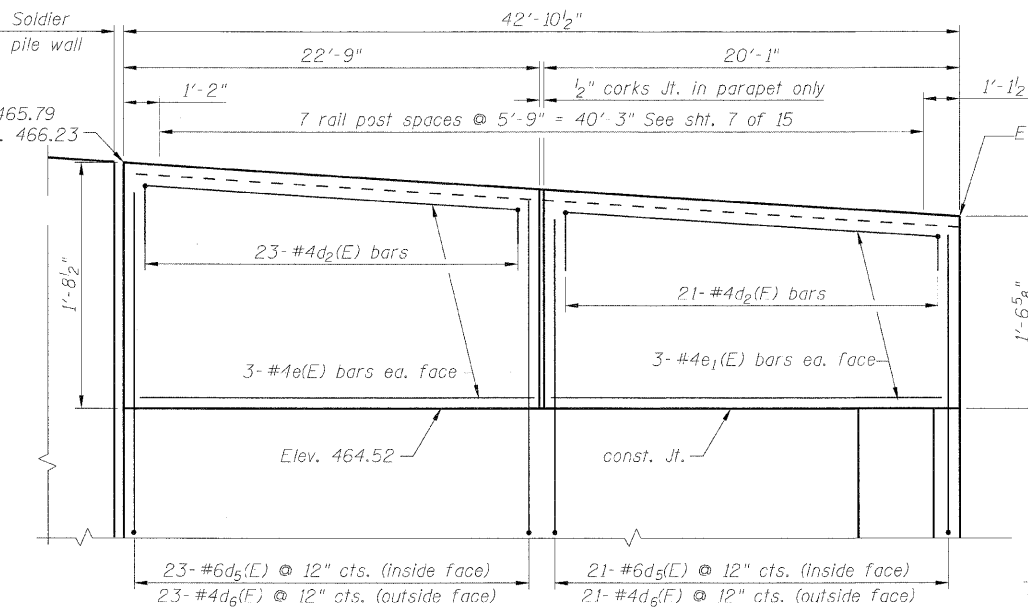


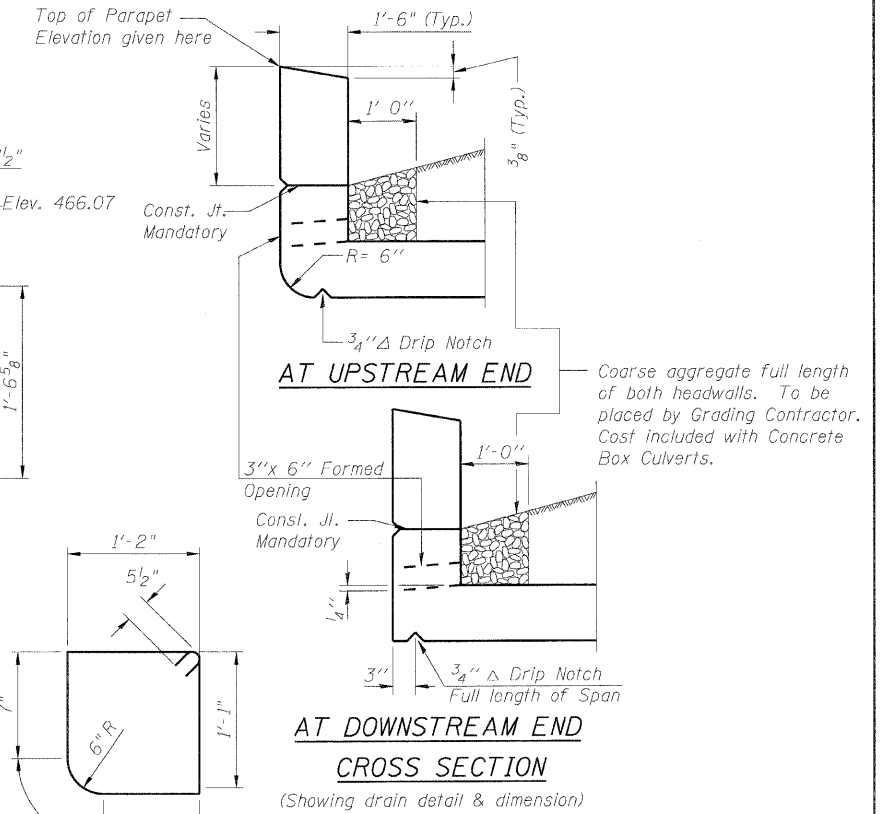
STATE OF ILLINOIS
DEPARTMENT OF TRANSPORTATION



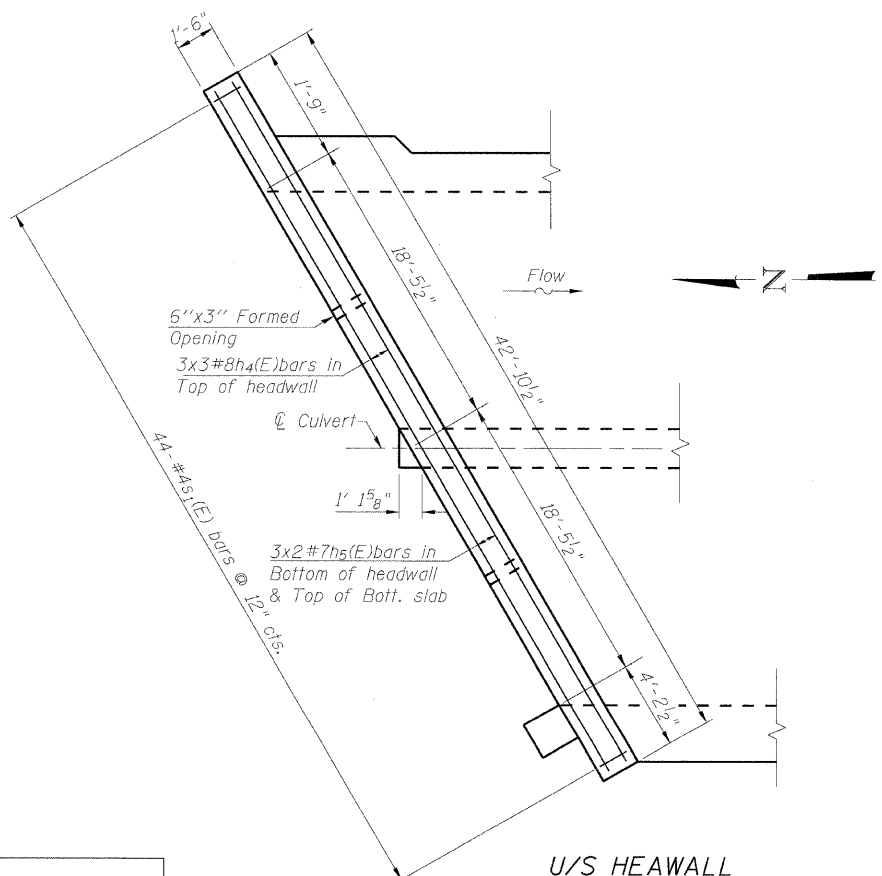
ELEVATION
(U/S HEADWALL & PARAPET)
(Looking D/S)



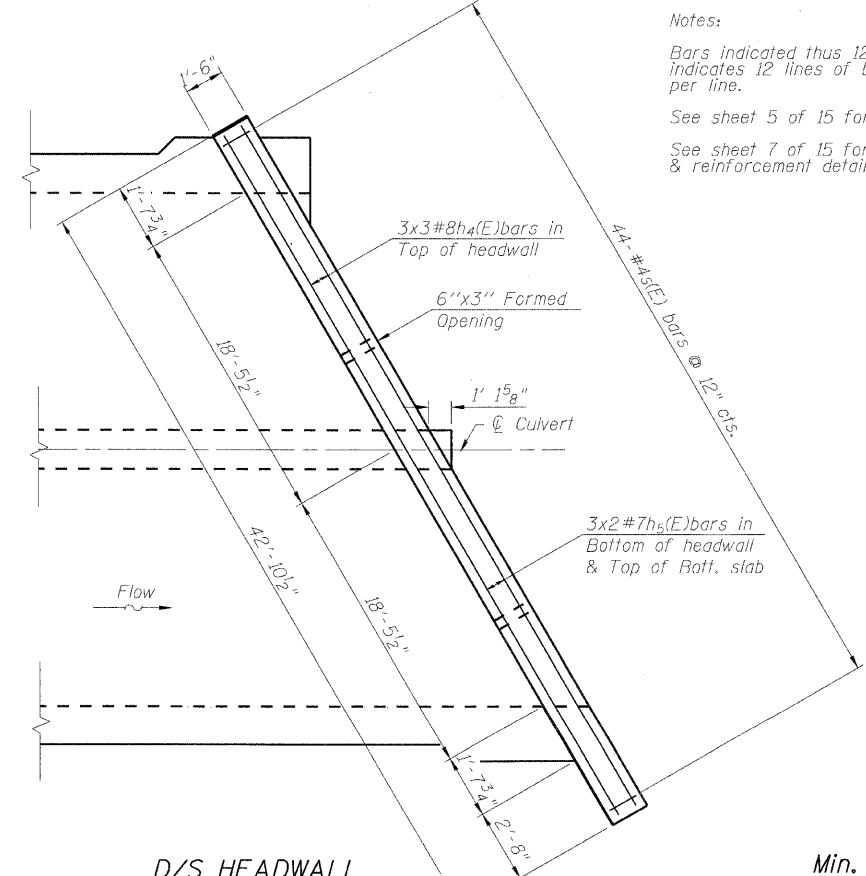
ELEVATION
(D/S HEADWALL & PARAPET)
(Looking U/S)



AT UPSTREAM END
Coarse aggregate full length of both headwalls. To be placed by Grading Contractor. Cost included with Concrete Box Culverts.
AT DOWNSTREAM END
CROSS SECTION
(Showing drain detail & dimension)



U/S HEADWALL

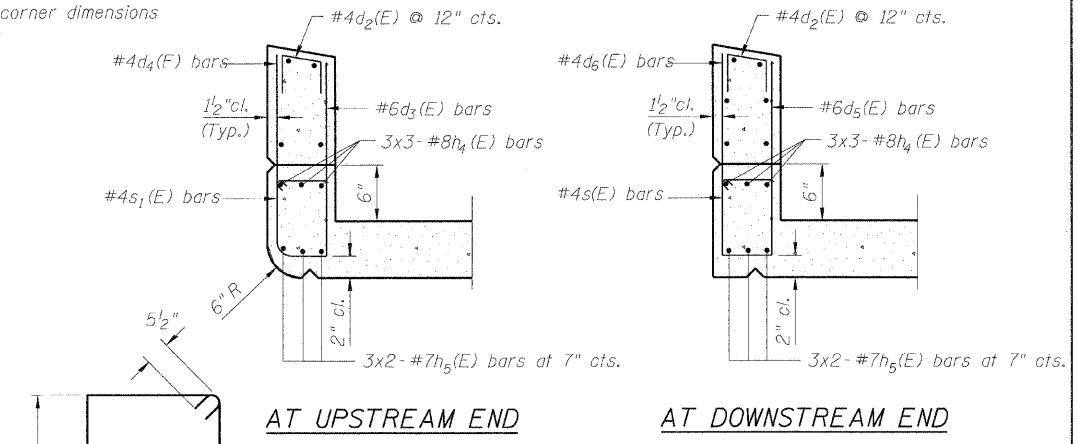


D/S HEADWALL

PLAN

Notes:
Bars indicated thus 12x4-#5 etc. indicates 12 lines of bars with 4 lengths per line.
See sheet 5 of 15 for Bill of Material.
See sheet 7 of 15 for corner dimensions & reinforcement details.

BAR s1(E)



AT UPSTREAM END

AT DOWNSTREAM END

CROSS SECTION
(Showing reinforcement details)

BAR s (E)

Min. bar laps
(unless noted otherwise)
8 bar = 3'-8"
7 bar = 2'-9"

CULVERT HEADWALL & PARAPET
STRUCTURE NO: 082-2044

| |
|----------------|
| DESIGNED - KRG |
| CHECKED - MJK |
| DRAWN - GSJ |
| CHECKED - MJK |

| | | | | | |
|-------------|---|------------------|--------------------|--------------|-----------|
| SHEET NO. 6 | F.A.P. RTE. | SECTION | COUNTY | TOTAL SHEETS | SHEET NO. |
| | 600 | 60-(30,31,128)-1 | St. Clair | 399 | 247 |
| 15 SHEETS | STRUCTURE NO: 082-2044 | | CONTRACT NO. 76830 | | |
| | FED. ROAD DIST. NO. ILLINOIS FED. AID PROJECT | | | | |