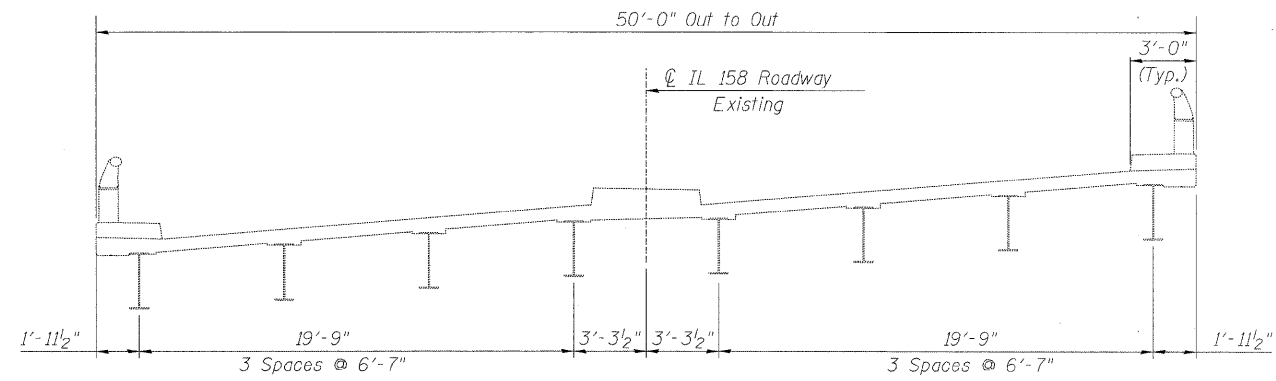
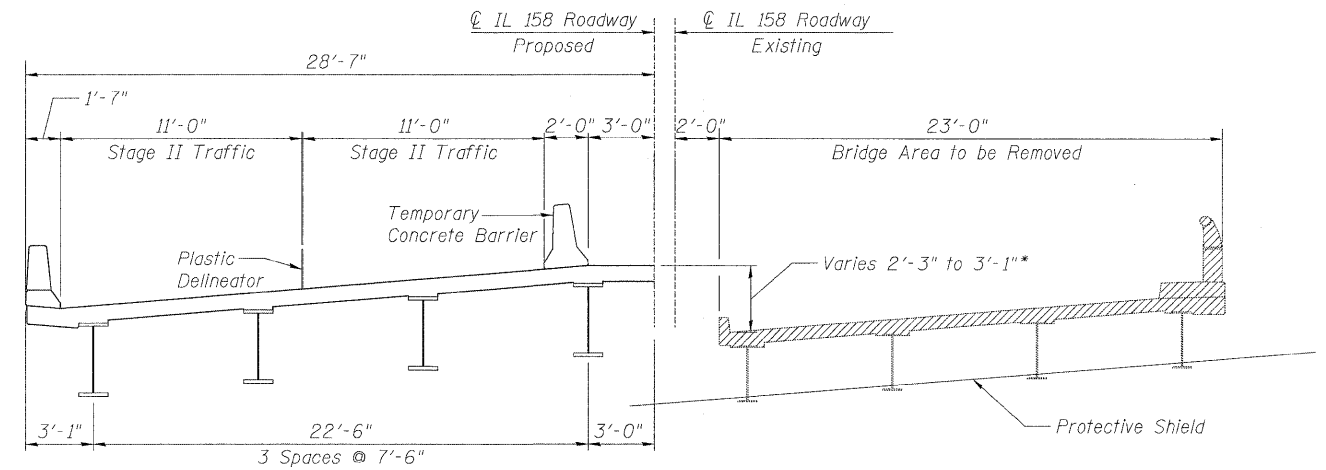


STATE OF ILLINOIS
DEPARTMENT OF TRANSPORTATION

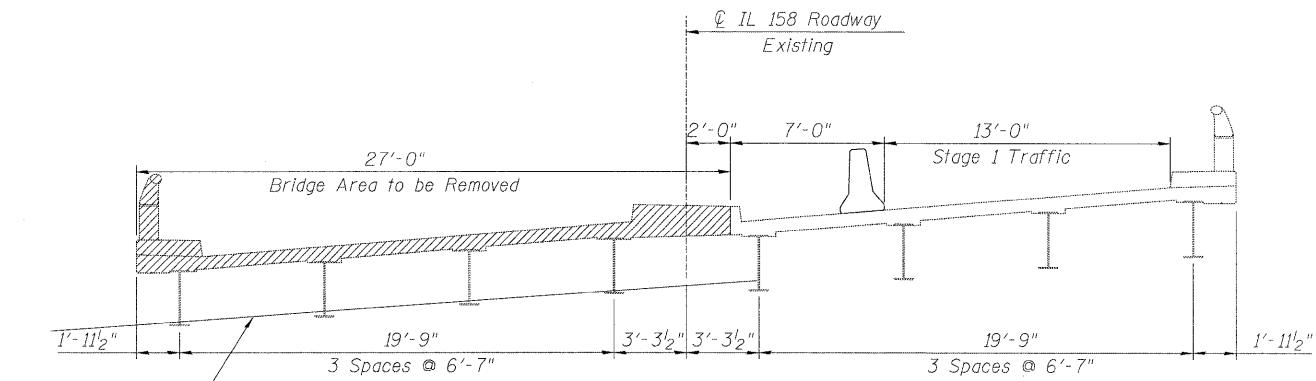
Note:
Dimensions are radial.



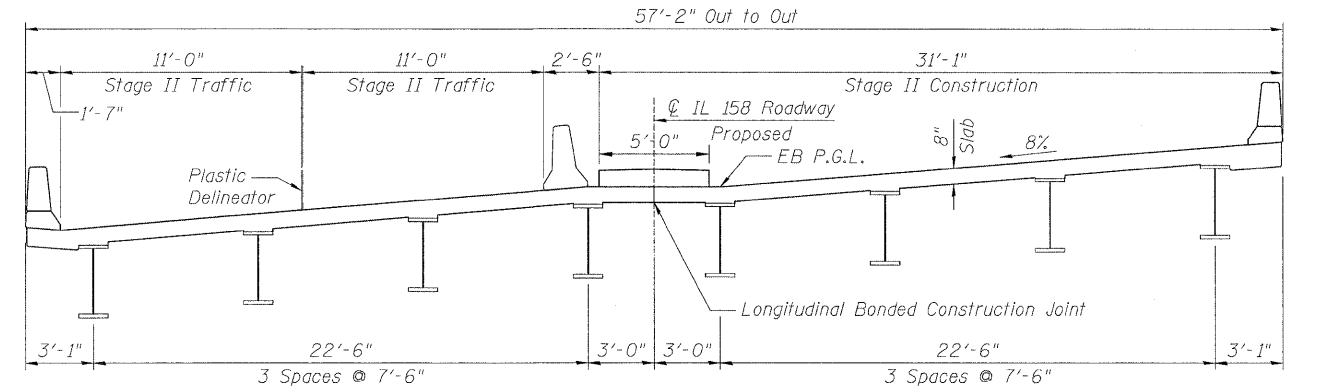
EXISTING CONDITION



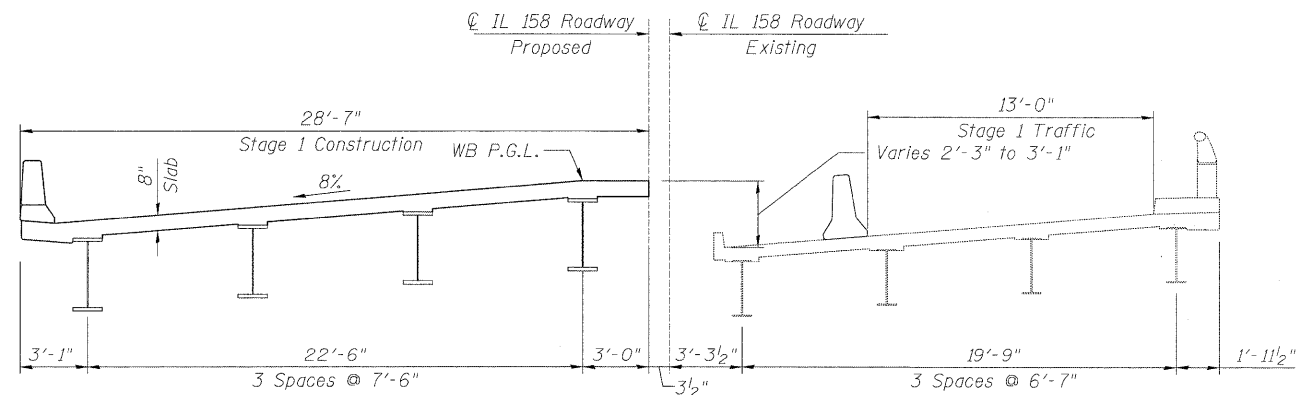
STAGE II BRIDGE DEMOLITION



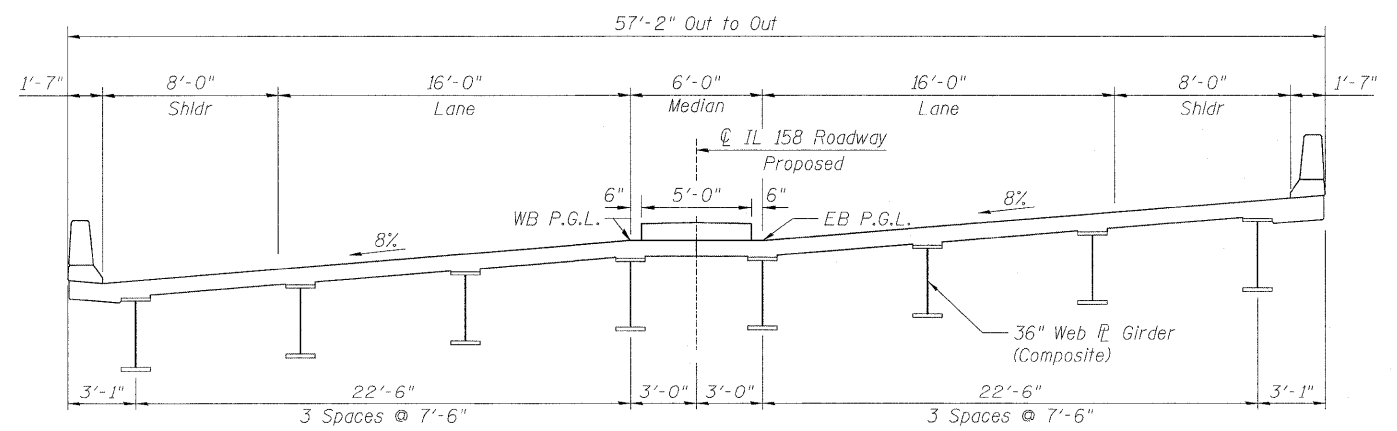
STAGE I BRIDGE DEMOLITION



STAGE II BRIDGE CONSTRUCTION



STAGE I BRIDGE CONSTRUCTION



FINAL CONDITION

Note:
Place Protective Shield as shown
over existing spans 2 and 3 only

CONSTRUCTION STAGING DETAILS
STRUCTURE NO. 067-0042

| |
|--------------------|
| DESIGNED - JPM |
| CHECKED - WPM |
| DRAWN - GAP |
| CHECKED - JPM, WPM |



9-28-09

| | | | | | |
|---|---------------|---------|--------|-----------------|--------------|
| SHEET NO. 3 34 SHEETS | F.A.P RTE. | SECTION | COUNTY | TOTAL SHEETS | SHEET NO. |
| | 809 | 67-1HBR | Monroe | 144 | 67 |
| CONTRACT NO. 76977 | | | | | |
| FED. ROAD DIST. NO. 7 ILLINOIS FED. AID PROJECT | | | | | |