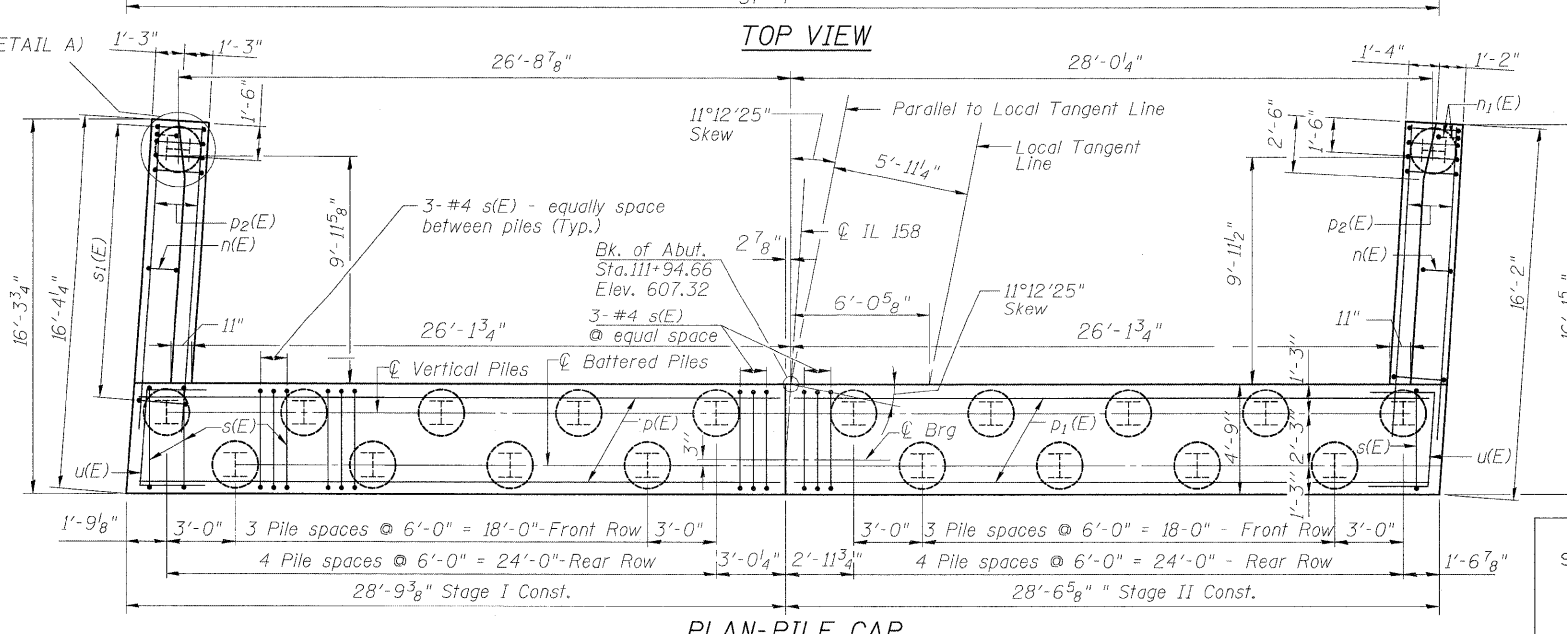
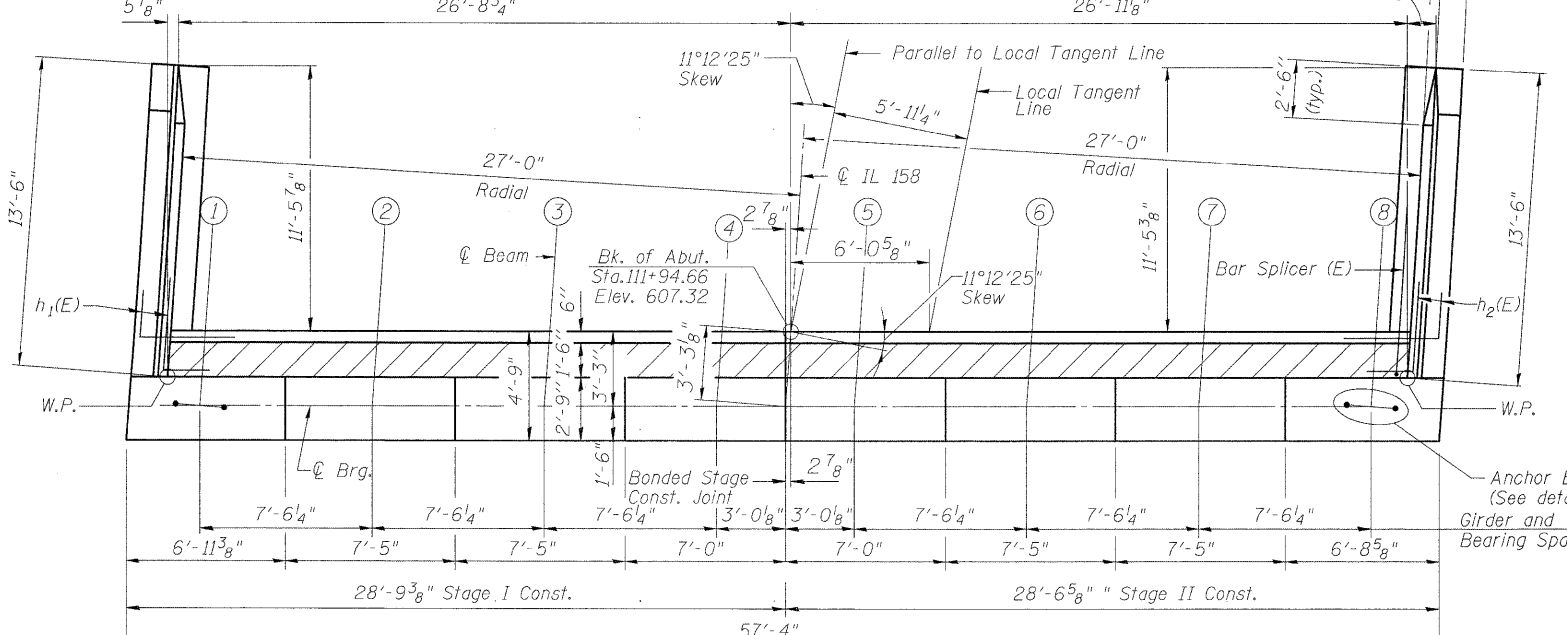
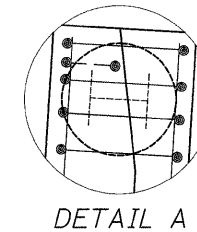
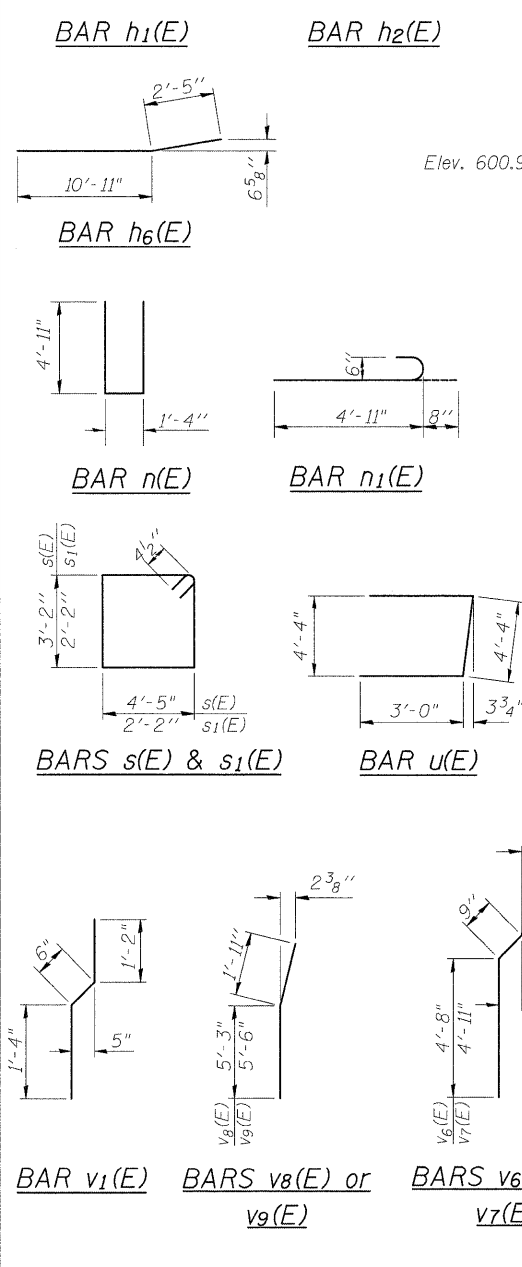
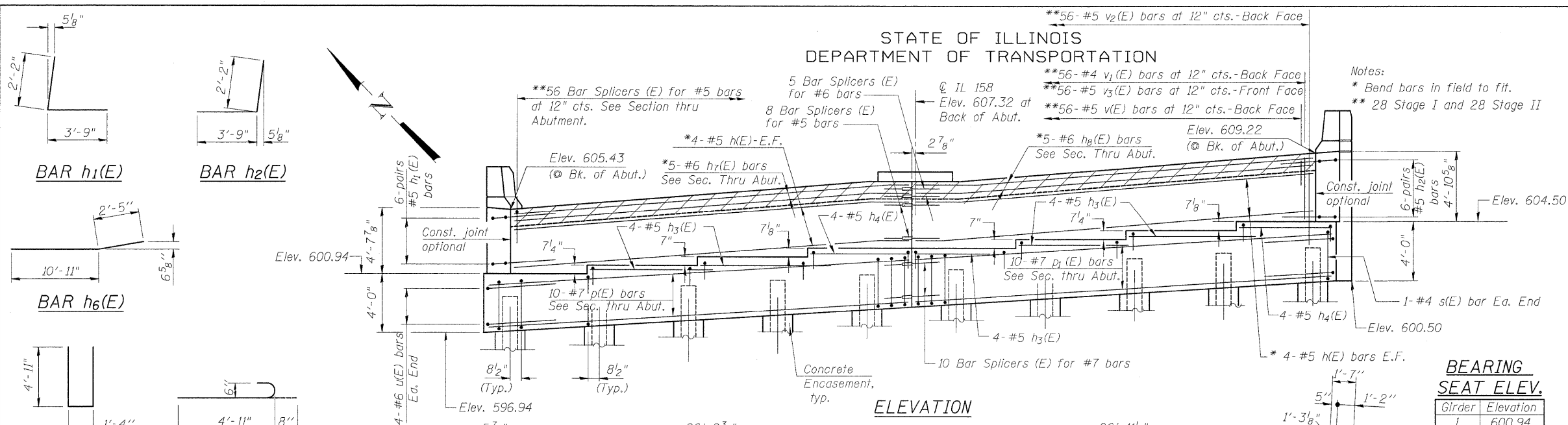


STATE OF ILLINOIS
DEPARTMENT OF TRANSPORTATION



Notes:
* Bend bars in field to fit.
** 28 Stage I and 28 Stage II

BEARING SEAT ELEV.

Girder	Elevation
1	600.94
2	601.54
3	602.13
4	602.72
5	602.72
6	603.31
7	603.91
8	604.50

**ABUTMENT
BILL OF MATERIAL**

Bar	No.	Size	Length	Shape
h(E)	16	#5	28'-4"	
h1(E)	12	#5	5'-11"	
h2(E)	12	#5	5'-11"	
h3(E)	20	#5	8'-11"	
h4(E)	8	#5	6'-5"	
h5(E)	24	#4	13'-3"	
h6(E)	16	#4	13'-4"	
h7(E)	5	#6	26'-11"	
h8(E)	5	#6	26'-9"	
n(E)	24	#6	11'-2"	
n1(E)	12	#6	5'-7"	
p(E)	10	#7	28'-7"	
p1(E)	10	#7	28'-5"	
p2(E)	12	#7	16'-1"	
s(E)	56	#4	15'-11"	
s1(E)	30	#4	9'-5"	
u(E)	8	#6	10'-4"	
v(E)	56	#5	3'-4"	
v1(E)	56	#4	3'-0"	
v2(E)	56	#5	5'-7"	
v3(E)	56	#5	6'-9"	
v4(E)	15	#6	7'-2"	
v5(E)	15	#6	7'-5"	
v6(E)	12	#6	7'-4"	
v7(E)	12	#6	7'-7"	
v8(E)	3	#6	7'-2"	
v9(E)	3	#6	7'-5"	
Structure Excavation	Cu. Yd.		80	
Concrete Structures	Cu. Yd.		76	
Reinforcement Bars, Epoxy Coated	Pound		6,281	
Furnishing Steel Piles HP 12 x 53	Foot		513	
Driving Piles	Foot		513	
Test Pile Steel HP 12 x 53	Each		1	
Pile Shoes	Each		20	
Concrete Encasement	Cu. Yd.		7.0	
Concrete Sealer	Sq. Ft.		627	

Notes:
1. For details of Bar Splicers, see sheet 27 of 34.
2. For details of piles and Concrete Encasement, see sheet 26 of 34
3. Work this sheet with sheet 24 of 34.
4. Hatched area to be poured after superstructure false work has been removed. Quantity of concrete included with Concrete Superstructure.

PILE DATA

Type: Steel - HP 12 x 53 with Pile Shoes
Allowable Resistance Available: 140 kips
Nominal Required Bearing: 420 kips
Est. Length: 27 ft
No. Production Piles: 19
No. Test Piles: 1

Notes:
See sheet 4 of 34 for Test Pile location.

**EAST ABUTMENT DETAILS
STRUCTURE NO. 067-0042**

DESIGNED - JPM
CHECKED - EHP
DRAWN - JPM
CHECKED - WPM
9-28-09



SHEET NO.23 34 SHEETS	F.A.P RTE.	SECTION	COUNTY	TOTAL SHEETS	SHEET NO.
	809	67-1HBR	Monroe	144	87
CONTRACT NO. 76977					
FED. ROAD DIST. NO. 7 ILLINOIS FED. AID PROJECT					