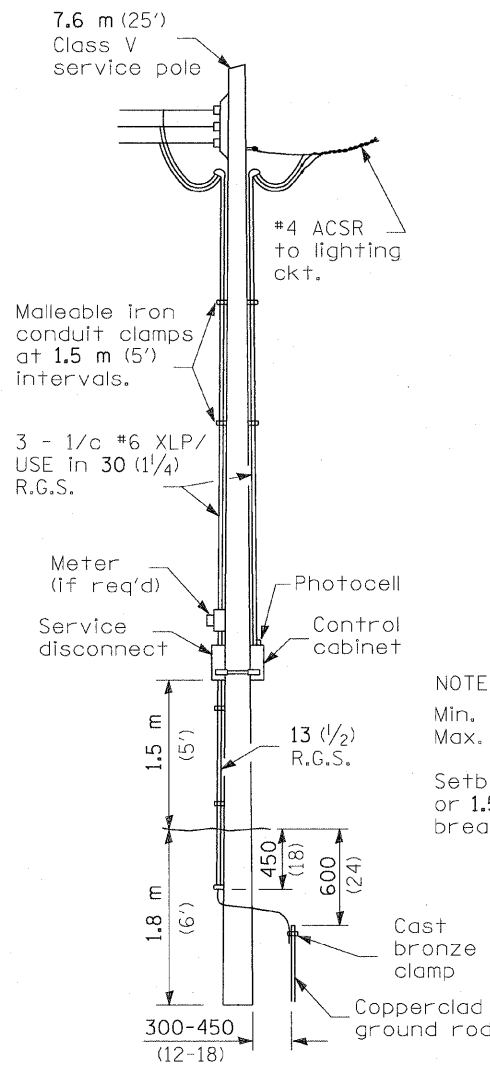
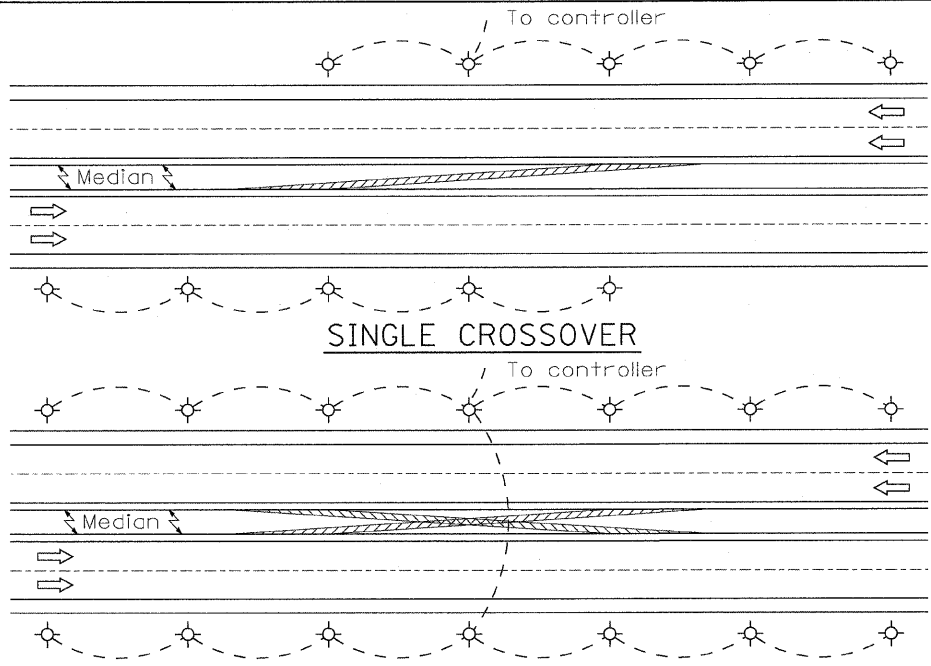


**ANCHOR BASE W/
METAL FOUNDATION** **BUTT BASE**

**POLE, FIBERGLASS
BREAKAWAY TYPE**



**SERVICE
INSTALLATION**



SINGLE CROSSOVER

DUAL CROSSOVER

NOTE:
Min. Pole spacing 60 m (200')
Max. Pole spacing 75 m (250')

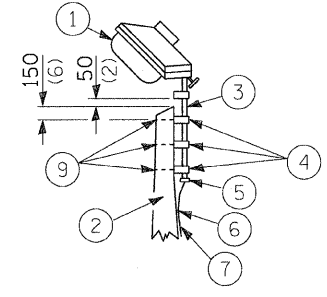
Setback shall be min. 9 m (30')
or 1.5 m (5') back of ditch, unless
breakaway type pole is used.

- ① Luminaire
- ② Wood pole, class 3 or better
- ③ 63 (2 1/2) Galv. steel conduit
- ④ Single offset pole band
- ⑤ Conduit bushing
- ⑥ Cable clamps on 600 (24) centers
- ⑦ 2/c #12 Type USE cable
- ⑧ 25 (1) Galv. steel conduit 3.0 m (10') in length

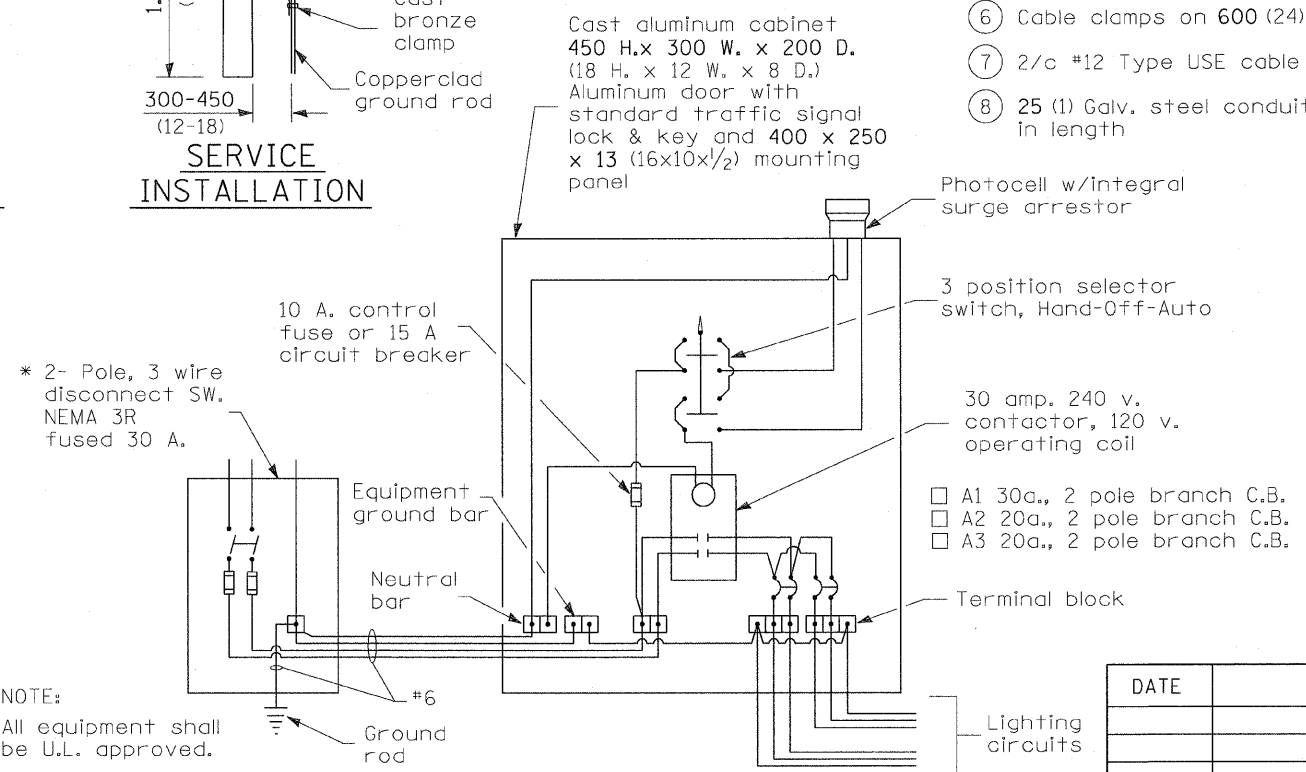
NOTE:
Luminaire(s) shall have a 2-pole inline weatherproof quick disconnect fuse holder.

Luminaire(s) shall be oriented and the mounting angle adjusted as recommended by the Engineer.

Connect luminaire equipment ground to ACSR messenger.



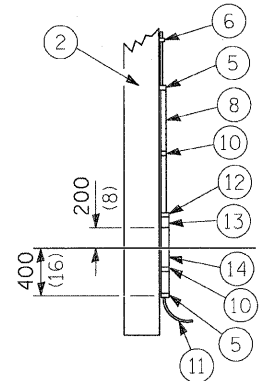
- ⑨ 16 (5/8) Ø hot dipped galvanized bolt with flat washer & locknut (3 req'd)
- ⑩ Conduit clamps on 900 (36) centers
- ⑪ Unit duct
- ⑫ Threaded reducer
- ⑬ "C" Condulet, threaded
- ⑭ 40 (1 1/2) Galv. steel conduit for 1 unit duct or 75 (3) galv. steel conduit for 2 or 3 unit ducts.



WIRING DIAGRAM

NOTE:
All equipment shall be U.L. approved.

* 30 A. or 60 A., dependent upon utility co. rules.



POLE, WOOD

POLE LENGTH	DEPTH IN GROUND
19.8 m (65')	3.6 m (12')
18.0 m (60')	3.0 m (10')
16.8 m (55')	2.7 m (9')
16.0 m (50')	2.4 m (8')
13.7 m (45')	2.1 m (7')
12.0 m (40')	2.0 m (6.5')
10.7 m (35')	1.8 m (6')
9.0 m (30')	1.7 m (5.5')

All dimensions are in millimeters (inches) unless otherwise shown.

DATE	REVISIONS

**TEMPORARY
ROADWAY LIGHTING**