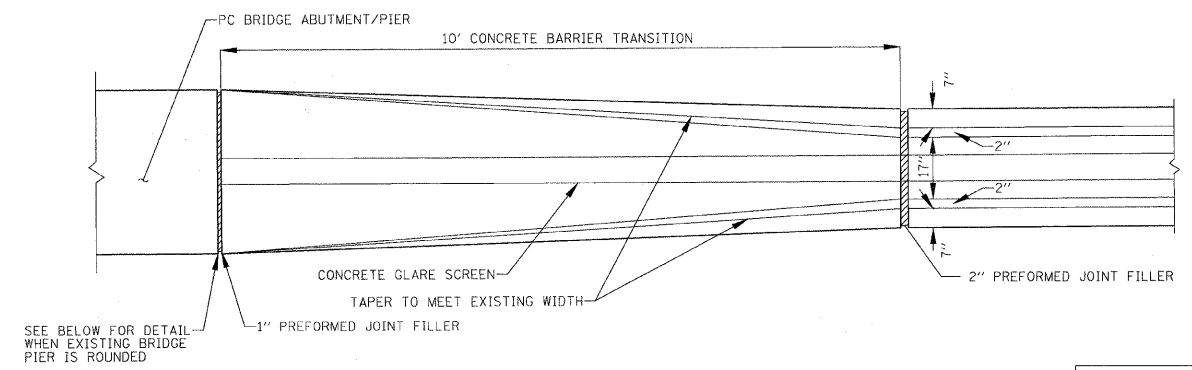
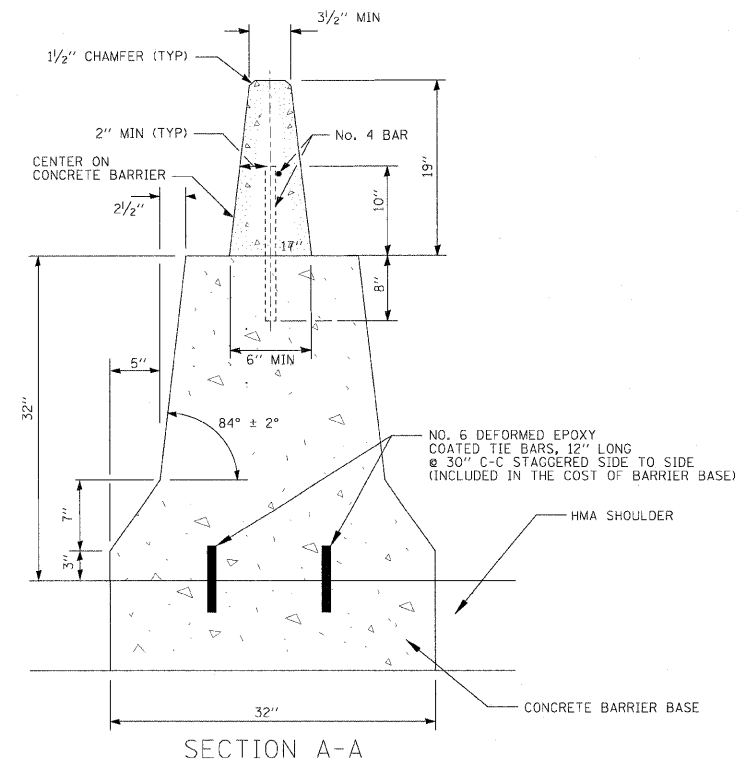


PLAN



GENERAL NOTES

1. CONTRACTOR OPTIONS FOR FILL BETWEEN BARRIER WALLS (WHEN NEEDED):
 A. PLACE 4" CLASS SI CONCRETE.
 B. PLACE 12" OF GRANULAR MATERIAL AT BASE BETWEEN WALLS.
 C. PLACE GRANULAR MATERIAL FROM BASE TO BOTTOM OF 4" CAP. FORMING MATERIAL FOR 4" CAP MAY REMAIN IN PLACE.
2. REINFORCING STEEL SHALL EXTEND CONTINUOUS THROUGH CONSTRUCTION JOINTS. AT JOINTS WITH EXISTING BARRIER WALL TO REMAIN, SEE STANDARD 637006-02 FOR JOINT DETAILS.
3. ADJUST HEIGHT OF BARRIER ON LOW SIDE OF OFFSET OR SUPER-ELEVATED ROADWAYS TO PROVIDE LEVEL GRADE ACROSS TOP OF TYPE 5 BARRIER.
4. EXPANSION JOINTS SHOWN ON THIS DRAWING SHALL BE PREFORMED JOINT MATERIAL (BITUMINOUS TYPE) FILLER SHALL MEET AASHTO DESIGNATION M-33.
5. ALL REINFORCING STEEL SHALL BE GRADE 40 OR GRADE 60 MEETING THE REQUIREMENTS OF AASHTO M31 OR ASTM A615.
6. ALL WORK DETAILED HEREIN SHALL BE INCLUDED IN THE COST OF THE VARIOUS CONCRETE BARRIER PAY ITEMS.



DOUBLE FACE CONCRETE BARRIER TRANSITION

CONCRETE BARRIER SCHEDULE							
LOCATION	SIDE	CONCRETE BARRIER DOUBLE FACE 32" (FT)	CONCRETE GLARE SCREEN (FT)	BARRIER WALL MARKERS (EA)	CONCRETE BARRIER TRANSITION (FT)	CONCRETE BARRIER BASE (FT)	PROTECTIVE COATING (SQ YD)
I-55 N							
STA 79+44.97 TO STA 79+76.75	LT	22	32	4	10	32	20
STA 80+15.90 TO STA 82+13.13	LT	187	197	4	10	197	124
TOTAL							

FILE NAME =	USER NAME = #USER#	DESIGNED - AGF	REVISED -
#FILE.#		DRAWN - AGF	REVISED -
	PLOT SCALE = #SCALE#	CHECKED - DRH	REVISED -
	PLOT DATE = #DATE#	DATE - OCTOBER 15, 2009	REVISED -

**STATE OF ILLINOIS
DEPARTMENT OF TRANSPORTATION**

CONCRETE BARRIER DETAIL

SCALE: 1" = 20' SHEET NO. 1 OF 1 SHEETS STA. N/A TO STA. N/A

F.A.I. RTE.	SECTION	COUNTY	TOTAL SHEETS	SHEET NO.
TO	82-2-1HB	ST CLAIR	236	149
CONTRACT NO. 76C55				
ILLINOIS FED. AID PROJECT				