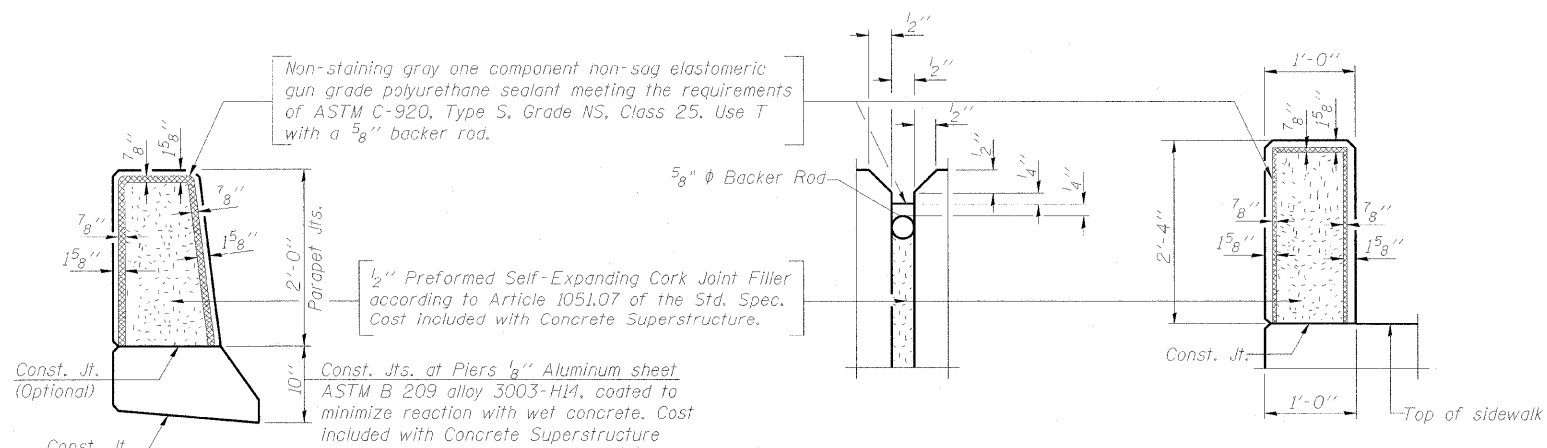


DECK CROSS SECTION
(Looking East)



PARAPET JOINT DETAILS

PARAPET JOINT DETAILS AT SIDEWALK

FILE NAME =	USER NAME = \$USER\$	DESIGNED - JXH	REVISED -	STATE OF ILLINOIS DEPARTMENT OF TRANSPORTATION	DECK CROSS SECTION AND DETAILS EXCHANGE AVENUE OVER I-55 /70 (S.N. 082-0378)		F.A.I. RTE.:	SECTION	COUNTY	TOTAL SHEETS	SHEET NO.	
#FILES#	PLT SCALE = \$SCALE\$	DRAWN - JHR	REVISED -		70	82-1-1HB	ST. CLAIR	236	169			
	PLT DATE = \$DATE\$	CHECKED - CHY	REVISED -		SCALE:		SHEET NO. 5-10 OF 5-37 SHEETS		STA.	TO STA.	CONTRACT NO. 76C55	
		DATE - 10-09-09	REVISED -		FED. ROAD DIST. NO.		ILLINOIS FED. AID PROJECT					