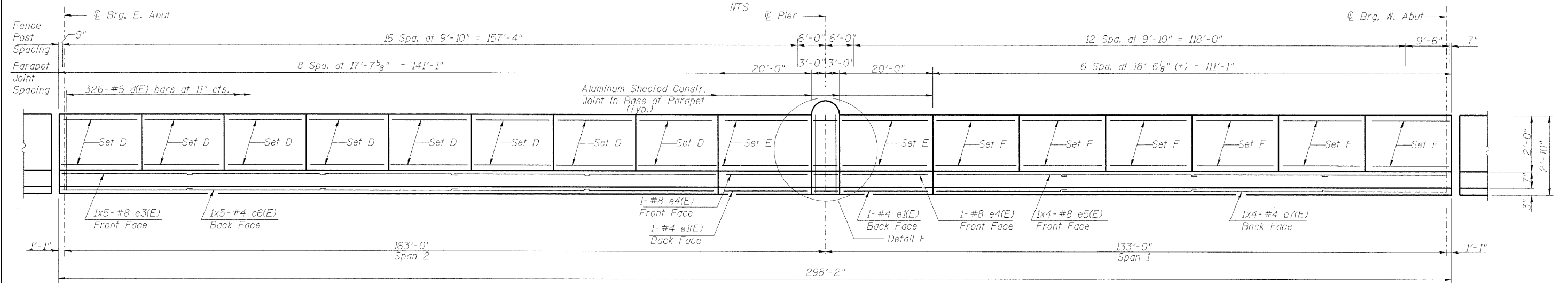
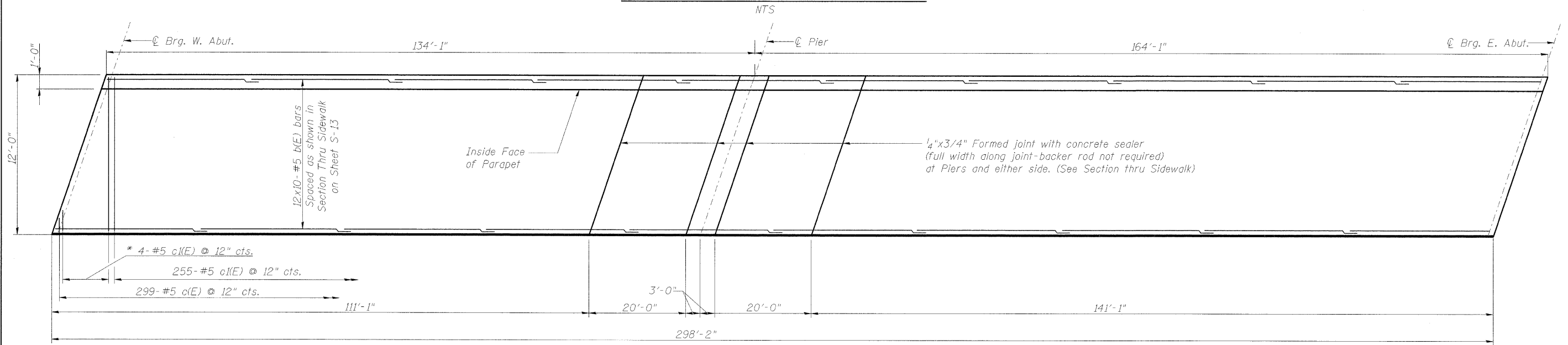


INSIDE ELEVATION OF NORTH PARAPET



INSIDE ELEVATION OF SOUTH PARAPET

- Set A (6 locations)
6-#4 e(E) bars around perimeter
(See section thru parapet)
- Set B (2 locations)
6-#4 e1(E) bars around perimeter
(See section thru parapet)
- Set C (8 locations)
6-#4 e2(E) bars around perimeter
(See section thru parapet)
- Set D (8 locations)
7-#4 e2(E) bars around perimeter
(See section thru parapet)
- Set E (2 locations)
7-#4 e1(E) bars around perimeter
(See section thru parapet)
- Set F (6 locations)
7-#4 e(E) bars around perimeter
(See section thru parapet)



SIDEWALK PLAN

* Order c1(E) bars full length
Cut to fit skew and use remainder
of bars in opposite end.

- Notes:
1. Work this sheet with Sheets S-12 & S-13
 2. Bars indicated thus 12x10-#5 etc. indicates 12 lines of bars with 10 lengths per line.

FILE NAME = 082-0378_76C55_S11_ParapetE1.dgn	USER NAME = hej	DESIGNED - JXH	REVISED -	STATE OF ILLINOIS DEPARTMENT OF TRANSPORTATION	PARAPET ELEVATIONS EXCHANGE AVENUE OVER I-55 /70 (S.N. 082-0378)	F.A.I. RTE. 70	SECTION 82-1-IHB	COUNTY ST. CLAIR	TOTAL SHEETS 236	SHEET NO. 170	
PLOT SCALE = 0=1' / IN.	DRAWN - JHR	CHECKED - CHY	REVISED -			CONTRACT NO. 76C55					
PLOT DATE = 11/11/2009	DATE - 10-09-09	REVISED -	REVISED -			FED. ROAD DIST. NO. ILLINOIS FED. AID PROJECT					
						SCALE: SHEET NO. S-11 OF S-37 SHEETS STA. TO STA.					