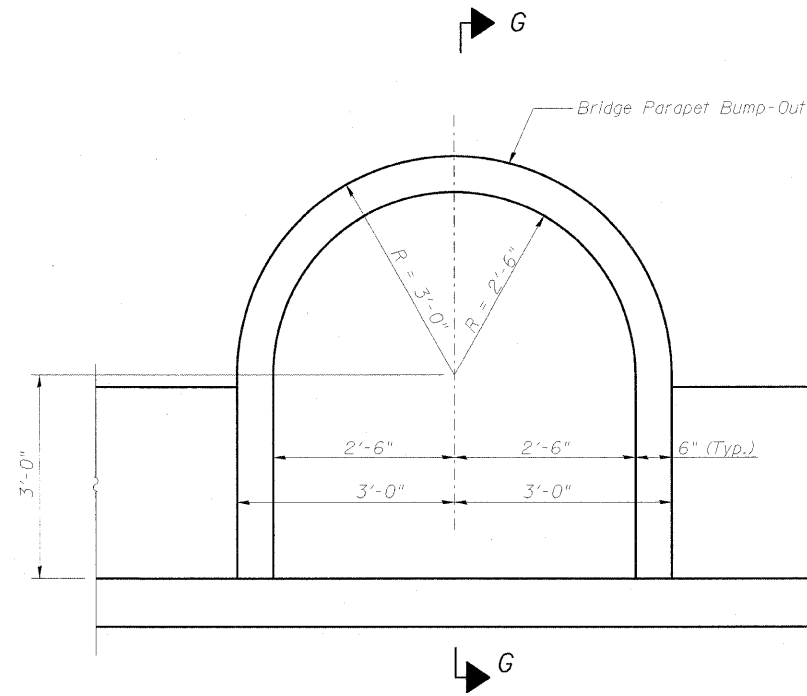
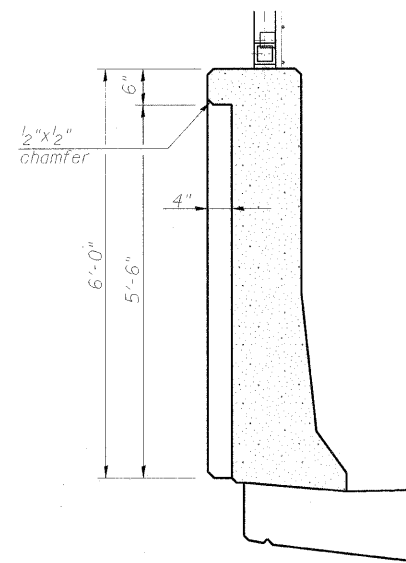


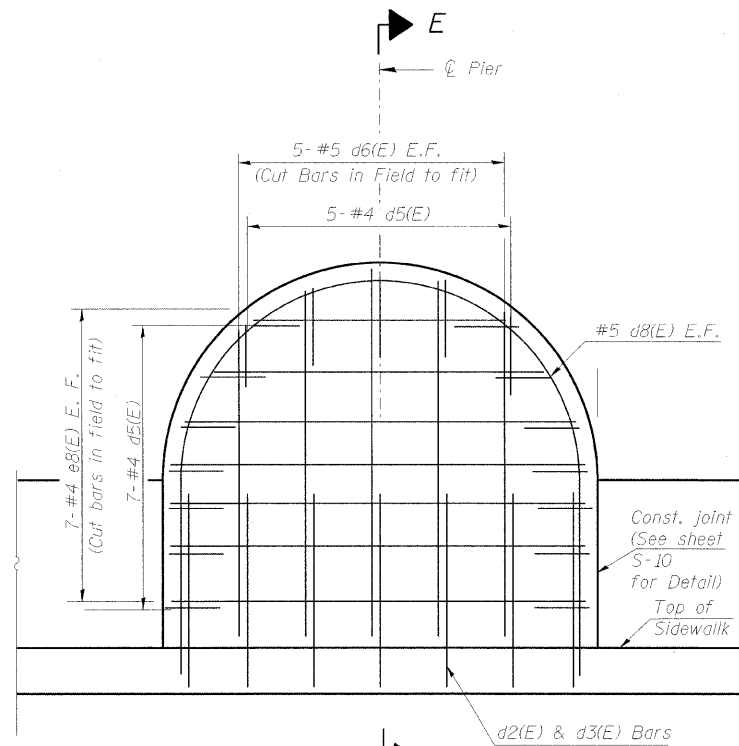
SECTION G-G
(North Parapet)



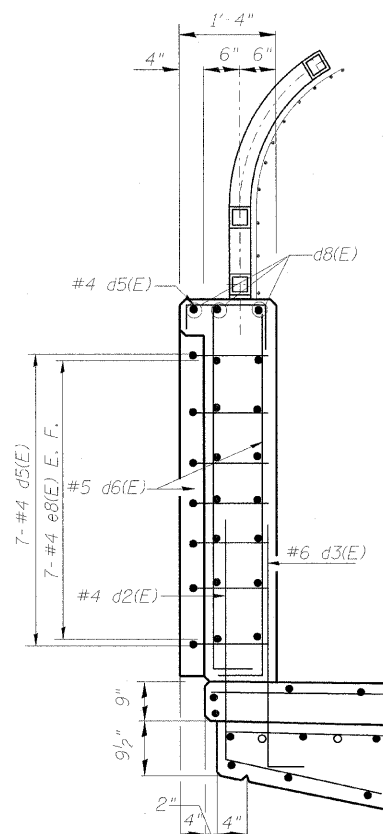
COMMUNITY ICON PARAPET ELEVATION



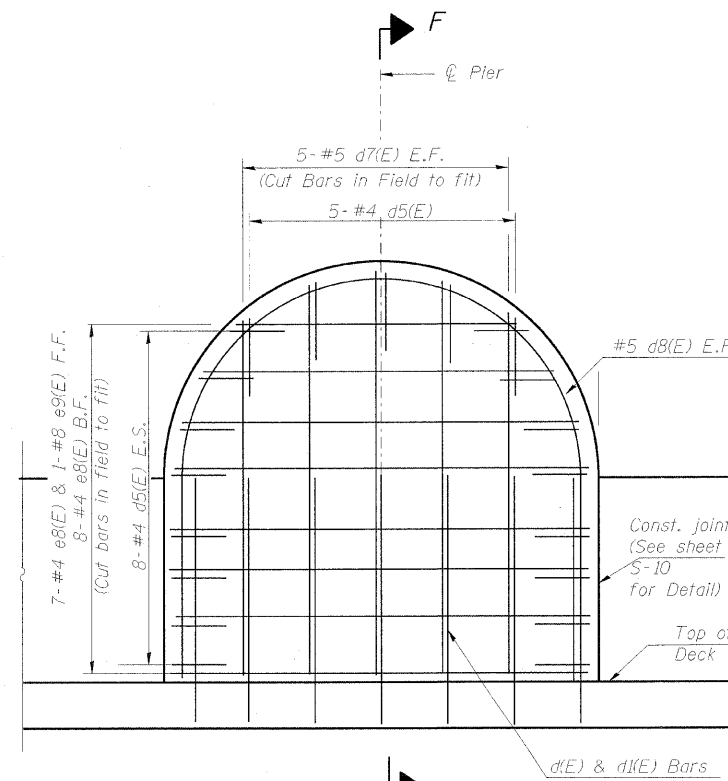
SECTION G-G
(South Parapet)



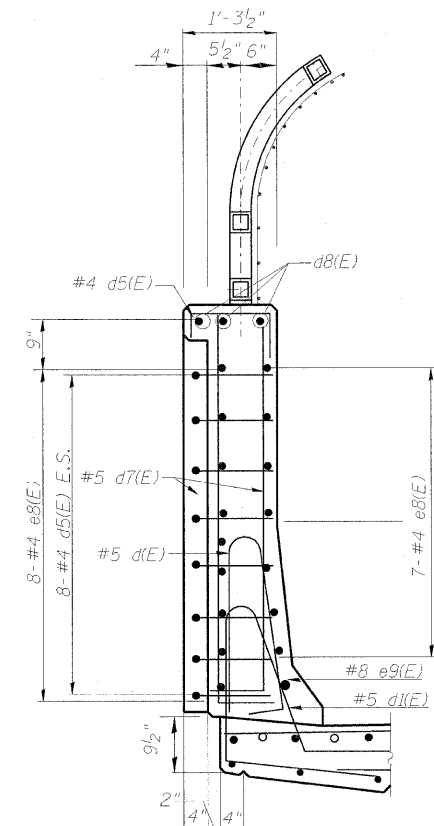
DETAIL E
(See Community Icon Parapet Elevation for dimensions)



SECTION E-E



DETAIL F
(See Community Icon Parapet Elevation for dimensions)



SECTION F-F

FILE NAME =	USER NAME = #USER#	DESIGNED - JXH	REVISED -
#FILES#		DRAWN - JHR	REVISED -
	PLOT SCALE = #SCALE#	CHECKED - CHY	REVISED -
	PLOT DATE = #DATE#	DATE - 10-09-09	REVISED -

STATE OF ILLINOIS
DEPARTMENT OF TRANSPORTATION

PARAPET DETAILS - I
EXCHANGE AVENUE OVER I-55 /70 (S.N. 082-0378)

SCALE: SHEET NO. S-12 OF S-37 SHEETS STA. TO STA.

F.A.I. RTE.	SECTION	COUNTY	TOTAL SHEETS	SHEET NO.
70	82-1-IHB	ST. CLAIR	236	171
CONTRACT NO. 76C55				
FED. ROAD DIST. NO. [ILLINOIS] FED. AID PROJECT				