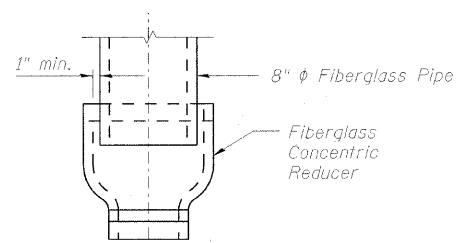
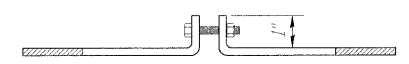


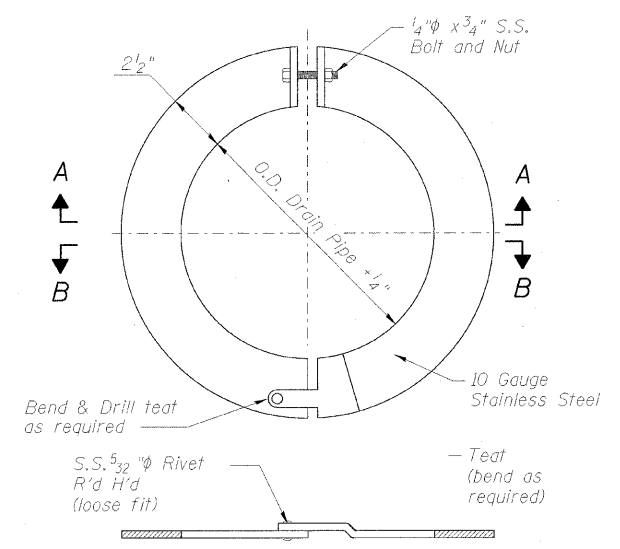
**DRAINAGE SYSTEM**  
(East Abutment Shown, West Abutment similar.)



**REDUCER DETAIL**

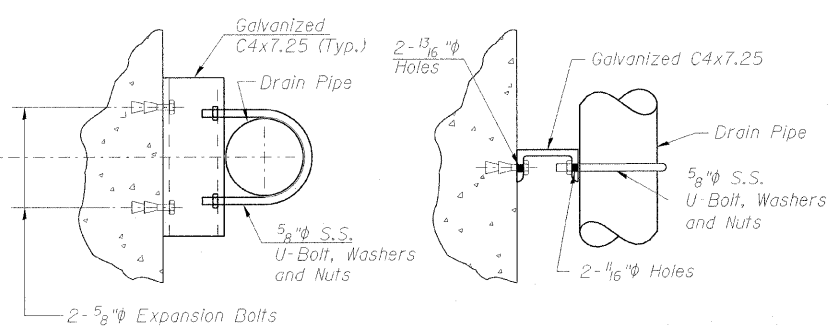


**SECTION A-A**



**SECTION B-B**

**DETAIL OF EXPANSION COLLAR**



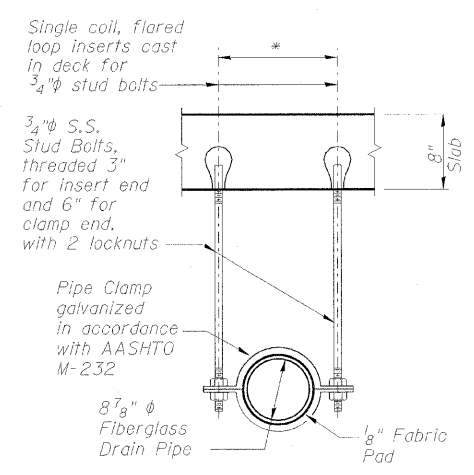
**PLAN**

**ELEVATION**

**PIPE SUPPORT DETAIL**

**BILL OF MATERIAL**

Item	Unit	Total
Drainage System	L Sum	1



**PIPE SUPPORT DETAIL**

\* Dimension as required by Pipe Clamp

- NOTES:**
1. S.S. denotes Stainless Steel.
  2. For Outlet Inv. Elevation See Roadway Plans.

FILE NAME =	USER NAME = #USER#	DESIGNED - JXH	REVISED -
*FILES#		DRAWN - JHR	REVISED -
	PLDT SCALE = #SCALE#	CHECKED - CHY	REVISED -
	PLDT DATE = #DATE#	DATE - 10-09-09	REVISED -

**STATE OF ILLINOIS**  
**DEPARTMENT OF TRANSPORTATION**

**DRAINAGE SYSTEM DETAILS**  
**EXCHANGE AVENUE OVER I-55 /70 (S.N. 082-0378)**

SCALE: SHEET NO. S-29 OF S-37 SHEETS STA. TO STA.

F.A.I. RTE.	SECTION	COUNTY	TOTAL SHEETS	SHEET NO.
70	82-1-1HB	ST. CLAIR	236	188
FED. ROAD DIST. NO.			ILLINOIS FED. AID PROJECT	
			CONTRACT NO. 76C55	